



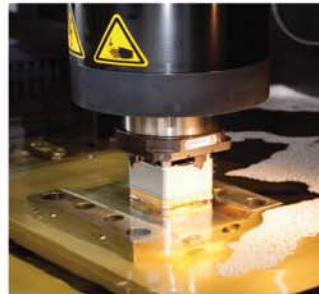
*Committed To Excellence*

## Enclosure Solutions



# 2010

## HUMMEL AG



# Product Range

- Liquid tight strain relief and conduit fittings
- Circular Connectors
- Industrial Enclosures
- Sensing and Control Devices
- Precision turned parts
- Radiator Valves and Fittings
- Installation Enclosures



To request catalog:  
[info@sealconusa.com](mailto:info@sealconusa.com)

### Cable Glands



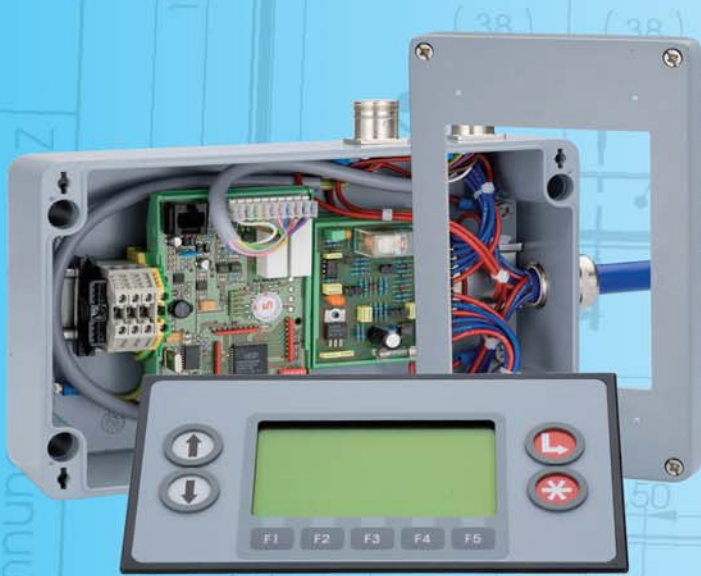
### Circular Connectors



## Customer specific Solutions

### ■ Setting Standards

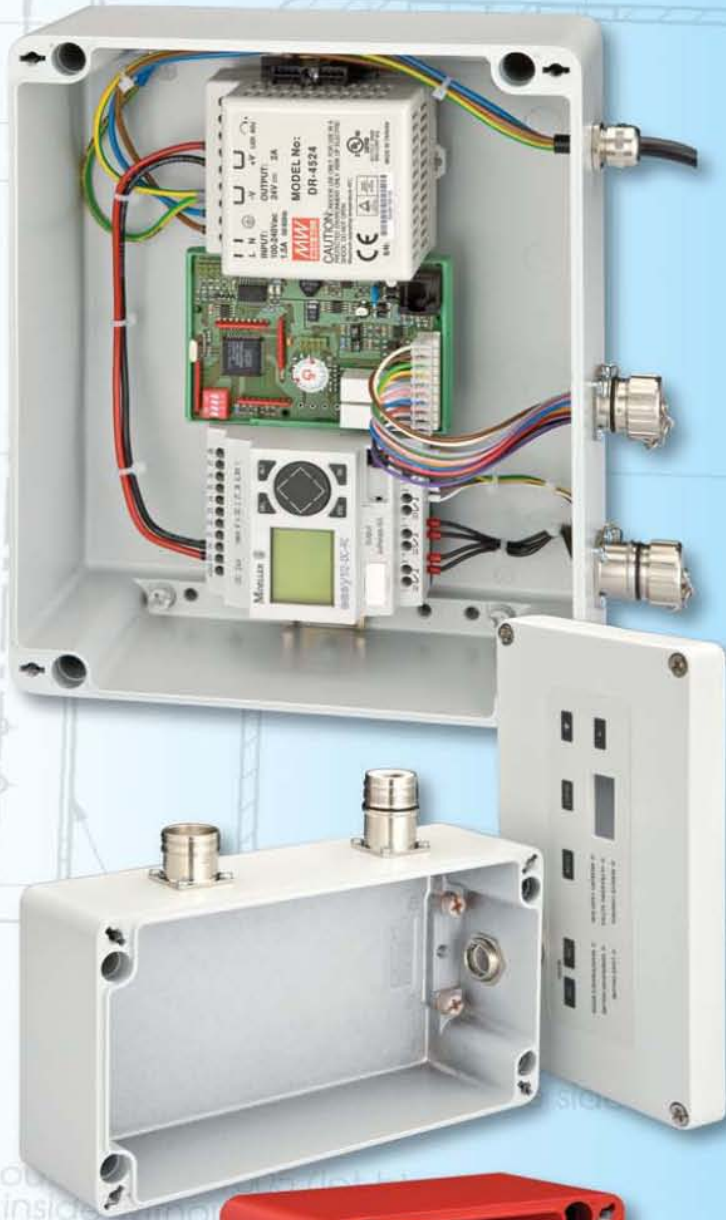
We can assist you in finding and developing the most suitable solution while simplifying the purchase process. HUMMEL enclosure solutions allow you to challenge and meet the toughest demands. We can offer know-how in:



Keep tapped hole free from paint and grease.



DETAIL X  
MABSTAB 1 : 1



SECTION B-B

SECTION A-A



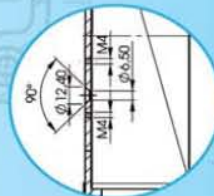
- Custom sizes



- Electronic Components



- Ex – hazardous location
- EMI/RFI shielding



- Research & Development (CAD)
- Manufacturing



- Foil Switches
- Foil and Instrument Panels



- Painting, Powder coating
- Laser engraving, silk screening

Bearb... e Blatt 2

Werkstoff	Gk-ALSI12	Oberfläche	DIN 401302	Maßstab	1:2	Benennung	Alu Gehäuse 160x260x90mm
Gewicht		Datum		Name			
Erstellt	16.07.08	Gepr.					
Norm.							

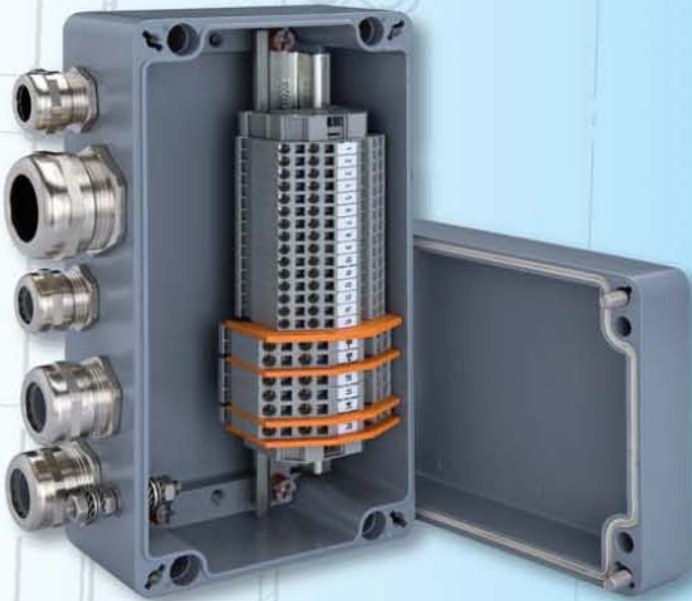
bearbeitet verschiedene Bohrungen

Telefon: 07666/91110-0    Telefax: 07666/91110-20



SECTION B-B

SECTION A-A



- Cable Strain Relief
- Corrugated Conduit



- Circular Connectors



- Terminal Blocks



- DIN-Rails
- Mounting Plates



- Hinges
- Latches



- Accessories
- Third party components customer supplied

## We customize Enclosures for you

### ■ Setting Standards

We customize Enclosures to specifications. Together we can develop solutions. Benefit from our know-how with the assistance of our CAD-services. You can take advantage of our state of the art machine facilities and years of experience in manufacturing quality metal and nylon products.

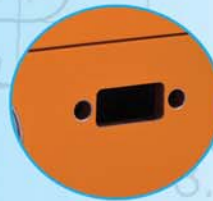
We mill and drill for you:



• Thru-holes



• Tapped holes



• Slotted holes



• Scored for knock-outs



## Setting Standards

### ■ Setting Standards...

By offering you ABS, Polycarbonate and Polyester Enclosures in standard sizes. We set standards with Steel, Stainless Steel and Aluminum Enclosures. Ask us for special sizes, EMI protected solutions or Enclosures with specific approvals.



Current tight contour must be free of paint at face side!



bearing surface on given height mill

## Solar PLUS Enclosure in PC

inside without varnish  
(paint on outer surfaces only)



## Table of Contents

### Solar PLUS Enclosure in Polycarbonate (PC)



Starting page 11

### Small Enclosures made of Polycarbonate or ABS



Starting page 13

### Mid size Enclosures made of Polycarbonate or ABS



Starting page 25

### Large Enclosures made of Polycarbonate or ABS



Starting page 37

### Wall mounted Enclosures made of Polycarbonate



Starting page 49

### Aluminium Enclosures



Starting page 59

### Enclosures of Polyester



Starting page 73

### Enclosures made of Steel



Starting page 81

### Enclosures made of Stainless Steel



Starting page 93

### Technical Information



Starting page 105

### Page Finder



page 110

### Created & Printed by

Graphic & Layout: intermedia marketing gmbh, Mozartstraße 2, 79183 Waldkirch, Germany, Tel. +49 (0) 76 81 / 4778 99-0, Fax +49 (0) 76 81 / 4778 99-27, info@intermedia-marketing.de  
Printer: Druckerei Furtwängler GmbH, 79211 Denzlingen, Germany, Tel. +49 (0) 76 66 / 13 31. Printed on recycled paper in March 2010. English 2010

## Solar PLUS Enclosure in PC

Polycarbonate Enclosures with transparent, UV protected top and standard venting are ideal in photovoltaic installations and applications with challenging environments.

Electronic components and connections to Generators, Switches, Circuit Breakers and PCB's, etc. as well as customer specific configurations are IP66/67 protected.

Technical Information		Polycarbonate
Protection EN 60529		IP 66 / 67
Impact EN 50102 (+35 °C / -25 °C)		IK 08 / IK 08
Temperature range		-50 °C...+100 °C
Fire resistance per UL 94		V-2
Standard color		Grey RAL 7035
Transparent cover		Polycarbonate
Gasket		PUR (Polyurethane)
Cover screws		Nylon



Pre-assembled Enclosures with Cable Strain Relieved Fittings, Circular Connectors and Accessories as well as customer specific solutions are available.

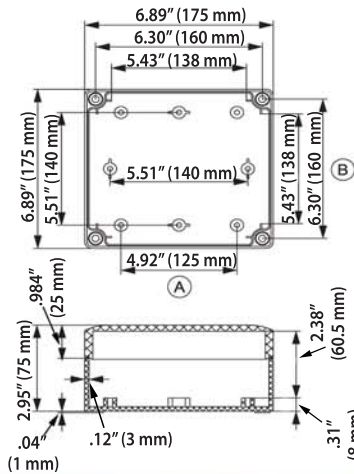
## Solar PLUS Enclosure in PC

### 6.89" x 6.89" x 2.95" (175 x 175 x 75 mm)



Polycarbonate	Part Number
Smoked glass cover with metric knockouts, A: 8 x M16, 1 x M12 C: 8 x M16, 1 x M12 Breather valve mounted	3.100.0664.57

Accessories	Part Number
Mounting plate, 1,5 mm thick, galvanized steel	3.120.0560.69
DIN Rail, DIN 35	3.120.0561.13



Assembly and machining services of your enclosures are available upon request.  
Drawings with additional dimensions can be furnished upon request.

Cover screws and assembly screws are included.

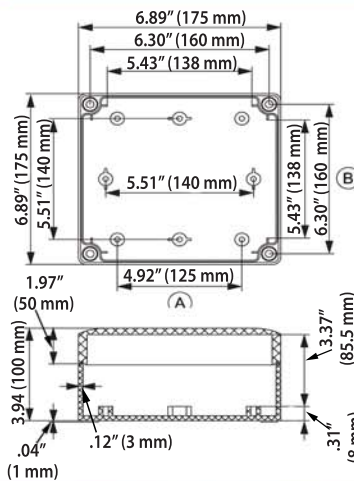
Additional accessories on page 33.

### 6.89" x 6.89" x 3.94" (175 x 175 x 100 mm)



Polycarbonate	Part Number
Smoked glass cover with metric knockouts, A: 8 x M16, 1 x M12 C: 8 x M16, 1 x M12 Breather valve mounted	3.100.0664.64

Accessories	Part Number
Mounting plate, 1,5 mm thick, galvanized steel	3.120.0560.69
DIN Rail, DIN 35	3.120.0561.13



Assembly and machining services of your enclosures are available upon request.  
Drawings with additional dimensions can be furnished upon request.

Cover screws and assembly screws are included.

Additional accessories on page 33.

# OEM Enclosures – PC or ABS

## Series 11 with plain Sides

The enclosures are manufactured using the highest grade Thermoplastics, Polycarbonate, and ABS for demanding OEM applications. e.g. protecting electronic - & pneumatic components.

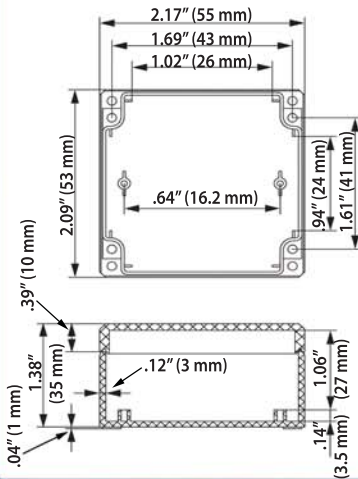
The following approved enclosures are available upon request:

Technical Information	Polycarbonate	ABS
Protection EN 60529	IP 66 / 67	IP 66 / 67
Impact EN 50102 (+35°C / -25°C)	IK 08 / IK 08	IK 07 / IK 06
Temperature range	-50°C...+100°C	-40°C...+60°C
Fire resistance per UL 94	V-2	HB
Standard color	Grey RAL 7035	Grey RAL 7035
Transparent cover	Polycarbonate	Polycarbonate
Gasket	PUR (Polyurethane)	PUR (Polyurethane)
Cover screws	Stainless steel DIN X6Cr17	Stainless steel DIN X6Cr17



## Small Enclosures made of Polycarbonate or ABS

### 2.09 x 2.17 x 1.42" (53 x 55 x 36 mm)



Polycarbonate	Part Number
Grey cover	3.110.0500.05
Transp. cover*	3.110.0500.12

ABS	Part Number
Grey cover	3.110.0500.29
Transp. cover*	3.110.0500.36

Accessories	Part Number
DIN Rail, DIN 15	3.110.0509.37

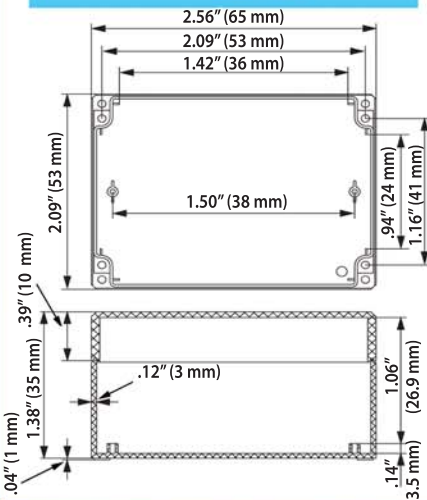


Assembly and machining services of your enclosures are available upon request. Drawings with additional dimensions can be furnished upon request.

Cover screws, assembly screws and plugs are included.  
\*Transparent cover always out of Polycarbonate

Additional accessories on page 23.

### 2.09 x 2.56 x 1.42" (53 x 65 x 36 mm)



Polycarbonate	Part Number
Grey cover	3.110.0500.43
Transp. cover*	3.110.0500.50

ABS	Part Number
Grey cover	3.110.0500.67
Transp. cover*	3.110.0500.74

Accessories	Part Number
DIN Rail, DIN 15	3.110.0509.44



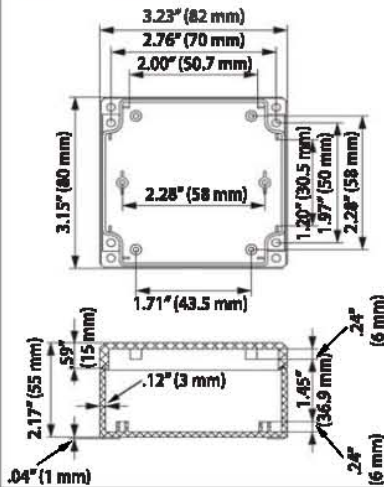
Assembly and machining services of your enclosures are available upon request. Drawings with additional dimensions can be furnished upon request.

Cover screws, assembly screws and plugs are included.  
\*Transparent cover always out of Polycarbonate

Additional accessories on page 23.

Small Enclosures made of Polycarbonate or ABS

**3.15 x 3.23 x 2.20" (80 x 82 x 56 mm)**



Polycarbonate	Part Number
Grey cover	3.110.0500.81
Transp. cover*	3.110.0500.98

Accessories	Part Number
Mounting plate, 1,5 mm thick, galvanized steel	3.110.0508.21
DIN Rail, DIN 15	3.110.0509.51
DIN Rail, DIN 35	3.110.0509.68

ABS	Part Number
Grey cover	3.110.0501.04
Transp. cover*	3.110.0501.11

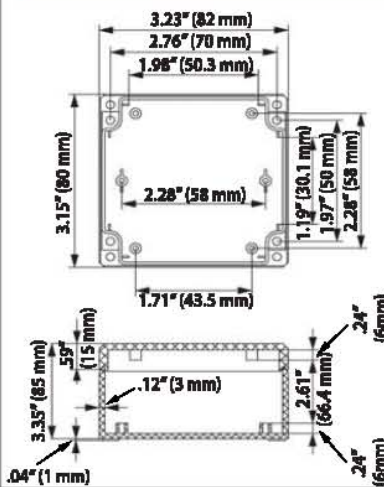


Assembly and machining services of your enclosures are available upon request. Drawings with additional dimensions can be furnished upon request.

Cover screws, assembly screws and plugs are included.  
\*Transparent cover always out of Polycarbonate

Additional accessories on page 23.

**3.15 x 3.23 x 3.39" (80 x 82 x 86 mm)**



Polycarbonate	Part Number
Grey cover	3.110.0501.28
Transp. cover*	3.110.0501.35

Accessories	Part Number
Mounting plate, 1,5 mm thick, galvanized steel	3.110.0508.21
DIN Rail, DIN 15	3.110.0509.51
DIN Rail, DIN 35	3.110.0509.68

ABS	Part Number
Grey cover	3.110.0501.42
Transp. cover*	3.110.0501.59



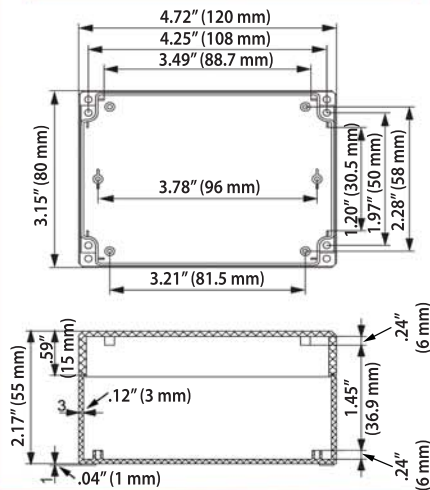
Assembly and machining services of your enclosures are available upon request. Drawings with additional dimensions can be furnished upon request.

Cover screws, assembly screws and plugs are included.  
\*Transparent cover always out of Polycarbonate

Additional accessories on page 23.

## Small Enclosures made of Polycarbonate or ABS

### 3.15 x 4.72 x 2.20" (80 x 120 x 56 mm)



Polycarbonate	Part Number
Grey cover	3.110.0501.66
Transp. cover*	3.110.0501.73

ABS	Part Number
Grey cover	3.110.0501.80
Transp. cover*	3.110.0501.97

Assembly and machining services of your enclosures are available upon request. Drawings with additional dimensions can be furnished upon request.

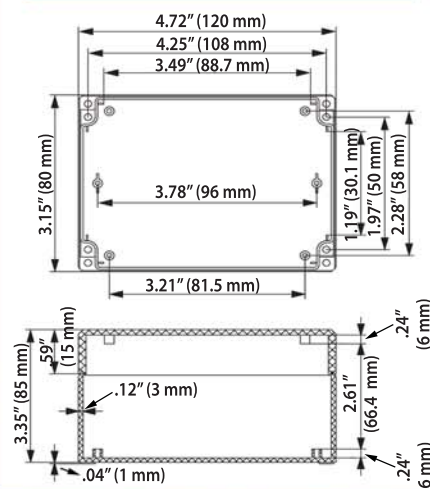
Cover screws, assembly screws and plugs are included.  
\*Transparent cover always out of Polycarbonate

Accessories	Part Number
Mounting plate, 1,5 mm thick, galvanized steel	3.110.0508.38
DIN Rail, DIN 15	3.110.0509.75
DIN Rail, DIN 35	3.110.0509.82



Additional accessories on page 23.

### 3.15 x 4.72 x 3.39" (80 x 120 x 86 mm)



Polycarbonate	Part Number
Grey cover	3.110.0502.03
Transp. cover*	3.110.0502.10

ABS	Part Number
Grey cover	3.110.0502.27
Transp. cover*	3.110.0502.34

Assembly and machining services of your enclosures are available upon request. Drawings with additional dimensions can be furnished upon request.

Cover screws, assembly screws and plugs are included.  
\*Transparent cover always out of Polycarbonate

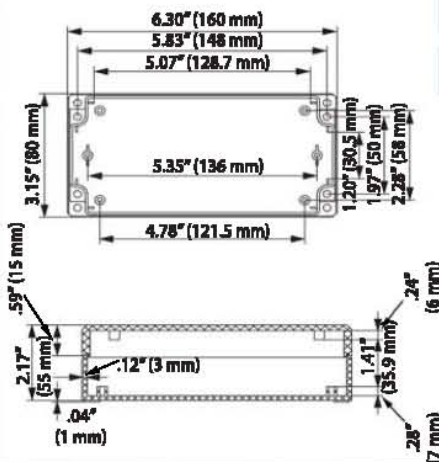
Accessories	Part Number
Mounting plate, 1,5 mm thick, galvanized steel	3.110.0508.38
DIN Rail, DIN 15	3.110.0509.75
DIN Rail, DIN 35	3.110.0509.82



Additional accessories on page 23.

Small Enclosures made of Polycarbonate or ABS

**3.15 x 6.30 x 2.20" (80 x 160 x 56 mm)**



Material	Part Number
Polycarbonate	
Grey cover	3.110.0502.41
Transp. cover*	3.110.0502.58
ABS	
Grey cover	3.110.0502.65
Transp. cover*	3.110.0502.72

Accessories	Part Number
Mounting plate, 1,5 mm thick, galvanized steel	3.110.0508.45
DIN Rail, DIN 15	3.110.0509.99
DIN Rail, DIN 35	3.110.0510.02

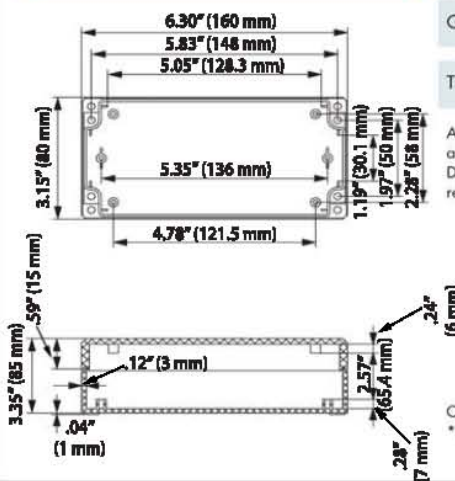
Assembly and machining services of your enclosures are available upon request. Drawings with additional dimensions can be furnished upon request.



Cover screws, assembly screws and plugs are included.  
\*Transparent cover always out of Polycarbonate

Additional accessories on page 23.

**3.15 x 6.30 x 3.39" (80 x 160 x 86 mm)**



Material	Part Number
Polycarbonate	
Grey cover	3.110.0502.89
Transp. cover*	3.110.0502.96
ABS	
Grey cover	3.110.0503.02
Transp. cover*	3.110.0503.19

Accessories	Part Number
Mounting plate, 1,5 mm thick, galvanized steel	3.110.0508.45
DIN Rail, DIN 15	3.110.0509.99
DIN Rail, DIN 35	3.110.0510.02

Assembly and machining services of your enclosures are available upon request. Drawings with additional dimensions can be furnished upon request.

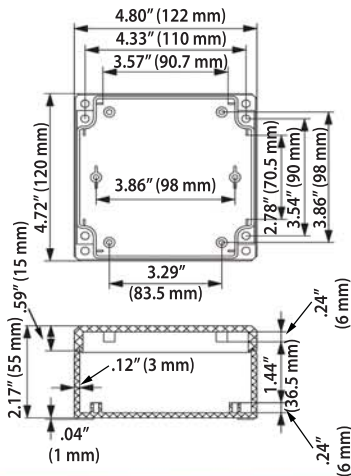


Cover screws, assembly screws and plugs are included.  
\*Transparent cover always out of Polycarbonate

Additional accessories on page 23.

## Small Enclosures made of Polycarbonate or ABS

### 4.72 x 4.80 x 2.20" (120 x 122 x 56 mm)



Polycarbonate	Part Number
Grey cover	3.110.0503.26
Transp. cover*	3.110.0503.33

ABS	Part Number
Grey cover	3.110.0503.40
Transp. cover*	3.110.0503.57

Accessories	Part Number
Mounting plate, 1,5 mm thick, galvanized steel	3.110.0508.52
DIN Rail, DIN 15	3.110.0509.75
DIN Rail, DIN 35	3.110.0509.82

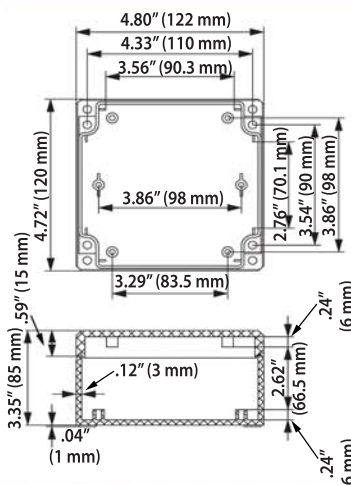
Assembly and machining services of your enclosures are available upon request. Drawings with additional dimensions can be furnished upon request.



Cover screws, assembly screws and plugs are included.  
\*Transparent cover always out of Polycarbonate

Additional accessories on page 23.

### 4.72 x 4.80 x 3.39" (120 x 122 x 86 mm)

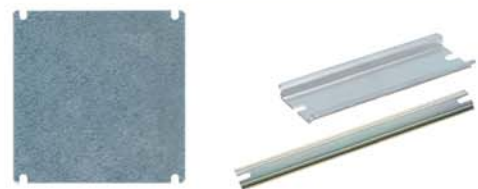


Polycarbonate	Part Number
Grey cover	3.110.0503.64
Transp. cover*	3.110.0503.71

ABS	Part Number
Grey cover	3.110.0503.88
Transp. cover*	3.110.0503.95

Accessories	Part Number
Mounting plate, 1,5 mm thick, galvanized steel	3.110.0508.52
DIN Rail, DIN 15	3.110.0509.75
DIN Rail, DIN 35	3.110.0509.82

Assembly and machining services of your enclosures are available upon request. Drawings with additional dimensions can be furnished upon request.

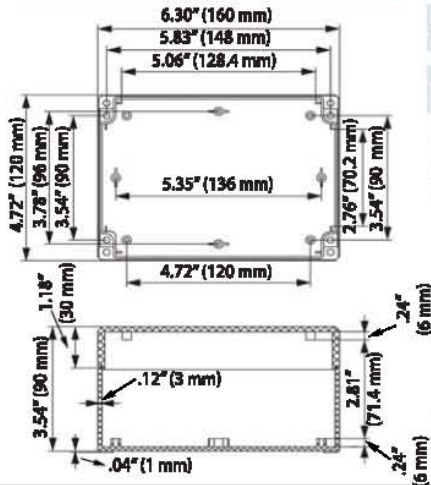


Cover screws, assembly screws and plugs are included.  
\*Transparent cover always out of Polycarbonate

Additional accessories on page 23.

Small Enclosures made of Polycarbonate or ABS

**4.72 x 6.30 x 3.58" (120 x 160 x 91 mm)**



Polycarbonate	Part Number
Grey cover	3.110.0504.01
Transp. cover*	3.110.0504.18

ABS	Part Number
Grey cover	3.110.0504.25
Transp. cover*	3.110.0504.32

Accessories	Part Number
Mounting plate, 1,5 mm thick, galvanized steel	3.110.0508.69
DIN Rail, DIN 15	3.110.0509.99
DIN Rail, DIN 35	3.110.0510.02

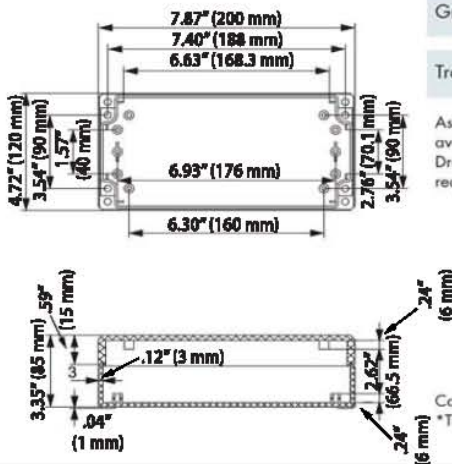


Assembly and machining services of your enclosures are available upon request. Drawings with additional dimensions can be furnished upon request.

Cover screws, assembly screws and plugs are included.  
\*Transparent cover always out of Polycarbonate

Additional accessories on page 23.

**4.72 x 7.87 x 3.39" (120 x 200 x 86 mm)**



Polycarbonate	Part Number
Grey cover	3.110.0504.87
Transp. cover*	3.110.0504.94

ABS	Part Number
Grey cover	3.110.0505.00
Transp. cover*	3.110.0505.17

Accessories	Part Number
Mounting plate, 1,5 mm thick, galvanized steel	3.110.0508.76
DIN Rail, DIN 35	3.110.0510.57



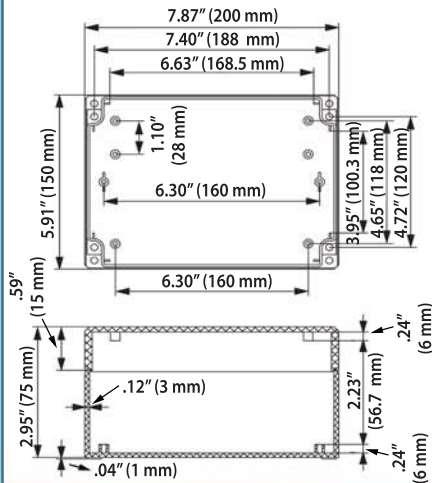
Assembly and machining services of your enclosures are available upon request. Drawings with additional dimensions can be furnished upon request.

Cover screws, assembly screws and plugs are included.  
\*Transparent cover always out of Polycarbonate

Additional accessories on page 23.

## Small Enclosures made of Polycarbonate or ABS

### 5.91 x 7.87 x 2.99" (150 x 200 x 76 mm)



#### Polycarbonate Part Number

Grey cover	3.110.0505.62
Transp. cover*	3.110.0505.79

#### ABS Part Number

Grey cover	3.110.0505.86
Transp. cover*	3.110.0505.93

#### Accessories Part Number

Mounting plate, 1,5 mm thick, galvanized steel	3.110.0508.90
DIN Rail, DIN 35	3.110.0510.71

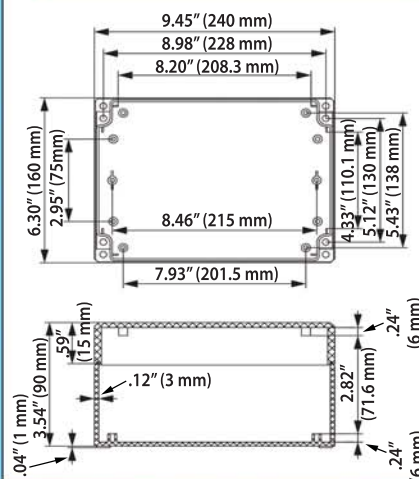


Assembly and machining services of your enclosures are available upon request.  
Drawings with additional dimensions can be furnished upon request.

Cover screws, assembly screws and plugs are included.  
\*Transparent cover always out of Polycarbonate

Additional accessories on page 23.

### 6.30 x 9.45 x 3.58" (160 x 240 x 91 mm)



#### Polycarbonate Part Number

Grey cover	3.110.0506.09
Transp. cover*	3.110.0506.16

#### ABS Part Number

Grey cover	3.110.0506.23
Transp. cover*	3.110.0506.30

#### Accessories Part Number

Mounting plate, 1,5 mm thick, galvanized steel	3.110.0509.06
DIN Rail, DIN 35	3.110.0561.20



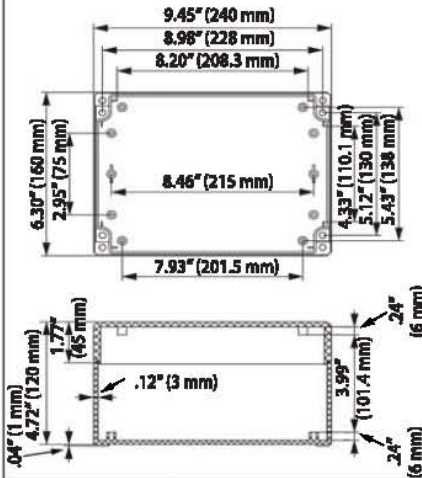
Assembly and machining services of your enclosures are available upon request.  
Drawings with additional dimensions can be furnished upon request.

Cover screws, assembly screws and plugs are included.  
\*Transparent cover always out of Polycarbonate

Additional accessories on page 23.

Small Enclosures made of Polycarbonate or ABS

**6.30 x 9.45 x 4.76" (160 x 240 x 121 mm)**



Material	Part Number
<b>Polycarbonate</b>	
Grey cover	3.110.0506.47
Transp. cover*	3.110.0506.54
<b>ABS</b>	
Grey cover	3.110.0506.61
Transp. cover*	3.110.0506.78

Accessories	Part Number
Mounting plate, 1,5 mm thick, galvanized steel	3.110.0509.06
DIN Rail, DIN 35	3.110.0561.20

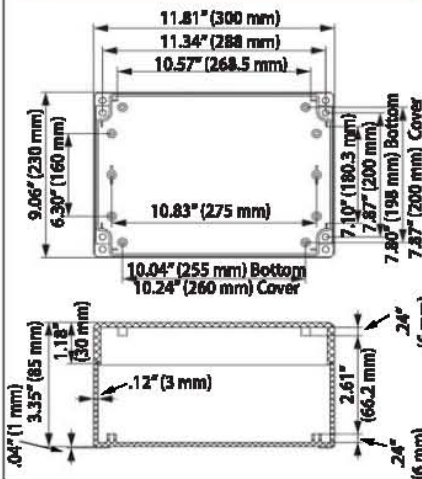


Assembly and machining services of your enclosures are available upon request. Drawings with additional dimensions can be furnished upon request.

Cover screws, assembly screws and plugs are included.  
\*Transparent cover always out of Polycarbonate

Additional accessories on page 23.

**9.06 x 11.81 x 3.39" (230 x 300 x 86 mm)**



Material	Part Number
<b>Polycarbonate</b>	
Grey cover	3.110.0507.22
Transp. cover*	3.110.0507.39
<b>ABS</b>	
Grey cover	3.110.0507.46
Transp. cover*	3.110.0507.53

Accessories	Part Number
Mounting plate, 1,5 mm thick, galvanized steel	3.110.0509.20
DIN Rail, DIN 35	3.110.0511.01



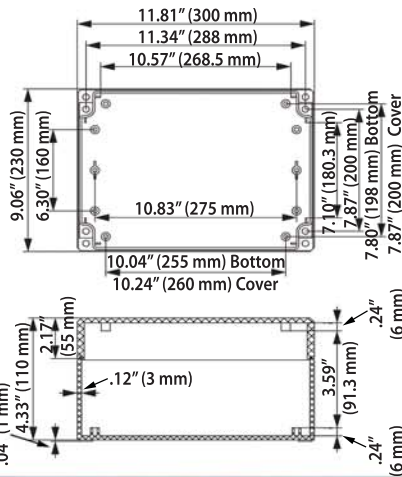
Assembly and machining services of your enclosures are available upon request. Drawings with additional dimensions can be furnished upon request.

Cover screws, assembly screws and plugs are included.  
\*Transparent cover always out of Polycarbonate

Additional accessories on page 23.

## Small Enclosures made of Polycarbonate or ABS

### 9.06 x 11.81 x 4.37" (230 x 300 x 111 mm)



Polycarbonate	Part Number
Grey cover	3.110.0507.60
Transp. cover*	3.110.0507.77

ABS	Part Number
Grey cover	3.110.0507.84
Transp. cover*	3.110.0507.91

Accessories	Part Number
Mounting plate, 1,5 mm thick, galvanized steel	3.110.0509.20
DIN Rail, DIN 35	3.110.0511.01



Assembly and machining services of your enclosures are available upon request. Drawings with additional dimensions can be furnished upon request.

Cover screws, assembly screws and plugs are included.  
\*Transparent cover always out of Polycarbonate

Additional accessories on page 23.



Accessories for Series 11.

**Accessories**

Hinges	Size inches (mm)	Part Number
Pair, polycarbonate	1.10 x 1.10 x .39" (28 x 28 x 10 mm)	3.811.0561.44

**Accessories**

Outside Latches	Size inches (mm)	Part Number
Set, polycarbonate	1.30 x .83 x .37" (33 x 21 x 9.5 mm)	3.811.0511.25

**Accessories**

Cover Plugs	Size inches (mm)	Part Number
Set, polycarbonate	.12 x .71" (3 x 18 mm)	3.811.0511.49

**Accessories**

Cover Screws	Size inches (mm)	Part Number
Cover screws, short	.12 x .71" (3 x 18 mm)	3.811.0511.63
Cover screws, set incl. 4 cover screws and 4 mounting screws	.12 x .71" (3 x 18 mm)	3.811.0512.93
Cover screws, set incl. 6 cover screws and 4 mounting screws	.12 x .71" (3 x 18 mm)	3.811.0513.09
Cover screws, long for over 100 mm deep model	.12 x 1.97" (3 x 50 mm)	3.811.0512.79
Cover screws, TORX	.12 x .71" (3 x 18 mm)	3.811.0512.86

**Accessories**

Mounting Screws	Size inches (mm)	Part Number
Mounting Screws	.12 x .28" (3 x 7 mm)	3.811.0511.56

Setting Standards

## Did you know ...

### ...that HUMMEL produces custom milled and turned parts?

We produce custom turned and milled parts according to your drawings particularly specializing in the Electro, HVAC, Automation and Safety industries.

**Materials:**

- Alloy Steel
- Brass
- Aluminum
- Nickel Silver Steel
- Automatic Screw Machine Steel



**CHALLENGE US!**



### High precision and quality products



# OEM Enclosures – PC or ABS

Series 12 with plain Sides and metric or PG Knockouts

Manufactured from high performance Thermoplastic, Polycarbonate or ABS. These Enclosures are suitable for demanding OEM applications, e.g. for the protection of electronic and pneumatic components.

This series includes small and medium sized universal Enclosures made of Polycarbonate with metric or PG knockouts. The Enclosures are available in increments of 25 mm (1"), e.g. 75 x 125 x 75 to 175 x 250 x 150 mm.

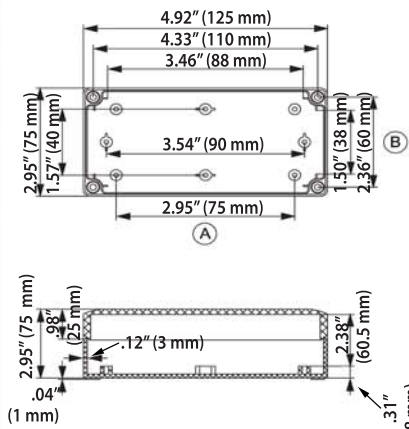
The following approved Enclosures are available upon request:

Technical Information	Polycarbonate	ABS
Protection EN 60529	IP 66 / 67	IP 66 / 67
Impact EN 50102 (+35 °C / -25 °C)	IK 08 / IK 08	IK 07 / IK 06
Temperature range	-50 °C...+100 °C	-40 °C...+60 °C
Fire resistance per UL 94	V-2	HB
Standard color	Grey RAL 7035	Grey RAL 7035
Transparent cover	Polycarbonate	Polycarbonate
Gasket	PUR (Polyurethane)	PUR (Polyurethane)
Cover screws	Nylon	Nylon



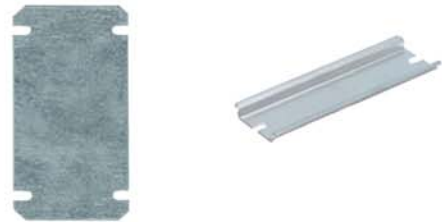
## Mid size Enclosures made of Polycarbonate or ABS

### 2.95 x 4.92 x 2.95" (75 x 125 x 75 mm)



Polycarbonate	Part Number
Grey cover, plain sides	3.120.0550.31
Grey cover, metric knockouts, A: 3 x ø 12 mm / 20 mm B: 1 x ø 16 mm / 25 mm	3.120.0663.58
Grey cover, PG knockouts, A: 3 x PG 9 / PG 13,5 B: 1 x PG 9 / PG 13,5	3.120.0550.00
Transp. cover*, plain sides	3.120.0550.24
Transp. cover*, metric knockouts, A: 3 x ø 12 mm / 20 mm B: 1 x ø 16 mm / 25 mm	3.120.0665.25
Transp. cover*, PG knockouts, A: 3 x PG 9 / PG 13,5 B: 1 x PG 9 / PG 13,5	3.120.0550.17

Accessories	Part Number
Mounting plate, 1,5 mm thick, galvanized steel	3.120.0560.38
DIN Rail, DIN 35, short side	3.120.0560.90
DIN Rail, DIN 35, long side	3.120.0561.06

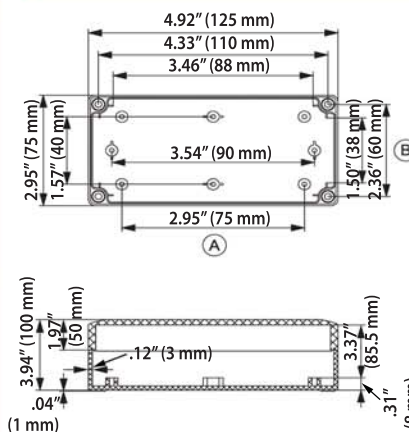


ABS	Part Number
Grey cover, plain sides	3.120.0550.48
Transp. cover*, plain sides	3.120.0550.55

Assembly and machining services of your enclosures are available upon request.  
Drawings with additional dimensions can be furnished upon request.  
Cover screws and assembly screws are included.  
\*Transparent cover always out of Polycarbonate

Additional accessories on page 35.

### 2.95 x 4.92 x 3.94" (75 x 125 x 100 mm)



Polycarbonate	Part Number
Grey cover, plain sides	3.120.0550.86
Grey cover, metric knockouts, A: 3 x ø 12 mm / 20 mm B: 1 x ø 16 mm / 25 mm	3.120.0663.65
Grey cover, PG knockouts, A: 3 x PG 9 / PG 13,5 B: 1 x PG 9 / PG 13,5	3.120.0550.62
Transp. cover*, plain sides	3.120.0550.93
Transp. cover*, metric knockouts, A: 3 x ø 12 mm / 20 mm B: 1 x ø 16 mm / 25 mm	3.120.0665.32
Transp. cover*, PG knockouts, A: 3 x PG 9 / PG 13,5 B: 1 x PG 9 / PG 13,5	3.120.0550.79

Accessories	Part Number
Mounting plate, 1,5 mm thick, galvanized steel	3.120.0560.38
DIN Rail, DIN 35, short side	3.120.0560.90
DIN Rail, DIN 35, long side	3.120.0561.06



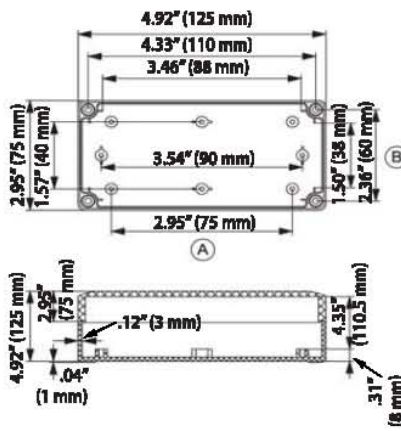
ABS	Part Number
Grey cover, plain sides	3.120.0551.09
Transp. cover*, plain sides	3.120.0551.16

Assembly and machining services of your enclosures are available upon request.  
Drawings with additional dimensions can be furnished upon request.  
Cover screws and assembly screws are included.  
\*Transparent cover always out of Polycarbonate

Additional accessories on page 35.

Mid size Enclosures made of Polycarbonate or ABS

**2.95 x 4.92 x 4.92" (75 x 125 x 125 mm)**



Polycarbonate	Part Number
Grey cover, plain sides	3.120.0551.47
Grey cover, metric knockouts, A: 3 x ø 12 mm / 20 mm B: 1 x ø 16 mm / 25 mm	3.120.0663.72
Grey cover, PG knockouts, A: 3 x PG 9 / PG 13,5 B: 1 x PG 9 / PG 13,5	3.120.0551.23
Transp. cover*, plain sides	3.120.0551.54
Transp. cover*, metric knockouts, A: 3 x ø 12 mm / 20 mm B: 1 x ø 16 mm / 25 mm	3.120.0665.49
Transp. cover*, PG knockouts, A: 3 x PG 9 / PG 13,5 B: 1 x PG 9 / PG 13,5	3.120.0551.30

Accessories	Part Number
Mounting plate, 1,5 mm thick, galvanized steel	3.120.0560.38
DIN Rail, DIN 35, short side	3.120.0560.90
DIN Rail, DIN 35, long side	3.120.0561.06

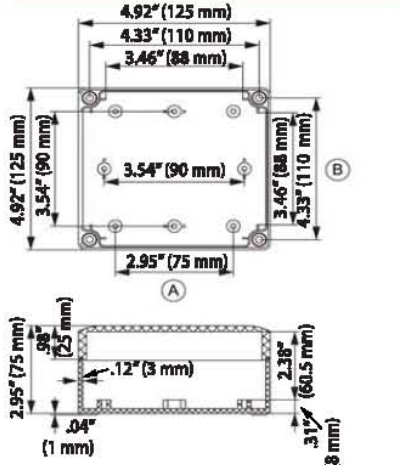


ABS	Part Number
Grey cover, plain sides	3.120.0551.61
Transp. cover*, plain sides	3.120.0551.78

Assembly and machining services of your enclosures are available upon request.  
Drawings with additional dimensions can be furnished upon request.  
Cover screws and assembly screws are included.  
\*Transparent cover always out of Polycarbonate

Additional accessories on page 35.

**4.92 x 4.92 x 2.95" (125 x 125 x 75 mm)**



Polycarbonate	Part Number
Grey cover, plain sides	3.120.0552.08
Grey cover, metric knockouts, A: 3 x ø 12 mm / 20 mm B: 2 x ø 16 mm / 25 mm	3.120.0663.89
Grey cover, PG knockouts, A: 3 x PG 9 / PG 13,5 B: 2 x PG 16 / PG 21	3.120.0551.85
Transp. cover*, plain sides	3.120.0552.15
Transp. cover*, metric knockouts, A: 3 x ø 12 mm / 20 mm B: 2 x ø 16 mm / 25 mm	3.120.0665.56
Transp. cover*, PG knockouts, A: 3 x PG 9 / PG 13,5 B: 2 x PG 16 / PG 21	3.120.0551.92

Accessories	Part Number
Mounting plate, 1,5 mm thick, galvanized steel	3.120.0560.45
DIN Rail, DIN 35	3.120.0561.06



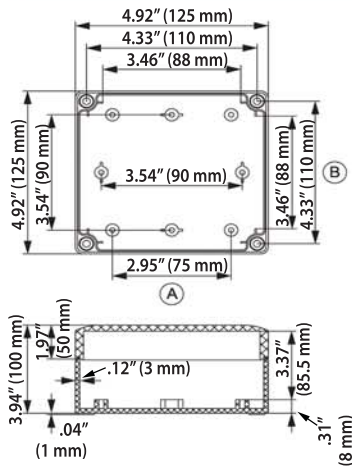
ABS	Part Number
Grey cover, plain sides	3.120.0552.22
Transp. cover*, plain sides	3.120.0552.39

Assembly and machining services of your enclosures are available upon request.  
Drawings with additional dimensions can be furnished upon request.  
Cover screws and assembly screws are included.  
\*Transparent cover always out of Polycarbonate

Additional accessories on page 35.

## Mid size Enclosures made of Polycarbonate or ABS

### 4.92 x 4.92 x 3.94" (125 x 125 x 100 mm)



Polycarbonate	Part Number
Grey cover, plain sides	3.120.0552.60
Grey cover, metric knockouts, A: 3 x $\varnothing$ 12 mm / 20 mm B: 2 x $\varnothing$ 16 mm / 25 mm	3.120.0663.96
Grey cover, PG knockouts, A: 3 x PG 9 / PG 13,5 B: 2 x PG 16 / PG 21	3.120.0552.46
Transp. cover*, plain sides	3.120.0552.77
Transp. cover*, metric knockouts, A: 3 x $\varnothing$ 12 mm / 20 mm B: 2 x $\varnothing$ 16 mm / 25 mm	3.120.0665.63
Transp. cover*, PG knockouts, A: 3 x PG 9 / PG 13,5 B: 2 x PG 16 / PG 21	3.120.0552.53

Accessories	Part Number
Mounting plate, 1,5 mm thick, galvanized steel	3.120.0560.45
DIN Rail, DIN 35	3.120.0561.06

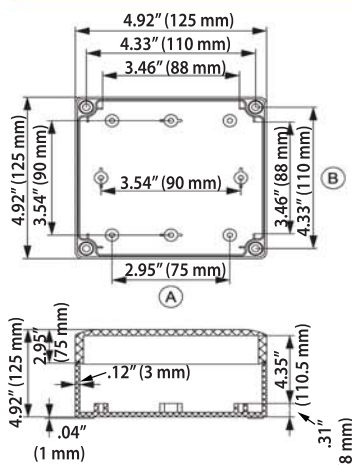


ABS	Part Number
Grey cover, plain sides	3.120.0552.84
Transp. cover*, plain sides	3.120.0552.91

Assembly and machining services of your enclosures are available upon request.  
Drawings with additional dimensions can be furnished upon request.  
Cover screws and assembly screws are included.  
\*Transparent cover always out of Polycarbonate

Additional accessories on page 35.

### 4.92 x 4.92 x 4.92" (125 x 125 x 125 mm)



Polycarbonate	Part Number
Grey cover, plain sides	3.120.0553.21
Grey cover, metric knockouts, A: 3 x $\varnothing$ 12 mm / 20 mm B: 2 x $\varnothing$ 16 mm / 25 mm	3.120.0664.02
Grey cover, PG knockouts, A: 3 x PG 9 / PG 13,5 B: 2 x PG 16 / PG 21	3.120.0553.07
Transp. cover*, plain sides	3.120.0553.38
Transp. cover*, metric knockouts, A: 3 x $\varnothing$ 12 mm / 20 mm B: 2 x $\varnothing$ 16 mm / 25 mm	3.120.0665.70
Transp. cover*, PG knockouts, A: 3 x PG 9 / PG 13,5 B: 2 x PG 16 / PG 21	3.120.0553.14

Accessories	Part Number
Mounting plate, 1,5 mm thick, galvanized steel	3.120.0560.45
DIN Rail, DIN 35	3.120.0561.06



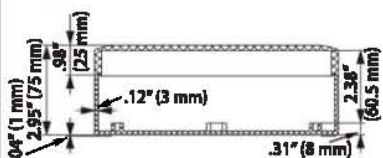
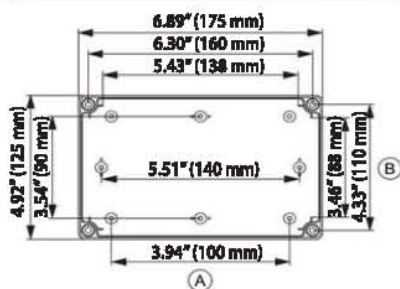
ABS	Part Number
Grey cover, plain sides	3.120.0553.45
Transp. cover*, plain sides	3.120.0553.52

Assembly and machining services of your enclosures are available upon request.  
Drawings with additional dimensions can be furnished upon request.  
Cover screws and assembly screws are included.  
\*Transparent cover always out of Polycarbonate

Additional accessories on page 35.

Mid size Enclosures made of Polycarbonate or ABS

**4.92 x 6.89 x 2.95" (125 x 175 x 75 mm)**



Polycarbonate	Part Number
Grey cover, plain sides	3.120.0553.83
Grey cover, metric knockouts, A: 4 x ø 12 mm / 20 mm B: 2 x ø 16 mm / 25 mm	3.120.0664.19
Grey cover, PG knockouts, A: 4 x PG 9 / PG 13,5 B: 2 x PG 16 / PG 21	3.120.0553.69
Transp. cover*, plain sides	3.120.0553.90
Transp. cover*, metric knockouts, A: 4 x ø 12 mm / 20 mm B: 2 x ø 16 mm / 25 mm	3.120.0665.87
Transp. cover*, PG knockouts, A: 4 x PG 9 / PG 13,5 B: 2 x PG 16 / PG 21	3.120.0553.76

Accessories	Part Number
Mounting plate, 1,5 mm thick, galvanized steel	3.120.0560.52
DIN Rail, DIN 35, short side	3.120.0561.06
DIN Rail, DIN 35, long side	3.120.0561.13

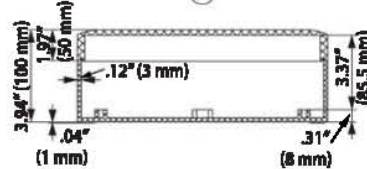
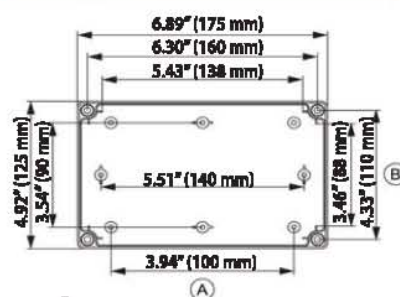


ABS	Part Number
Grey cover, plain sides	3.120.0554.06
Transp. cover*, plain sides	3.120.0554.13

Assembly and machining services of your enclosures are available upon request.  
 Drawings with additional dimensions can be furnished upon request.  
 Cover screws and assembly screws are included.  
 \*Transparent cover always out of Polycarbonate

Additional accessories on page 35.

**4.92 x 6.89 x 3.94" (125 x 175 x 100 mm)**



Polycarbonate	Part Number
Grey cover, plain sides	3.120.0554.44
Grey cover, metric knockouts, A: 4 x ø 12 mm / 20 mm B: 2 x ø 16 mm / 25 mm	3.120.0664.26
Grey cover, PG knockouts, A: 4 x PG 9 / PG 13,5 B: 2 x PG 16 / PG 21	3.120.0554.20
Transp. cover*, plain sides	3.120.0554.51
Transp. cover*, metric knockouts, A: 4 x ø 12 mm / 20 mm B: 2 x ø 16 mm / 25 mm	3.120.0665.94
Transp. cover*, PG knockouts, A: 4 x PG 9 / PG 13,5 B: 2 x PG 16 / PG 21	3.120.0554.37

Accessories	Part Number
Mounting plate, 1,5 mm thick, galvanized steel	3.120.0560.52
DIN Rail, DIN 35, short side	3.120.0561.06
DIN Rail, DIN 35, long side	3.120.0561.13



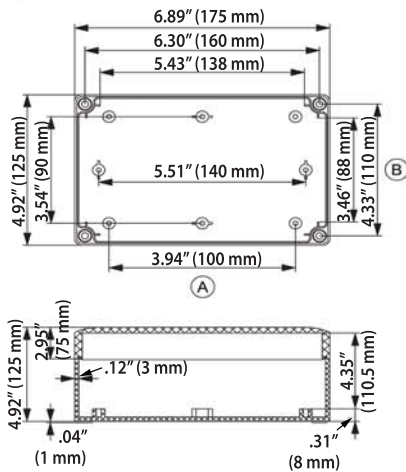
ABS	Part Number
Grey cover, plain sides	3.120.0554.68
Transp. cover*, plain sides	3.120.0554.75

Assembly and machining services of your enclosures are available upon request.  
 Drawings with additional dimensions can be furnished upon request.  
 Cover screws and assembly screws are included.  
 \*Transparent cover always out of Polycarbonate

Additional accessories on page 35.

## Mid size Enclosures made of Polycarbonate or ABS

### 4.92 x 6.89 x 4.92" (125 x 175 x 125 mm)



Polycarbonate	Part Number
Grey cover, plain sides	3.120.0555.05
Grey cover, metric knockouts, A: 4 x ø 12 mm / 20 mm B: 2 x ø 16 mm / 25 mm	3.120.0664.33
Grey cover, PG knockouts, A: 4 x PG 9 / PG 13,5 B: 2 x PG 16 / PG 21	3.120.0554.82
Transp. cover*, plain sides	3.120.0555.12
Transp. cover*, metric knockouts, A: 4 x ø 12 mm / 20 mm B: 2 x ø 16 mm / 25 mm	3.120.0666.00
Transp. cover*, PG knockouts, A: 4 x PG 9 / PG 13,5 B: 2 x PG 16 / PG 21	3.120.0554.99

Accessories	Part Number
Mounting plate, 1,5 mm thick, galvanized steel	3.120.0560.52
DIN Rail, DIN 35, short side	3.120.0561.06
DIN Rail, DIN 35, long side	3.120.0561.13

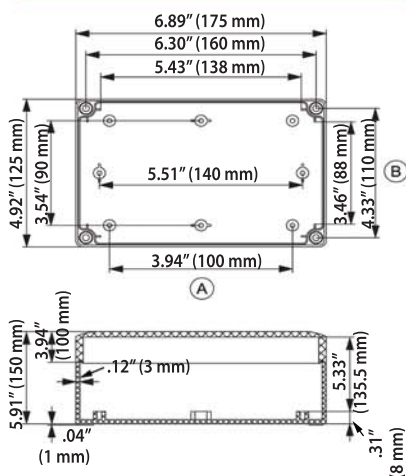


ABS	Part Number
Grey cover, plain sides	3.120.0555.29
Transp. cover*, plain sides	3.120.0555.36

Assembly and machining services of your enclosures are available upon request.  
Drawings with additional dimensions can be furnished upon request.  
Cover screws and assembly screws are included.  
\*Transparent cover always out of Polycarbonate

Additional accessories on page 35.

### 4.92 x 6.89 x 5.91" (125 x 175 x 150 mm)



Polycarbonate	Part Number
Grey cover, plain sides	3.120.0555.67
Grey cover, metric knockouts, A: 4 x ø 12 mm / 20 mm B: 2 x ø 16 mm / 25 mm	3.120.0664.40
Grey cover, PG knockouts, A: 4 x PG 9 / PG 13,5 B: 2 x PG 16 / PG 21	3.120.0555.43
Transp. cover*, plain sides	3.120.0555.74
Transp. cover*, metric knockouts, A: 4 x ø 12 mm / 20 mm B: 2 x ø 16 mm / 25 mm	3.120.0666.17
Transp. cover*, PG knockouts, A: 4 x PG 9 / PG 13,5 B: 2 x PG 16 / PG 21	3.120.0555.50

Accessories	Part Number
Mounting plate, 1,5 mm thick, galvanized steel	3.120.0560.52
DIN Rail, DIN 35, short side	3.120.0561.06
DIN Rail, DIN 35, long side	3.120.0561.13



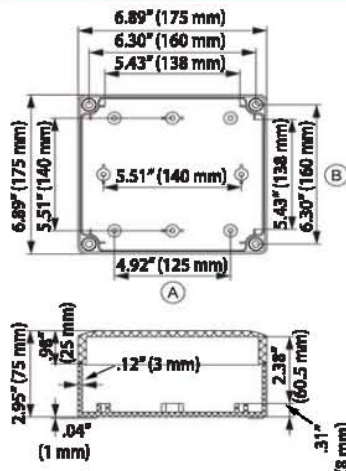
ABS	Part Number
Grey cover, plain sides	3.120.0555.81
Transp. cover*, plain sides	3.120.0555.98

Assembly and machining services of your enclosures are available upon request.  
Drawings with additional dimensions can be furnished upon request.  
Cover screws and assembly screws are included.  
\*Transparent cover always out of Polycarbonate

Additional accessories on page 35.

Mid size Enclosures made of Polycarbonate or ABS

**6.89 x 6.89 x 2.95" (175 x 175 x 75 mm)**

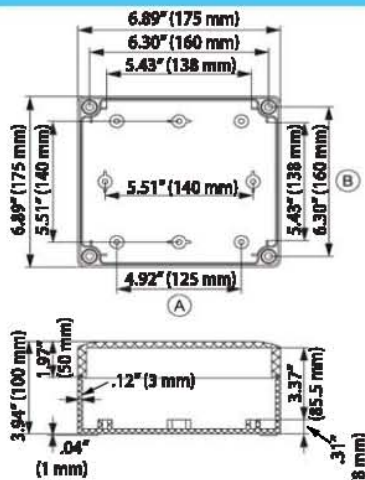


Polycarbonate	Part Number	Accessories	Part Number
Grey cover, plain sides	3.120.0556.28	Mounting plate, 1,5 mm thick, galvanized steel	3.120.0560.69
Grey cover, metric knockouts, A: 5 x ø 12 mm / 20 mm B: 2 x ø 12 mm / 20 mm + 2 x ø 16 mm / 25 mm	3.120.0664.57	DIN Rail, DIN 35	3.120.0561.13
Grey cover, PG knockouts, A: 5 x PG 9 / PG 13,5 B: 2 x PG 16 / PG 21 + 2 x PG 9 / PG 16	3.120.0556.04		
Transp. cover*, plain sides	3.120.0556.35		
Transp. cover*, metric knockouts, A: 5 x ø 12 mm / 20 mm B: 2 x ø 12 mm / 20 mm + 2 x ø 16 mm / 25 mm	3.120.0666.24		
Transp. cover*, PG knockouts, A: 5 x PG 9 / PG 13,5 B: 2 x PG 16 / PG 21 + 2 x PG 9 / PG 16	3.120.0556.11		
ABS	Part Number		
Grey cover, plain sides	3.120.0556.42		
Transp. cover*, plain sides	3.120.0556.59		

Assembly and machining services of your enclosures are available upon request.  
 Drawings with additional dimensions can be furnished upon request.  
 Cover screws and assembly screws are included.  
 \*Transparent cover always out of Polycarbonate

Additional accessories on page 35.

**6.89 x 6.89 x 3.94" (175 x 175 x 100 mm)**



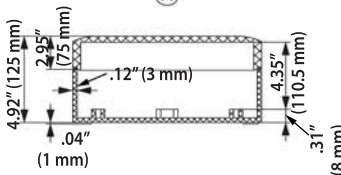
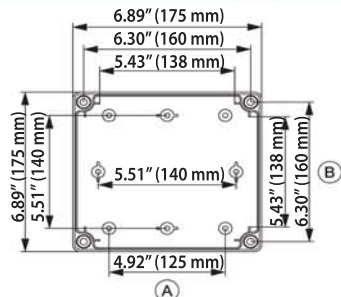
Polycarbonate	Part Number	Accessories	Part Number
Grey cover, plain sides	3.120.0556.80	Mounting plate, 1,5 mm thick, galvanized steel	3.120.0560.69
Grey cover, metric knockouts, A: 5 x ø 12 mm / 20 mm B: 2 x ø 12 mm / 20 mm + 2 x ø 16 mm / 25 mm	3.120.0664.64	DIN Rail, DIN 35	3.120.0561.13
Grey cover, PG knockouts, A: 5 x PG 9 / PG 13,5 B: 2 x PG 16 / PG 21 + 2 x PG 9 / PG 16	3.120.0556.66		
Transp. cover*, plain sides	3.120.0556.97		
Transp. cover*, metric knockouts, A: 5 x ø 12 mm / 20 mm B: 2 x ø 12 mm / 20 mm + 2 x ø 16 mm / 25 mm	3.120.0666.31		
Transp. cover*, PG knockouts, A: 5 x PG 9 / PG 13,5 B: 2 x PG 16 / PG 21 + 2 x PG 9 / PG 16	3.120.0556.73		
ABS	Part Number		
Grey cover, plain sides	3.120.0557.03		
Transp. cover*, plain sides	3.120.0557.10		

Assembly and machining services of your enclosures are available upon request.  
 Drawings with additional dimensions can be furnished upon request.  
 Cover screws and assembly screws are included.  
 \*Transparent cover always out of Polycarbonate

Additional accessories on page 35.

## Mid size Enclosures made of Polycarbonate or ABS

### 6.89 x 6.89 x 4.92" (175 x 175 x 125 mm)



Polycarbonate	Part Number
Grey cover, plain sides	3.120.0557.41
Grey cover, metric knockouts, A: 5 x $\phi$ 12 mm / 20 mm B: 2 x $\phi$ 12 mm / 20 mm + 2 x $\phi$ 16 mm / 25 mm	3.120.0664.71
Grey cover, PG knockouts, A: 5 x PG 9 / PG 13.5 B: 2 x PG 16 / PG 21 + 2 x PG 9 / PG 16	3.120.0557.27
Transp. cover*, plain sides	3.120.0557.58
Transp. cover*, metric knockouts, A: 5 x $\phi$ 12 mm / 20 mm B: 2 x $\phi$ 12 mm / 20 mm + 2 x $\phi$ 16 mm / 25 mm	3.120.0666.48
Transp. cover*, PG knockouts, A: 5 x PG 9 / PG 13.5 B: 2 x PG 16 / PG 21 + 2 x PG 9 / PG 16	3.120.0557.34

Accessories	Part Number
Mounting plate, 1,5 mm thick, galvanized steel	3.120.0560.69
DIN Rail, DIN 35	3.120.0561.13

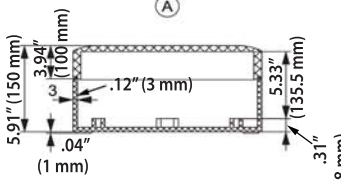
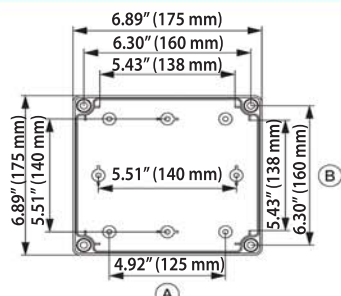


ABS	Part Number
Grey cover, plain sides	3.120.0557.65
Transp. cover*, plain sides	3.120.0557.72

Assembly and machining services of your enclosures are available upon request.  
Drawings with additional dimensions can be furnished upon request.  
Cover screws and assembly screws are included.  
\*Transparent cover always out of Polycarbonate

Additional accessories on page 35.

### 6.89 x 6.89 x 5.91" (175 x 175 x 150 mm)



Polycarbonate	Part Number
Grey cover, plain sides	3.120.0558.02
Grey cover, metric knockouts, A: 5 x $\phi$ 12 mm / 20 mm B: 2 x $\phi$ 12 mm / 20 mm + 2 x $\phi$ 16 mm / 25 mm	3.120.0664.88
Grey cover, PG knockouts, A: 5 x PG 9 / PG 13.5 B: 2 x PG 16 / PG 21 + 2 x PG 9 / PG 16	3.120.0557.89
Transp. cover*, plain sides	3.120.0558.19
Transp. cover*, metric knockouts, A: 5 x $\phi$ 12 mm / 20 mm B: 2 x $\phi$ 12 mm / 20 mm + 2 x $\phi$ 16 mm / 25 mm	3.120.0666.55
Transp. cover*, PG knockouts, A: 5 x PG 9 / PG 13.5 B: 2 x PG 16 / PG 21 + 2 x PG 9 / PG 16	3.120.0557.96

Accessories	Part Number
Mounting plate, 1,5 mm thick, galvanized steel	3.120.0560.69
DIN Rail, DIN 35, short side	3.120.0561.13



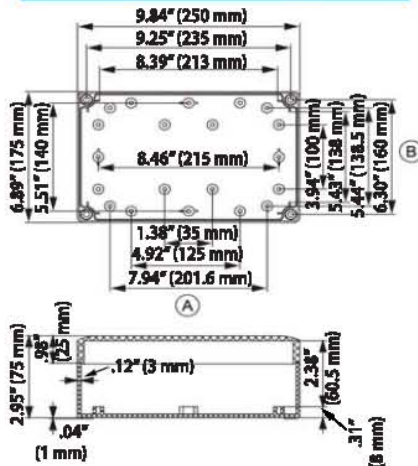
ABS	Part Number
Grey cover, plain sides	3.120.0558.26
Transp. cover*, plain sides	3.120.0558.33

Assembly and machining services of your enclosures are available upon request.  
Drawings with additional dimensions can be furnished upon request.  
Cover screws and assembly screws are included.  
\*Transparent cover always out of Polycarbonate

Additional accessories on page 35.

Mid size Enclosures made of Polycarbonate or ABS

**6.89 x 9.84 x 2.95" (175 x 250 x 75 mm)**



Polycarbonate	Part Number
Grey cover, plain sides	3.120.0558.64
Grey cover, metric knockouts, A: 6 x ø 12 mm / 20 mm B: 2 x ø 12 mm / 20 mm + 2 x ø 16 mm / 25 mm	3.120.0664.95
Grey cover, PG knockouts, A: 6 x PG 9 / PG 13.5 B: 2 x PG 16 / PG 21 + 2 x PG 9 / PG 16	3.120.0558.40
Transp. cover*, plain sides	3.120.0558.71
Transp. cover*, metric knockouts, A: 6 x ø 12 mm / 20 mm B: 2 x ø 12 mm / 20 mm + 2 x ø 16 mm / 25 mm	3.120.0666.62
Transp. cover*, PG knockouts, A: 6 x PG 9 / PG 13.5 B: 2 x PG 16 / PG 21 + 2 x PG 9 / PG 16	3.120.0558.57

Accessories	Part Number
Mounting plate, 1,5 mm thick, galvanized steel	3.120.0560.76
DIN Rail, DIN 35, short side	3.120.0561.13
DIN Rail, DIN 35, long side	3.120.0561.20

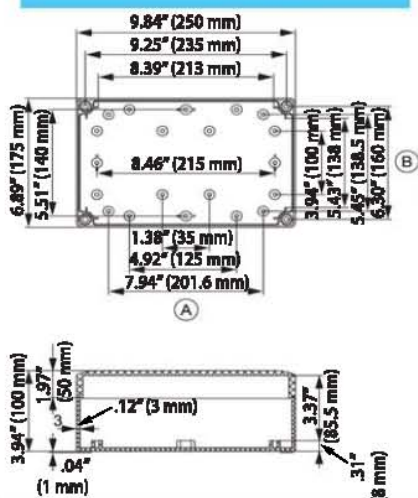


ABS	Part Number
Grey cover, plain sides	3.120.0558.88
Transp. cover*, plain sides	3.120.0558.95

Assembly and machining services of your enclosures are available upon request.  
 Drawings with additional dimensions can be furnished upon request.  
 Cover screws and assembly screws are included.  
 \*Transparent cover always out of Polycarbonate

Additional accessories on page 35.

**6.89 x 9.84 x 3.94" (175 x 250 x 100 mm)**



Polycarbonate	Part Number
Grey cover, plain sides	3.120.0559.25
Grey cover, metric knockouts, A: 6 x ø 12 mm / 20 mm B: 2 x ø 12 mm / 20 mm + 2 x ø 16 mm / 25 mm	3.120.0665.01
Grey cover, PG knockouts, A: 6 x PG 9 / PG 13.5 B: 2 x PG 16 / PG 21 + 2 x PG 9 / PG 16	3.120.0559.01
Transp. cover*, plain sides	3.120.0559.32
Transp. cover*, metric knockouts, A: 6 x ø 12 mm / 20 mm B: 2 x ø 12 mm / 20 mm + 2 x ø 16 mm / 25 mm	3.120.0666.79
Transp. cover*, PG knockouts, A: 6 x PG 9 / PG 13.5 B: 2 x PG 16 / PG 21 + 2 x PG 9 / PG 16	3.120.0559.18

Accessories	Part Number
Mounting plate, 1,5 mm thick, galvanized steel	3.120.0560.76
DIN Rail, DIN 35, short side	3.120.0561.13
DIN Rail, DIN 35, long side	3.120.0561.20



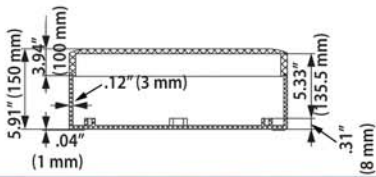
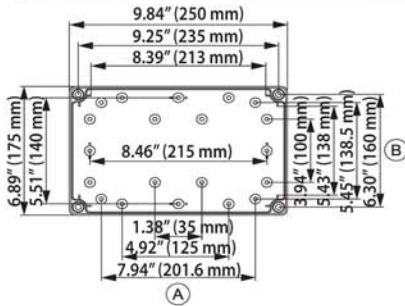
ABS	Part Number
Grey cover, plain sides	3.120.0559.49
Transp. cover*, plain sides	3.120.0559.56

Assembly and machining services of your enclosures are available upon request.  
 Drawings with additional dimensions can be furnished upon request.  
 Cover screws and assembly screws are included.  
 \*Transparent cover always out of Polycarbonate

Additional accessories on page 35.

## Mid size Enclosures made of Polycarbonate or ABS

### 6.89 x 9.84 x 5.91" (175 x 250 x 150 mm)



#### Polycarbonate Part Number

Grey cover, plain sides 3.120.0559.87

Grey cover, metric knockouts,  
A: 6 x  $\phi$  12 mm / 20 mm  
B: 2 x  $\phi$  12 mm / 20 mm + 2 x  $\phi$  16 mm / 25 mm 3.120.0665.18

Grey cover, PG knockouts,  
A: 6 x PG 9 / PG 13,5  
B: 2 x PG 16 / PG 21 + 2 x PG 9 / PG 16 3.120.0559.63

Transp. cover\*, plain sides 3.120.0559.94

Transp. cover\*, metric knockouts,  
A: 6 x  $\phi$  12 mm / 20 mm  
B: 2 x  $\phi$  12 mm / 20 mm + 2 x  $\phi$  16 mm / 25 mm 3.120.0666.86

Transp. cover\*, PG knockouts,  
A: 6 x PG 9 / PG 13,5  
B: 2 x PG 16 / PG 21 + 2 x PG 9 / PG 16 3.120.0559.70

#### ABS Part Number

Grey cover, plain sides 3.120.0560.07

Transp. cover\*, plain sides 3.120.0560.14

Assembly and machining services of your enclosures are available upon request.  
Drawings with additional dimensions can be furnished upon request.  
Cover screws and assembly screws are included.  
\*Transparent cover always out of Polycarbonate

#### Accessories Part Number

Mounting plate,  
1,5 mm thick, galvanized steel 3.120.0560.76

DIN Rail, DIN 35, short side 3.120.0561.13

DIN Rail, DIN 35, long side 3.120.0561.20



Additional accessories on page 35.



Accessories for Series 12.

### Accessories

Hinges	Size inches (mm)	Part Number
Pair, polycarbonate	1.10 x 1.10 x .39" (28 x 28 x 10 mm)	3.811.0561.44

### Accessories

Outside Latches	Size inches (mm)	Part Number
Set, Polycarbonate	.59 x 1.18" (15 x 30 mm)	3.812.0561.51

### Accessories

Cover Plugs	Size mm (inches)	Part Number
Short, 25 mm cover, polyethylene	.43 x .47" (ø11 x 12 mm)	3.812.0568.47
Long, for 50 mm cover, polyethylene	.43 x 1.44" (ø12 x 36.5 mm)	3.812.0568.54
Short, for 50 & 100 mm cover, polyethylene	.45 x .47" (ø11.5 x 12 mm)	3.812.0568.61

### Accessories

Wing Head Part	Size inches (mm)	Part Number
Wing head part for cover screws	.43 x .67" (11 x 17 mm)	3.812.0561.51

### Accessories

Cover- and Mounting Screws	Size inches (mm)	Part Number
Cover screws, short, steel	.43 x 1.38" (11 x 35 mm)	3.812.0561.82
Cover screws, long for 50 mm cover, steel	.43 x 2.36" (11 x 60 mm)	3.812.0561.99
Mounting screws for plates and rails, steel	.16 x .31" (4 x 8 mm)	3.812.0561.75
Set 1, 4 cover screws short and 4 mounting screws	.43 x 1.38" (11 x 35 mm)	3.812.0549.80
Set 2, 4 cover screws long for, 50 mm cover and 4 mounting screw	.43 x 2.36" (11 x 60 mm)	3.812.0549.97

### Accessories

Brass Insert for Mounting Plates	Size inches (mm)	Part Number
Brass Insert	M2	3.812.0561.68
Brass Insert, set incl. 4 pcs.	M2	3.812.0568.30

Setting Standards

## Did you know ...

### ...for HUMMEL to build cable assemblies?

We produce fast, flexible and accurate single and multi-conductor cord sets. 100% testing guarantees the highest quality products.

**We build:**

- Over molded Connectors
- Power Connectors
- Signal Connectors



**CHALLENGE US!**



### High precision and quality products



# OEM Enclosures – PC or ABS

## Series 13 with Plain Sides and Flange Knockouts

Manufactured from high performance Thermoplastic, Polycarbonate, or ABS. These enclosures are suitable for demanding OEM applications, e.g. for the protection of electronic and pneumatic components.

This series with plain sidewalls is also available with flange and metric knockouts.

Enclosure dimensions vary in 100 mm increments, the smallest being 200 x 200 x 132 mm, the largest 400 x 600 mm with a depth of 187 mm. By adding an extension frame, depth can be increased in increments of 55 mm.

A special feature is the adjustable height for the mounting plate, made possible by a slotted guide in each inside corner of the enclosure.

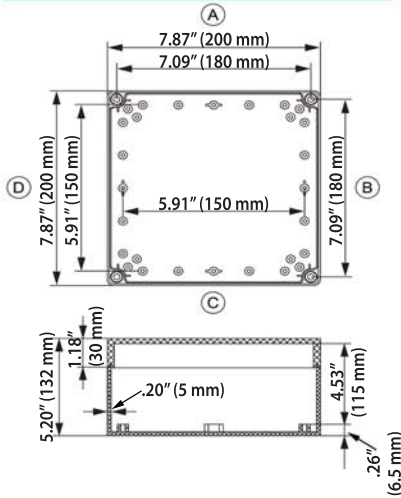
The following approved enclosures are available upon request:

Technical Information	Polycarbonate	ABS
Protection EN 60529	IP 66 / 67	IP 66 / 67
Impact EN 50102 (+35 °C / -25 °C)	IK 08 / IK 08	IK 07 / IK 06
Temperature range	-50 °C...+100 °C	-40 °C...+60 °C
Fire resistance per UL 94	V-2	HB
Standard color	Grey RAL 7035	Grey RAL 7035
Transparent cover	Polycarbonate	Polycarbonate
Gasket	PUR (Polyurethane)	PUR (Polyurethane)
Cover screws	Polyamide	Polyamide



## Large Enclosures made of Polycarbonate or ABS

### 7.87 x 7.87 x 5.20" (200 x 200 x 132 mm)



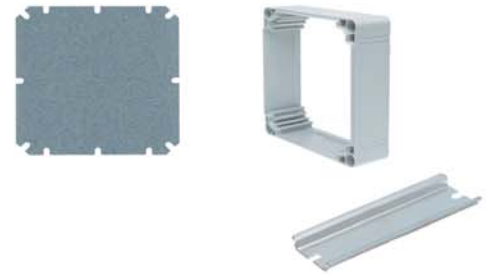
Polycarbonate	Part Number
Grey cover, plain sides	3.130.0844.13
Grey cover Flange knockouts, A, B, C, D: 1 x F1	3.130.0721.20
Transp. cover*, plain sides	3.130.0843.45
Transp. cover* Flange knockouts, A, B, C, D: 1 x F1	3.130.0721.99

ABS	Part Number
Grey cover, plain sides	3.130.0845.50
Transp. cover*, plain sides	3.130.0844.82

Assembly and machining services of your enclosures are available upon request. Drawings with additional dimensions can be furnished upon request.

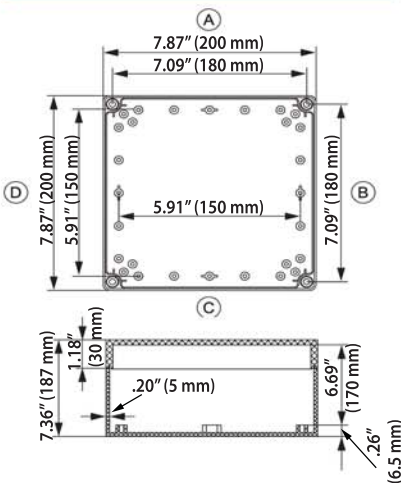
Cover screws and assembly screws are included.  
\*Transparent cover always out of Polycarbonate

Accessories	Part Number
Mounting plate, 1,5 mm thick, galvanized steel	3.130.0646.75
DIN Rail, DIN 35	3.130.0647.43
Extension frame for an additional 55 mm depth	3.130.0646.06



Additional accessories on page 45.  
Flange accessories on page 47.

### 7.87 x 7.87 x 7.36" (200 x 200 x 187 mm)



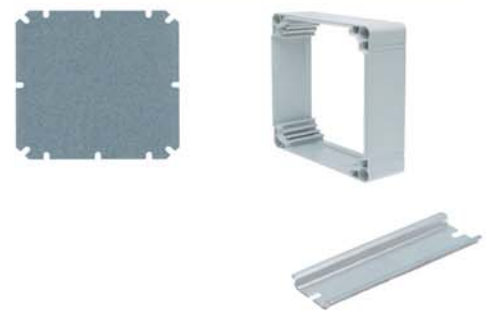
Polycarbonate	Part Number
Grey cover, plain sides	3.130.0846.28
Grey cover Flange knockouts, A, B, C, D: 1 x F1	3.130.0821.67
Transp. cover*, plain sides	3.130.0846.97
Transp. cover* Flange knockouts, A, B, C, D: 1 x F1	3.130.0822.35

ABS	Part Number
Grey cover, plain sides	3.130.0847.65
Transp. cover*, plain sides	3.130.0848.33

Assembly and machining services of your enclosures are available upon request. Drawings with additional dimensions can be furnished upon request.

This type Enclosure includes Extension Frame  
Cover screws and assembly screws are included.  
\*Transparent cover always out of Polycarbonate

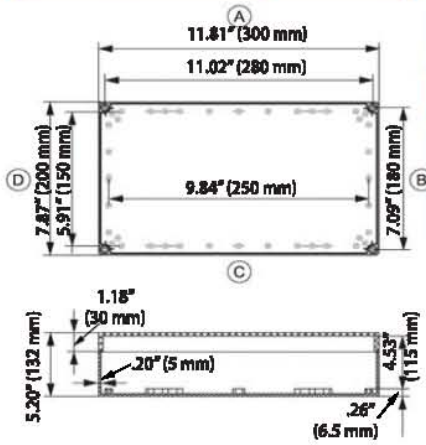
Accessories	Part Number
Mounting plate, 1,5 mm thick, galvanized steel	3.130.0646.75
DIN Rail, DIN 35	3.130.0647.43
Extension frame for an additional 55 mm depth	3.130.0646.06



Additional accessories on page 45.  
Flange accessories on page 47.

Large Enclosures made of Polycarbonate or ABS

**7.87 x 11.81 x 5.20" (200 x 300 x 132 mm)**



Polycarbonate	Part Number
Grey cover, plain sides	3.130.0844.20
Grey cover Flange knockouts, A, C: 1 x F2; B, D: 1 x F1	3.130.0721.37
Transp. cover*, plain sides	3.130.0843.52
Transp. cover* Flange knockouts, A, C: 1 x F2; B, D: 1 x F1	3.130.0722.05

Accessories	Part Number
Mounting plate, 1,5 mm thick, galvanized steel	3.130.0646.82
DIN Rail, DIN 35, short side	3.130.0647.43
DIN Rail, DIN 35, long side	3.130.0647.50
Extension frame for an additional 55 mm depth	3.130.0646.13

ABS	Part Number
Grey cover, plain sides	3.130.0845.67
Transp. cover*, plain sides	3.130.0844.99

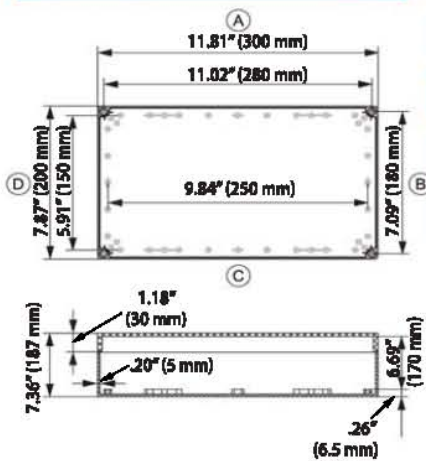


Assembly and machining services of your enclosures are available upon request.  
Drawings with additional dimensions can be furnished upon request.

Cover screws and assembly screws are included.  
\*Transparent cover always out of Polycarbonate

Additional accessories on page 45.  
Flange accessories on page 47.

**7.87 x 11.81 x 7.36" (200 x 300 x 187 mm)**



Polycarbonate	Part Number
Grey cover, plain sides	3.130.0846.35
Grey cover Flange knockouts, A, C: 1 x F2; B, D: 1 x F1	3.130.0821.74
Transp. cover*, plain sides	3.130.0847.03
Transp. cover* Flange knockouts, A, C: 1 x F2; B, D: 1 x F1	3.130.0822.42

Accessories	Part Number
Mounting plate, 1,5 mm thick, galvanized steel	3.130.0646.82
DIN Rail, DIN 35, short side	3.130.0647.43
DIN Rail, DIN 35, long side	3.130.0647.50
Extension frame for an additional 55 mm depth	3.130.0646.13

ABS	Part Number
Grey cover, plain sides	3.130.0847.72
Transp. cover*, plain sides	3.130.0848.40



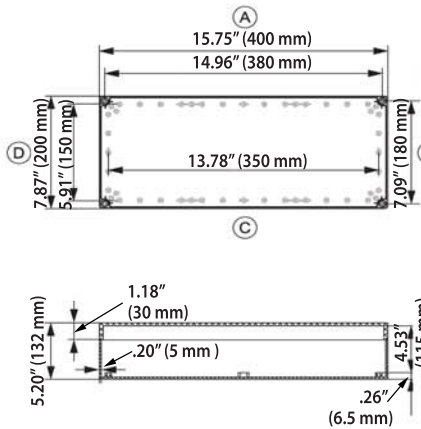
Assembly and machining services of your enclosures are available upon request.  
Drawings with additional dimensions can be furnished upon request.

This type Enclosure includes Extension Frame  
Cover screws and assembly screws are included.  
\*Transparent cover always out of Polycarbonate

Additional accessories on page 45.  
Flange accessories on page 47.

## Large Enclosures made of Polycarbonate or ABS

### 7.87 x 15.75 x 5.20" (200 x 400 x 132 mm)



Polycarbonate	Part Number
Grey cover, plain sides	3.130.0844.37
Grey cover Flange knockouts, A, C: 1 x F2; B, D: 1 x F1	3.130.0721.44
Transp. cover*, plain sides	3.130.0843.69
Transp. cover* Flange knockouts, A, C: 1 x F2; B, D: 1 x F1	3.130.0722.12

ABS	Part Number
Grey cover, plain sides	3.130.0845.74
Transp. cover*, plain sides	3.130.0845.05

Assembly and machining services of your enclosures are available upon request.  
Drawings with additional dimensions can be furnished upon request.

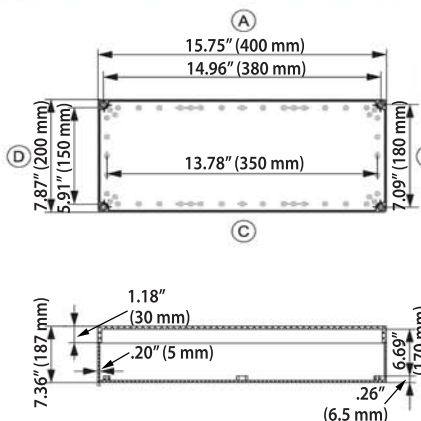
Cover screws and assembly screws are included.  
\*Transparent cover always out of Polycarbonate

Accessories	Part Number
Mounting plate, 1,5 mm thick, galvanized steel	3.130.0646.99
DIN Rail, DIN 35, short side	3.130.0647.43
DIN Rail, DIN 35, long side	3.130.0647.67
Extension frame for an additional 55 mm depth	3.130.0646.20



Additional accessories on page 45.  
Flange accessories on page 47.

### 7.87 x 15.75 x 7.36" (200 x 400 x 187 mm)



Polycarbonate	Part Number
Grey cover, plain sides	3.130.0846.42
Grey cover Flange knockouts, A, C: 1 x F2; B, D: 1 x F1	3.130.0821.81
Transp. cover*, plain sides	3.130.0847.10
Transp. cover* Flange knockouts, A, C: 1 x F2; B, D: 1 x F1	3.130.0822.59

ABS	Part Number
Grey cover, plain sides	3.130.0847.89
Transp. cover*, plain sides	3.130.0848.57

Assembly and machining services of your enclosures are available upon request.  
Drawings with additional dimensions can be furnished upon request.

This type Enclosure includes Extension Frame  
Cover screws and assembly screws are included.  
\*Transparent cover always out of Polycarbonate

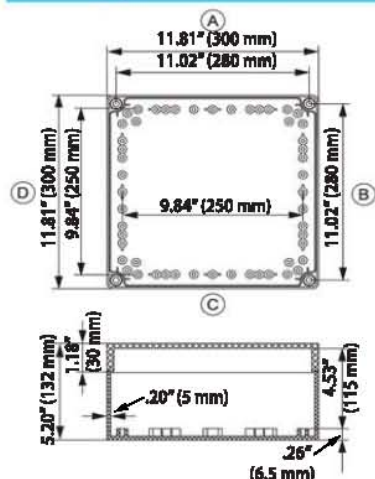
Accessories	Part Number
Mounting plate, 1,5 mm thick, galvanized steel	3.130.0646.99
DIN Rail, DIN 35, short side	3.130.0647.43
DIN Rail, DIN 35, long side	3.130.0647.67
Extension frame for an additional 55 mm depth	3.130.0646.20



Additional accessories on page 45.  
Flange accessories on page 47.

Large Enclosures made of Polycarbonate or ABS

**11.81 x 11.81 x 5.20" (300 x 300 x 132 mm)**



Polycarbonate	Part Number
Grey cover, plain sides	3.130.0844.44
Grey cover, metric knockouts, B: 12 x ø20 mm + 1 x ø16 mm / 25 mm D: 8 x ø20 mm + 4 x ø25 mm / 40 mm	3.130.0578.99
Grey cover Flange knockouts, A, B, C, D: 1 x F2	3.130.0721.51
Transp. cover*, plain sides	3.130.0843.76
Transp. cover*, metric knockouts, B: 12 x ø20 mm + 1 x ø16 mm / 25 mm D: 8 x ø20 mm + 4 x ø25 mm / 40 mm	3.130.0579.29
Transp. cover* Flange knockouts, A, B, C, D: 1 x F2	3.130.0722.29

Accessories	Part Number
Mounting plate, 1,5 mm thick, galvanized steel	3.130.0647.05
DIN Rail, DIN 35	3.130.0647.50
Extension frame for an additional 55 mm depth	3.130.0646.37

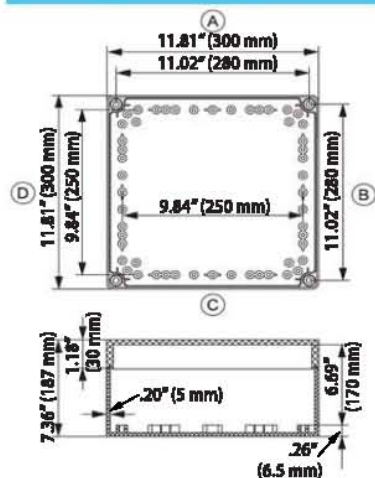


ABS	Part Number
Grey cover, plain sides	3.130.0845.81
Transp. cover*, plain sides	3.130.0845.12

Assembly and machining services of your enclosures are available upon request.  
Drawings with additional dimensions can be furnished upon request.  
Cover screws and assembly screws are included.  
\*Transparent cover always out of Polycarbonate

Additional accessories on page 45.  
Flange accessories on page 47.

**11.81 x 11.81 x 7.36" (300 x 300 x 187 mm)**



Polycarbonate	Part Number
Grey cover, plain sides	3.130.0846.59
Grey cover, metric knockouts, B: 12 x ø20 mm + 1 x ø16 mm / 25 mm D: 8 x ø20 mm + 4 x ø25 mm / 40 mm	3.130.0579.50
Grey cover Flange knockouts, A, B, C, D: 1 x F2	3.130.0821.98
Transp. cover*, plain sides	3.130.0847.27
Transp. cover*, metric knockouts, B: 12 x ø20 mm + 1 x ø16 mm / 25 mm D: 8 x ø20 mm + 4 x ø25 mm / 40 mm	3.130.0579.81
Transp. cover* Flange knockouts, A, B, C, D: 1 x F2	3.130.0822.66

Accessories	Part Number
Mounting plate, 1,5 mm thick, galvanized steel	3.130.0647.05
DIN Rail, DIN 35	3.130.0647.50
Extension frame for an additional 55 mm depth	3.130.0646.37



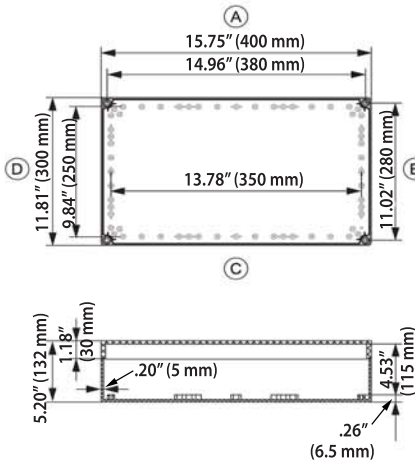
ABS	Part Number
Grey cover, plain sides	3.130.0847.96
Transp. cover*, plain sides	3.130.0848.64

Assembly and machining services of your enclosures are available upon request.  
Drawings with additional dimensions can be furnished upon request.  
This type Enclosure includes Extension Frame  
Cover screws and assembly screws are included.  
\*Transparent cover always out of Polycarbonate

Additional accessories on page 45.  
Flange accessories on page 47.

## Large Enclosures made of Polycarbonate or ABS

### 11.81 x 15.75 x 5.20" (300 x 400 x 132 mm)



Polycarbonate	Part Number
Grey cover, plain sides	3.130.0844.51
Grey cover, metric knockouts, B: 12 x ø 12 mm / 20 mm + 1 x ø 32 mm / 40 mm D: 8 x ø 12 mm / 20 mm + 5 x ø 16 mm / 25 mm	3.130.0579.05
Grey cover Flange knockouts, A, B, C, D: 1 x F2	3.130.0721.68
Transp. cover*, plain sides	3.130.0843.83
Transp. cover*, metric knockouts, B: 12 x ø 12 mm / 20 mm + 1 x ø 32 mm / 40 mm D: 8 x ø 12 mm / 20 mm + 5 x ø 16 mm / 25 mm	3.130.0579.36
Transp. cover* Flange knockouts, A, B, C, D: 1 x F2	3.130.0722.36

ABS	Part Number
Grey cover, plain sides	3.130.0845.98
Transp. cover*, plain sides	3.130.0845.29

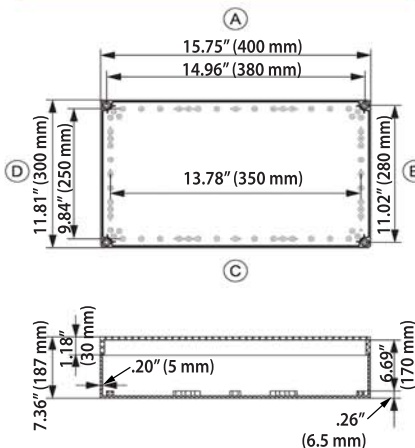
Assembly and machining services of your enclosures are available upon request.  
Drawings with additional dimensions can be furnished upon request.  
Cover screws and assembly screws are included.  
\*Transparent cover always out of Polycarbonate

Accessories	Part Number
Mounting plate, 1,5 mm thick, galvanized steel	3.130.0647.12
DIN Rail, DIN 35, short side	3.130.0647.50
DIN Rail, DIN 35, long side	3.130.0647.67
Extension frame for an additional 55 mm depth	3.130.0646.44



Additional accessories on page 45.  
Flange accessories on page 47.

### 11.81 x 15.75 x 7.36" (300 x 400 x 187 mm)



Polycarbonate	Part Number
Grey cover, plain sides	3.130.0846.66
Grey cover, metric knockouts, B: 12 x ø 12 mm / 20 mm + 1 x ø 32 mm / 40 mm D: 8 x ø 12 mm / 20 mm + 5 x ø 16 mm / 25 mm	3.130.0579.67
Grey cover Flange knockouts, A, B, C, D: 1 x F2	3.130.0822.04
Transp. cover*, plain sides	3.130.0847.34
Transp. cover*, metric knockouts, B: 12 x ø 12 mm / 20 mm + 1 x ø 32 mm / 40 mm D: 8 x ø 12 mm / 20 mm + 5 x ø 16 mm / 25 mm	3.130.0579.98
Transp. cover* Flange knockouts, A, B, C, D: 1 x F2	3.130.0822.73

ABS	Part Number
Grey cover, plain sides	3.130.0848.02
Transp. cover*, plain sides	3.130.0848.71

Assembly and machining services of your enclosures are available upon request.  
Drawings with additional dimensions can be furnished upon request.  
This type Enclosure includes Extension Frame  
Cover screws and assembly screws are included.  
\*Transparent cover always out of Polycarbonate

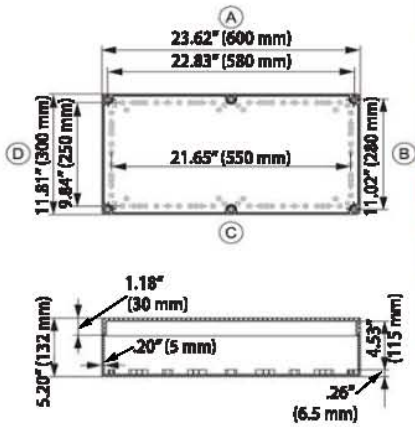
Accessories	Part Number
Mounting plate, 1,5 mm thick, galvanized steel	3.130.0647.12
DIN Rail, DIN 35, short side	3.130.0647.50
DIN Rail, DIN 35, long side	3.130.0647.67
Extension frame for an additional 55 mm depth	3.130.0646.44



Additional accessories on page 45.  
Flange accessories on page 47.

Large Enclosures made of Polycarbonate or ABS

**11.81 x 23.62 x 5.20" (300 x 600 x 132 mm)**



Polycarbonate	Part Number
Grey cover, plain sides	3.130.0844.68
Grey cover, metric knockouts, B: 12 x ø 12 mm / 20 mm + 1 x ø 32 mm / 40 mm D: 8 x ø 12 mm / 20 mm + 5 x ø 16 mm / 25 mm	3.130.0579.12
Grey cover Flange knockouts, A, C: 2 x F2; B, D: 1 x F2	3.130.0721.75
Transp. cover*, plain sides	3.130.0843.90
Transp. cover*, metric knockouts, B: 12 x ø 12 mm / 20 mm + 1 x ø 32 mm / 40 mm D: 8 x ø 12 mm / 20 mm + 5 x ø 16 mm / 25 mm	3.130.0579.43
Transp. cover* Flange knockouts, A, C: 2 x F2; B, D: 1 x F2	3.130.0722.43

Accessories	Part Number
Mounting plate, 1,5 mm thick, galvanized steel	3.130.0647.29
DIN Rail, DIN 35, short side	3.130.0647.50
Extension frame for an additional 55 mm depth	3.130.0646.51

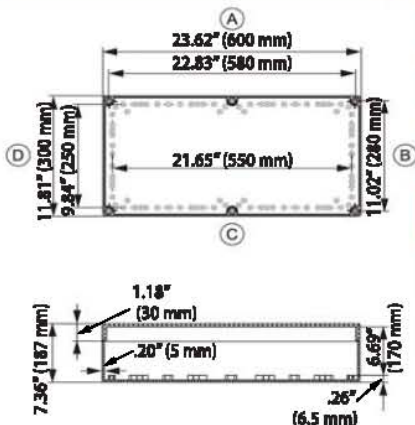


ABS	Part Number
Grey cover, plain sides	3.130.0846.04
Transp. cover*, plain sides	3.130.0845.36

Assembly and machining services of your enclosures are available upon request.  
Drawings with additional dimensions can be furnished upon request.  
Cover screws and assembly screws are included.  
\*Transparent cover always out of Polycarbonate

Additional accessories on page 45.  
Flange accessories on page 47.

**11.81 x 23.62 x 7.36" (300 x 600 x 187 mm)**



Polycarbonate	Part Number
Grey cover, plain sides	3.130.0846.73
Grey cover, metric knockouts, B: 12 x ø 12 mm / 20 mm + 1 x ø 32 mm / 40 mm D: 8 x ø 12 mm / 20 mm + 5 x ø 16 mm / 25 mm	3.130.0579.74
Grey cover Flange knockouts, A, C: 2 x F2; B, D: 1 x F2	3.130.0822.11
Transp. cover*, plain sides	3.130.0847.41
Transp. cover*, metric knockouts, B: 12 x ø 12 mm / 20 mm + 1 x ø 32 mm / 40 mm D: 8 x ø 12 mm / 20 mm + 5 x ø 16 mm / 25 mm	3.130.0580.01
Transp. cover* Flange knockouts, A, C: 2 x F2; B, D: 1 x F2	3.130.0822.80

Accessories	Part Number
Mounting plate, 1,5 mm thick, galvanized steel	3.130.0647.29
DIN Rail, DIN 35, short side	3.130.0647.50
Extension frame for an additional 55 mm depth	3.130.0646.51



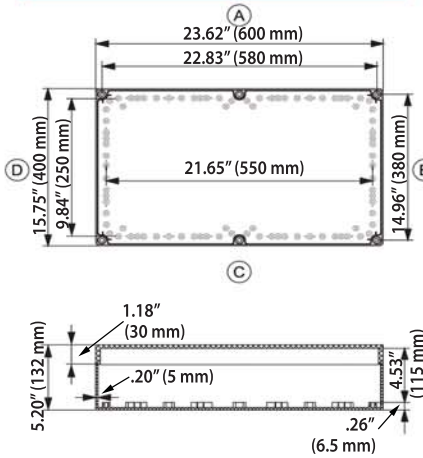
ABS	Part Number
Grey cover, plain sides	3.130.0848.19
Transp. cover*, plain sides	3.130.0848.88

Assembly and machining services of your enclosures are available upon request.  
Drawings with additional dimensions can be furnished upon request.  
This type Enclosure includes Extension Frame  
Cover screws and assembly screws are included.  
\*Transparent cover always out of Polycarbonate

Additional accessories on page 45.  
Flange accessories on page 47.

## Large Enclosures made of Polycarbonate or ABS

### 15.75 x 23.62 x 5.20" (400 x 600 x 132 mm)



Polycarbonate	Part Number
Grey cover, plain sides	3.130.0844.75
Grey cover Flange knockouts, A, C: 2 x F2; B, D: 1 x F2	3.130.0721.82
Transp. cover*, plain sides	3.130.0844.06
Transp. cover* Flange knockouts, A, C: 2 x F2; B, D: 1 x F2	3.130.0722.50

Accessories	Part Number
Mounting plate, 1,5 mm thick, galvanized steel	3.130.0647.36
DIN Rail, DIN 35, short side	3.130.0647.67
Extension frame for an additional 55 mm depth	3.130.0646.68

ABS	Part Number
Grey cover, plain sides	3.130.0846.11
Transp. cover*, plain sides	3.130.0845.43

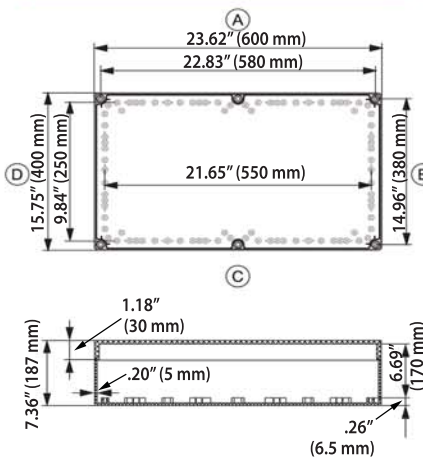


Assembly and machining services of your enclosures are available upon request.  
Drawings with additional dimensions can be furnished upon request.

Cover screws and assembly screws are included.  
\*Transparent cover always out of Polycarbonate

Additional accessories on page 45.  
Flange accessories on page 47.

### 15.75 x 23.62 x 7.36" (400 x 600 x 187 mm)



Polycarbonate	Part Number
Grey cover, plain sides	3.130.0846.80
Grey cover Flange knockouts, A, C: 2 x F2; B, D: 1 x F2	3.130.0822.28
Transp. cover*, plain sides	3.130.0847.58
Transp. cover* Flange knockouts, A, C: 2 x F2; B, D: 1 x F2	3.130.0822.97

Accessories	Part Number
Mounting plate, 1,5 mm thick, galvanized steel	3.130.0647.36
DIN Rail, DIN 35, short side	3.130.0647.67
Extension frame for an additional 55 mm depth	3.130.0646.68

ABS	Part Number
Grey cover, plain sides	3.130.0848.26
Transp. cover*, plain sides	3.130.0848.95



Assembly and machining services of your enclosures are available upon request.  
Drawings with additional dimensions can be furnished upon request.

This type Enclosure includes Extension Frame  
Cover screws and assembly screws are included.  
\*Transparent cover always out of Polycarbonate

Additional accessories on page 45.  
Flange accessories on page 47.



Accessories for Series 13.

Series 13 – Accessories

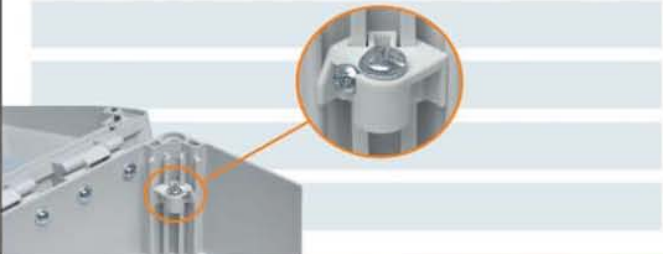
### Accessories

Outside Latches	Size inches (mm)	Part Number
Fastening Lugs, set	19 x 40 x 35.5" (.75 x 1.57 x 1.40 mm)	3.813.0647.81



### Accessories

Adjustable Corner Clips for Mounting Plate	Size mm (inches)	Part Number
Adjustable corner clips for mounting plate set incl. 4 pcs.	.75 / .75 x .55" (19 / 19 x 14 mm)	3.813.0647.98
Adjustable corner clips for mounting plate set incl. 4 pcs.	.79 / 1.02 x .55" (20 / 26 x 14 mm)	3.813.0816.96



### Accessories

Brass Inserts	Size inches (mm)	Part Number
Threaded bushing for cover screws when cover mounted on the back	71 / 1.18 ø .63" 18 / 30 ø 16	3.813.0717.89




Brass Inserts	Size inches (mm)	Part Number
Threaded brass inserts	M3	3.813.0723.28
Set of threaded inserts (4 pieces)	M3	3.813.0723.35




### Accessories

Cover Screws	Size inches (mm)	Part Number
Cover screws, slotted / cross head, sealable	.55 x 1.65" (14 x 42 mm)	3.813.0745.90
Cover screws, slotted / cross head, dark grey made of noryl	.55 x 1.65" (14 x 42 mm)	3.813.0747.28
Cover screws, slotted / cross head, for 600 mm modular cover	.55 x 1.26" (14 x 32 mm)	3.813.0743.60
Cover screws, spring loaded, cross head	.55 x 2.44" (14 x 62 mm)	3.813.0730.73
Cover screws, wing head	.55 x 2.17" (14 x 55 mm)	3.813.0717.62
Cover screws, DIN 3 head	.55 x 1.65" (14 x 42 mm)	3.813.0717.72
Cover screws set incl. 4 cover screws and 4 brass inserts	.67 x 1.18 / .71" (17 x 30 / 18 mm)	3.813.0717.02



### Accessories


Mounting Screws	Size Inches (mm)	Part Number
Mounting screws for plates and rails	.20 x 39" (5 x 10 mm)	3.813.0648.04



## Series 13 – Accessories


### Accessories

Hinges	Size inches (mm)	Part Number
Hinges (pair)	1.57 x 1.97 x .65" (40 x 50 x 16.5 mm)	3.813.0647.74
Hinges (pair), incl. 2 cover plugs	1.57 x 1.97 x .65" (40 x 50 x 16.5 mm)	3.813.0723.04



### Accessories

Hinged Cover Screws	Size inches (mm)	Part Number
Hinged cover screw, slotted / cross head, blue, polyamide	.55 x 3.78" (14 x 96 mm)	3.813.0742.47
Hinged cover screw, wing head, blue, polyamide	.55 x 4.45" (14 x 113 mm)	3.813.0742.54



### Accessories

Cover Plugs	Size mm (inches)	Part Number
Cover plugs, polyethylene	.43 x Ø.59 / .67" (11 x Ø 15 / 17 mm)	3.813.0648.11




### Accessories

Extension Frame Screw	Size inches (mm)	Part Number
Screws for extension frame	Ø .67 x 2.64" (Ø 17 x 67 mm)	3.813.0748.03



### Accessories

Key	Size inches (mm)	Part Number
Key for DIN head screw	1.97 x 1.97" 50 x 50 mm	3.813.0724.10



### Accessories

Self-tapping standoffs	Size inches (mm)	Part Number
4 M5 Steel screws included	.59 x .31" (15 x 8 mm)	3.813.0718.02
4 Spacers included*	.59 x .31" (15 x 8 mm)	3.813.0723.42
4 M5 Steel screws included	.79 x .31" (20 x 8 mm)	3.813.0718.19
4 Spacers included*	.79 x .31" (20 x 8 mm)	3.813.0723.59
4 M5 Steel screws included	1.18 x .31" (30 x 8 mm)	3.813.0718.26
4 Spacers included*	1.18 x .31" (30 x 8 mm)	3.813.0723.66

\*Set consists of 4 spacers and 4 M5 screws made of steel.

Series 13 – Accessories

**Special Accessories**

A set of screws will be required when ordering a flange from page 47 & 48.




**Special Accessories**

Flanges Accessories	Size	Part Number
Extension frame for F2 flanges, PC	50 mm	3.813.0734.48
Self-adhesive flange gasket	F1	3.813.0719.25
Self-adhesive flange gasket	F2	3.813.0720.76
Flange bolt set, F1 size, steel bolt with plastic head	M6 x 20	3.813.0730.66
Flange bolt set, F2 size, steel bolt with plastic head	M8 x 20	3.813.0816.89
Flange bolt set, F2 size, steel bolt with plastic head + steel connector	M8 x 20	3.813.0730.80
Flange base support for size F2, PA	F2	3.813.0721.06



**Special Accessories**

Cover Flanges	Size	Part Number
PC / ABS, excluding gasket	F1	3.813.0718.33
PC, incl. PUR gasket	F2	3.813.0719.49



**Special Accessories**

Cable Access Flange, Set	Size	Part Number
Incl. gasket, for 1 cable ø 27–66 mm	F2	3.813.0816.72



**Special Accessories**

Flanges with Knockouts	Size	Part Number
Incl. PUR gasket, 7 x PG 11 + 4 x PG 9 / 16, PC	F2	3.813.0721.13
Incl. PUR gasket, 2 x PG 21 / 29 / 36 + 2 x PG 9 / 16 + 1 x PG 11, PC	F2	3.813.0723.97
Incl. PUR gasket, 5 x PG 16 / 21 + 2 x PG 11, PC	F2	3.813.0724.03
Incl. PUR gasket, 7 x M 16 + 7 x M 12 / 20	F2	3.813.0725.95
Incl. PUR gasket, 2 x M 20 / 32 / 50 + 2 x M 12 / 20 + 2 x M 16	F2	3.813.0726.25
Incl. PUR gasket, 5 x M 20 / 32 + 2 x M 16 + 1 x M 12 / 20	F2	3.813.0727.00

## Series 13 – Accessories

### Special Accessories

Flanges with Knockouts	Size inches (mm)	Part Number
Excluding gasket, 3 x PG 16, PC / ABS	F1	3.813.0718.40
Excluding gasket, 3 x PG 21, PC / ABS	F1	3.813.0718.57
Excluding gasket, 1 x PG 29, PC / ABS	F1	3.813.0718.64
Excluding gasket, 3 x $\varnothing$ .79" (20 mm), PC / ABS	F1	3.813.0526.41
Excluding gasket, 3 x $\varnothing$ .98" (25 mm), PC / ABS	F1	3.813.0526.58
Excluding gasket, 1 x $\varnothing$ 1.26" (32 mm), PC / ABS	F1	3.813.0526.65
Inc. PUR-gasket, 3 x PG 21 + 4 x PG 16, PC	F2	3.813.0719.56
Inc. PUR-gasket, 2 x PG 29 + 6 x PG 16, PC	F2	3.813.0719.63
Inc. PUR-gasket, 2 x PG 36 + 4 x PG 16, PC	F2	3.813.0719.70
Inc. PUR-gasket, 8 x PG 16, PC	F2	3.813.0719.87
Inc. PUR-gasket, 10 x PG 11, PC	F2	3.813.0719.94
Inc. PUR-gasket, 4 x $\varnothing$ .79" (20 mm) + 1 x $\varnothing$ .98" (25 mm) + 2 x $\varnothing$ 1.26" (32 mm), PC	F2	3.813.0526.72
Inc. PUR-gasket, 6 x $\varnothing$ .79" (20 mm) + 1 x $\varnothing$ 1.26" (32 mm) + 2 x $\varnothing$ 1.57" (40 mm), PC	F2	3.813.0526.89
Inc. PUR-gasket, 4 x $\varnothing$ 20 mm + 2 x $\varnothing$ 40 mm, PC	F2	3.813.0526.96
Inc. PUR-gasket, 8 x $\varnothing$ 20 mm, PC	F2	3.813.0527.02
Inc. PUR-gasket, 10 x $\varnothing$ 16 mm, PC	F2	3.813.0527.19



### Special Accessories

Flanges with Membrane Knockouts	Size inches (mm)	Part Number
For 5 x $\varnothing$ .28 - 1.18" (7 - 30 mm) cables, EPDM	F1	3.813.0718.71
For 25 x $\varnothing$ .08 - 1.02" (5 - 26 mm) cables, EPDM	F2	3.813.0720.07
For 35 x $\varnothing$ .08 - 1.02" (5 - 26 mm) cables, EPDM	F2	3.813.0720.14
For 3 x $\varnothing$ .94 - 2.36" (24 - 60 mm) cables, EPDM	F2	3.813.0720.21
Excluding gasket, 3 x $\varnothing$ .83" (21 mm) + 4 x $\varnothing$ .59" (15 mm), TPE	F1	3.813.0718.88
Excluding gasket, 4 x $\varnothing$ .63" (16 mm) + 6 x $\varnothing$ .51" (13 mm), TPE	F1	3.813.0718.95
Excluding gasket, 3 x $\varnothing$ 1.18" (30 mm) + 6 x $\varnothing$ .71" (18 mm) + 16 x $\varnothing$ .55" (14 mm), TPE	F2	3.813.0720.38
Excluding gasket, 9 x $\varnothing$ .71" (18 mm) + 24 x $\varnothing$ .55" (14 mm), TPE	F2	3.813.0720.45



# Wall Mounted Cabinets made of PC

## Series 14 with smooth walls

These Enclosures are equipped with pre-installed hinges. The accessories of series 13 fit these products.

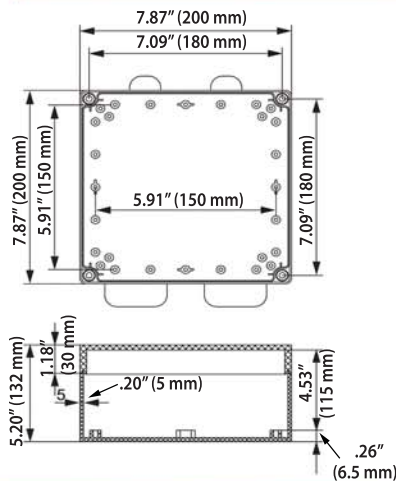
The following approved enclosures are available upon request:

Technical Information		Polycarbonate
Protection EN 60529		IP 66 / 67
Impact EN 50102 (+35 °C / -25 °C)		IK 08 / IK 08
Temperature range		-50 °C...+100 °C
Fire resistance per UL 94		V2...5 VA
Standard color		Grey RAL 7035
Gasket		PUR (Polyurethane)



## Wall mounted Enclosures made of Polycarbonate

### 7.87 x 7.87 x 5.20" (200 x 200 x 132 mm)



Polycarbonate	Part Number
Grey cover, plain sides	3.140.0743.08
Transp. cover*, plain sides	3.140.0743.84

Assembly and machining services of your enclosures are available upon request.  
 Drawings with additional dimensions can be furnished upon request.

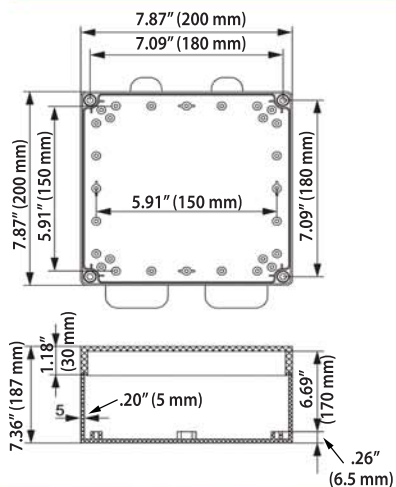
Accessories	Part Number
Mounting plate, 1,5 mm thick, galvanized steel	3.140.0646.75
DIN Rail, DIN 35	3.140.0647.43



Assembly screws are included.  
 \*Transparent cover always out of Polycarbonate

Additional accessories on page 57.

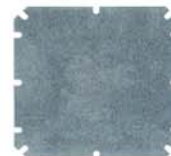
### 7.87 x 7.87 x 7.36" (200 x 200 x 187 mm)



Polycarbonate	Part Number
Grey cover, plain sides	3.140.0744.69
Transp. cover*, plain sides	3.140.0745.44

Assembly and machining services of your enclosures are available upon request.  
 Drawings with additional dimensions can be furnished upon request.

Accessories	Part Number
Mounting plate, 1,5 mm thick, galvanized steel	3.140.0646.75
DIN Rail, DIN 35	3.140.0647.43



This type Enclosure includes Extension Frame  
 Assembly screws are included.  
 \*Transparent cover always out of Polycarbonate

Additional accessories on page 57.

Wall mounted Enclosures made of Polycarbonate

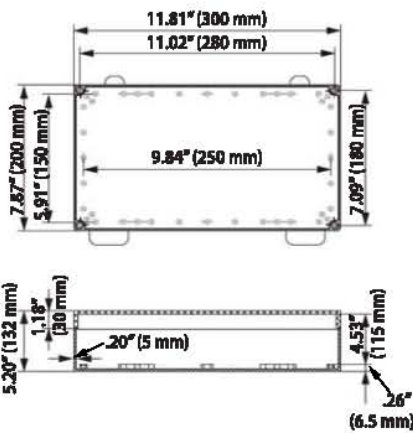
**7.87 x 11.81 x 5.20" (200 x 300 x 132 mm)**



Polycarbonate	Part Number
Grey cover, plain sides	3.140.0743.15
Transp. cover*, plain sides	3.140.0743.91

Accessories	Part Number
Mounting plate, 1,5 mm thick, galvanized steel	3.140.0646.82
DIN Rail, DIN 35, short side	3.140.0647.43
DIN Rail, DIN 35, long side	3.140.0647.50

Assembly and machining services of your enclosures are available upon request. Drawings with additional dimensions can be furnished upon request.



Assembly screws are included.  
\*Transparent cover always out of Polycarbonate

Additional accessories on page 57.

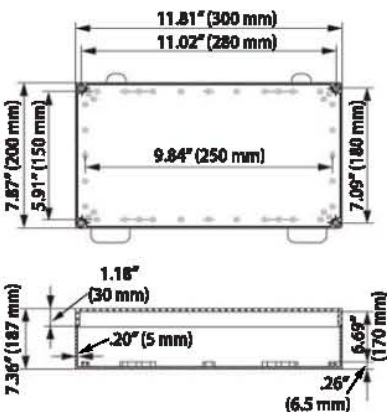
**7.87 x 11.81 x 7.36" (200 x 300 x 187 mm)**



Polycarbonate	Part Number
Grey cover, plain sides	3.140.0744.76
Transp. cover*, plain sides	3.140.0745.51

Accessories	Part Number
Mounting plate, 1,5 mm thick, galvanized steel	3.140.0646.82
DIN Rail, DIN 35, short side	3.140.0647.43
DIN Rail, DIN 35, long side	3.140.0647.50

Assembly and machining services of your enclosures are available upon request. Drawings with additional dimensions can be furnished upon request.



This type Enclosure includes Extension Frame  
Assembly screws are included.  
\*Transparent cover always out of Polycarbonate

Additional accessories on page 57.

## Wall mounted Enclosures made of Polycarbonate

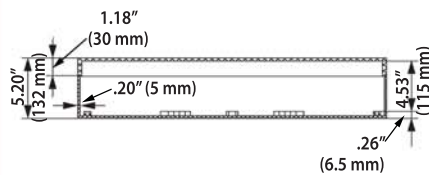
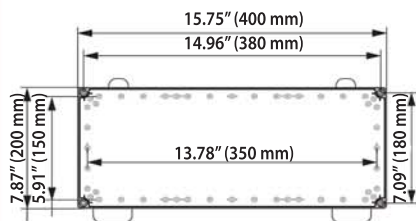
### 7.87 x 15.75 x 5.20" (200 x 400 x 132 mm)



Polycarbonate	Part Number
Grey cover, plain sides	3.140.0743.22
Transp. cover*, plain sides	3.140.0744.07

Assembly and machining services of your enclosures are available upon request. Drawings with additional dimensions can be furnished upon request.

Accessories	Part Number
Mounting plate, 1,5 mm thick, galvanized steel	3.140.0646.99
DIN Rail, DIN 35, short side	3.140.0647.43
DIN Rail, DIN 35, long side	3.140.0647.67



Assembly screws are included.  
\*Transparent cover always out of Polycarbonate

Additional accessories on page 57.

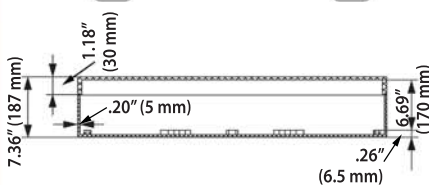
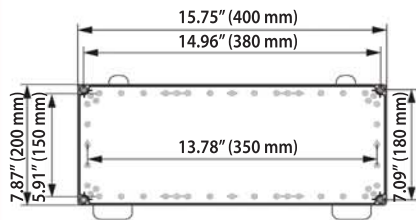
### 7.87 x 15.75 x 7.36" (200 x 400 x 187 mm)



Polycarbonate	Part Number
Grey cover, plain sides	3.140.0744.83
Transp. cover*, plain sides	3.140.0745.68

Assembly and machining services of your enclosures are available upon request. Drawings with additional dimensions can be furnished upon request.

Accessories	Part Number
Mounting plate, 1,5 mm thick, galvanized steel	3.140.0646.99
DIN Rail, DIN 35, short side	3.140.0647.43
DIN Rail, DIN 35, long side	3.140.0647.67



This type Enclosure includes Extension Frame  
Assembly screws are included.  
\*Transparent cover always out of Polycarbonate

Additional accessories on page 57.

Wall mounted Enclosures made of Polycarbonate

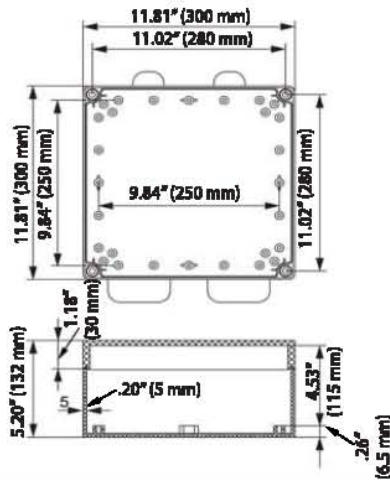
**11.81 x 11.81 x 5.20" (300 x 300 x 132 mm)**



Polycarbonate	Part Number
Grey cover, plain sides	3.140.0743.39
Transp. cover*, plain sides	3.140.0744.14

Accessories	Part Number
Mounting plate, 1,5 mm thick, galvanized steel	3.140.0647.05
DIN Rail, DIN 35	3.140.0647.50

Assembly and machining services of your enclosures are available upon request. Drawings with additional dimensions can be furnished upon request.



Assembly screws are included.  
\*Transparent cover always out of Polycarbonate

Additional accessories on page 57.

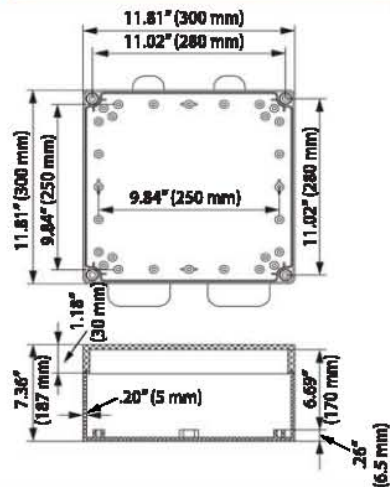
**11.81 x 11.81 x 7.36" (300 x 300 x 187 mm)**



Polycarbonate	Part Number
Grey cover, plain sides	3.140.0744.90
Transp. cover*, plain sides	3.140.0745.75

Accessories	Part Number
Mounting plate, 1,5 mm thick, galvanized steel	3.140.0647.05
DIN Rail, DIN 35	3.140.0647.50

Assembly and machining services of your enclosures are available upon request. Drawings with additional dimensions can be furnished upon request.

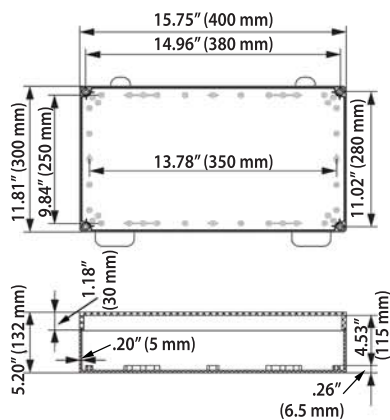


This type Enclosure includes Extension Frame  
Assembly screws are included.  
\*Transparent cover always out of Polycarbonate

Additional accessories on page 57.

## Wall mounted Enclosures made of Polycarbonate

### 11.81 x 15.75 x 5.20" (300 x 400 x 132 mm)



Polycarbonate	Part Number
Grey cover, plain sides	3.140.0743.46
Transp. cover*, plain sides	3.140.0744.21

Assembly and machining services of your enclosures are available upon request. Drawings with additional dimensions can be furnished upon request.

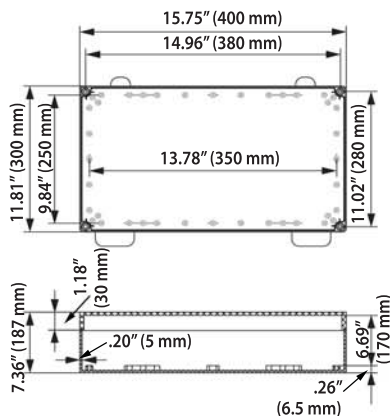
Accessories	Part Number
Mounting plate, 1,5 mm thick, galvanized steel	3.140.0647.12
DIN Rail, DIN 35, short side	3.140.0647.50
DIN Rail, DIN 35, long side	3.140.0647.67



Assembly screws are included.  
\*Transparent cover always out of Polycarbonate

Additional accessories on page 57.

### 11.81 x 15.75 x 7.36" (300 x 400 x 187 mm)



Polycarbonate	Part Number
Grey cover, plain sides	3.140.0745.06
Transp. cover*, plain sides	3.140.0745.82

Assembly and machining services of your enclosures are available upon request. Drawings with additional dimensions can be furnished upon request.

Accessories	Part Number
Mounting plate, 1,5 mm thick, galvanized steel	3.140.0647.12
DIN Rail, DIN 35, short side	3.140.0647.50
DIN Rail, DIN 35, long side	3.140.0647.67

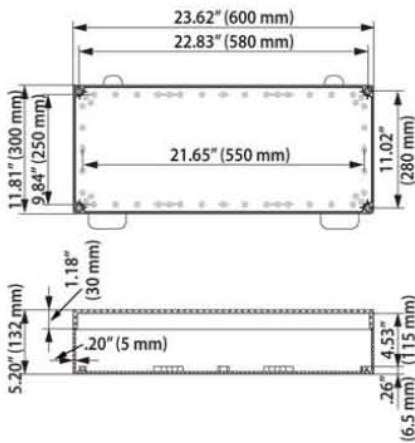


This type Enclosure includes Extension Frame  
Assembly screws are included.  
\*Transparent cover always out of Polycarbonate

Additional accessories on page 57.

Wall mounted Enclosures made of Polycarbonate

11.81 x 23.62 x 5.20" (300 x 600 x 132 mm)



Polycarbonate	Part Number
Grey cover, plain sides	3.140.0743.53
Transp. cover*, plain sides	3.140.0744.38

Assembly and machining services of your enclosures are available upon request. Drawings with additional dimensions can be furnished upon request.

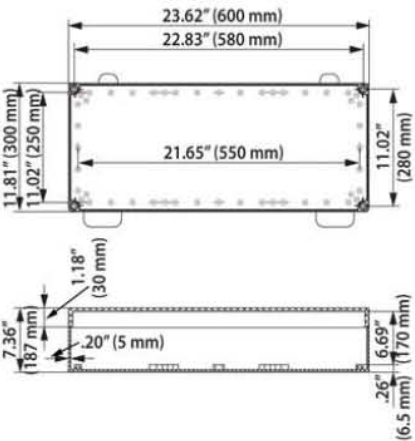
Accessories	Part Number
Mounting plate, 1,5 mm thick, galvanized steel	3.140.0647.29
DIN Rail, DIN 35, short side	3.140.0647.50



Assembly screws are included.  
\*Transparent cover always out of Polycarbonate

Additional accessories on page 57.

11.81 x 23.62 x 7.36" (300 x 600 x 187 mm)



Polycarbonate	Part Number
Grey cover, plain sides	3.140.0745.13
Transp. cover*, plain sides	3.140.0745.99

Assembly and machining services of your enclosures are available upon request. Drawings with additional dimensions can be furnished upon request.

Accessories	Part Number
Mounting plate, 1,5 mm thick, galvanized steel	3.140.0647.29
DIN Rail, DIN 35, short side	3.140.0647.50

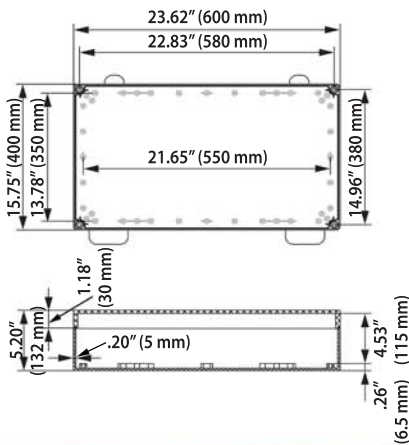


This type Enclosure includes Extension Frame  
Assembly screws are included.  
\*Transparent cover always out of Polycarbonate

Additional accessories on page 57.

## Wall mounted Enclosures made of Polycarbonate

### 15.75 x 23.62 x 5.20" (400 x 600 x 132 mm)



Polycarbonate	Part Number
Grey cover, plain sides	3.140.0743.77
Transp. cover*, plain sides	3.140.0744.52

Assembly and machining services of your enclosures are available upon request. Drawings with additional dimensions can be furnished upon request.

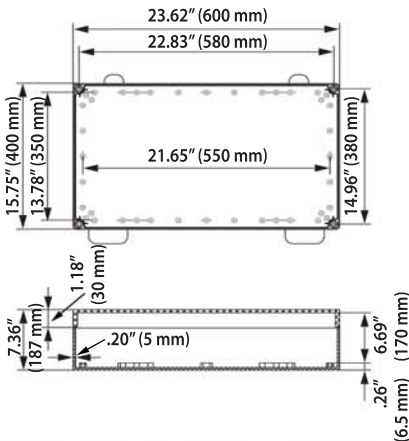
Accessories	Part Number
Mounting plate, 1,5 mm thick, galvanized steel	3.140.0647.36
DIN Rail, DIN 35, short side	3.140.0647.67



Assembly screws are included.  
\*Transparent cover always out of Polycarbonate

Additional accessories on page 57.

### 15.75 x 23.62 x 7.36" (400 x 600 x 187 mm)



Polycarbonate	Part Number
Grey cover, plain sides	3.140.0745.37
Transp. cover*, plain sides	3.140.0746.12

Assembly and machining services of your enclosures are available upon request. Drawings with additional dimensions can be furnished upon request.

Accessories	Part Number
Mounting plate, 1,5 mm thick, galvanized steel	3.140.0647.36
DIN Rail, DIN 35, short side	3.140.0647.67



This type Enclosure includes Extension Frame  
Assembly screws are included.  
\*Transparent cover always out of Polycarbonate

Additional accessories on page 57.



Accessories for Series 14.

Series 14 – Accessories

### Accessories

Outside Latches	Size inches (mm)	Part Number
Fastening Lugs, set	19 x 40 x 35.5" (.75 x 1.57 x 1.40 mm)	3.814.0647.81

### Accessories

Adjustable Corner Clips for Mounting Plate	Size inches (mm)	Part Number
Adjustable corner clips for mounting plate incl. M5 screw	.75 / .75 x .55" 19 / 19 x 14	3.814.0647.98
Adjustable corner clips for mounting plate set incl. 4 pcs.	.79 / 1.02 x .55" 20 / 26 x 14	3.814.0816.96

### Accessories

Brass Inserts	Size inches (mm)	Part Number
Threaded bushing for cover screws When cover mounted on the back	.71 / 1.18 x .63" 18 / 30 x 16 mm	3.814.0717.89

Brass Inserts	Size inches (mm)	Part Number
Threaded brass inserts	M3	3.814.0723.28
Set of threaded inserts (4 pieces)	M3	3.814.0723.35

### Accessories

Cover Screws	Size inches (mm)	Part Number
Cover screws, slotted / cross head, sealable	.55 x 1.65" (14 x 42 mm)	3.814.0745.90
Cover screws, slotted / cross head, dark grey made of noryl	.55 x 1.65" (14 x 42 mm)	3.814.0747.28
Cover screws, slotted / cross head, for 600 mm modular cover	.55 x 1.26" (14 x 32 mm)	3.814.0743.60
Cover screws, spring loaded, cross head	.55 x 2.44" (14 x 62 mm)	3.814.0730.73
Cover screws, wing head	.55 x 2.17" (14 x 55 mm)	3.814.0717.62
Cover screws, DIN 3 head	.55 x 1.65" (14 x 42 mm)	3.814.0717.72
Cover screws set incl. 4 cover screws and 4 brass inserts	.67 x 1.18 / .71" (17 x 30 / 18 mm)	3.814.0717.02


### Accessories

Mounting Screws	Size mm (inches)	Part Number
Mounting screws for plates and rails	.20 x .39" (5 x 10 mm)	3.814.0648.04

## Series 14 – Accessories

### Accessories

Hinges	Size mm (inches)	Part Number
Hinges (pair)	1.57 x 1.97 x .65" (40 x 50 x 16.5 mm)	3.814.0647.74
Hinges (pair), incl. 2 cover plugs	1.57 x 1.97 x .65" (40 x 50 x 16.5 mm)	3.814.0723.04




### Accessories

Hinged Cover Screws	Size inches (mm)	Part Number
Hinged cover screw, slotted / cross head, sealable	.55 x 3.78" (14 x 96 mm)	3.814.0742.47
Hinged cover screw, wing head, blue, polyamide	.55 x 4.45" (14 x 113 mm)	3.814.0742.54



### Accessories

Cover Plugs	Size inches (mm)	Part Number
Cover plugs, polyethylene	.43 x .59 / .67" 11 x 15 / 17 mm	3.814.0648.11




### Accessories

Extension Frame Screw	Size mm (inches)	Part Number
Screws for extension frame	∅.67 x 2.64" (∅17 x 67 mm)	3.814.0748.03



### Accessories

Key	Size inches (mm)	Part Number
Key for DIN head screw	1.97 x 1.97" (50 x 50 mm)	3.814.0724.10



### Accessories

Self-tapping standoffs	Size inches (mm)	Part Number
4 M5 Steel screws included	.59 x .31" 15 x 8 mm	3.814.0718.02
4 Spacers included*	.59 x .31" 15 x 8 mm	3.814.0723.42
4 M5 Steel screws included	.79 x .31" 20 x 8 mm	3.814.0718.19
4 Spacers included*	.79 x .31" 20 x 8 mm	3.814.0723.59
4 M5 Steel screws included	1.18 x .31" 30 x 8 mm	3.814.0718.26
4 Spacers included*	1.18 x .31" 30 x 8 mm	3.814.0723.66

\*Set consists of 4 spacers and 4 M5 screws made of steel.

# Aluminium Enclosures

## Series 15 with smooth walls

HUMMEL aluminium enclosures are made of Al Si 12 and are RAL 7001 silver grey powder coated. Hinges can be mounted to its sides, latches to the bottom. Aluminium resist numerous alclis and chemicals as well as oil and gasoline. They are very impact resistant.

Enclosures are available plain or in any RAL color. Other sizes are available upon request

The following approved enclosures are available upon request:

Technical Information		Aluminium
Protection EN 60529		IP 66
Impact EN 50102 (+35 °C / -25 °C)		IK 09
Temperature range		-40 °C...+80 °C
Standard color		Grey RAL 7001
Gasket		Buna-N
Cover screws		Stainless steel



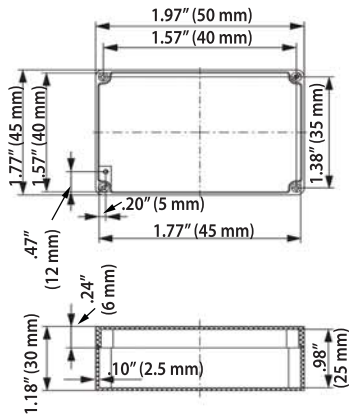
## Aluminium Enclosures

### 1.97 x 1.77 x 1.18" (50 x 45 x 30 mm)



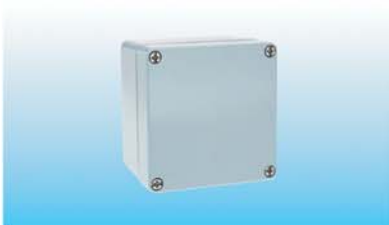
Aluminium	Part Number
Grey	3.150.0654.50

Assembly and machining services of your enclosures are available upon request. Drawings with additional dimensions can be furnished upon request.



Cover screws and assembly screws are included.

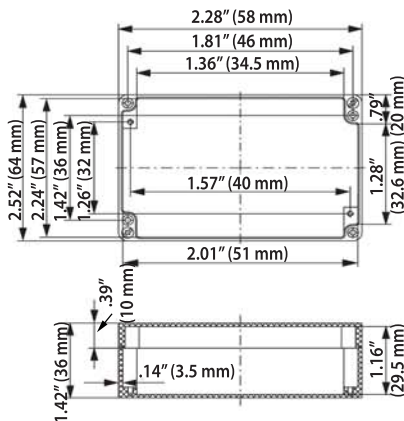
### 2.52 x 2.28 x 1.42" (64 x 58 x 36 mm)



Aluminium	Part Number
Grey	3.150.0657.71

Accessories	Part Number
Mounting plate, galvanized steel	3.150.0575.47

Assembly and machining services of your enclosures are available upon request. Drawings with additional dimensions can be furnished upon request.



Cover screws and assembly screws are included.

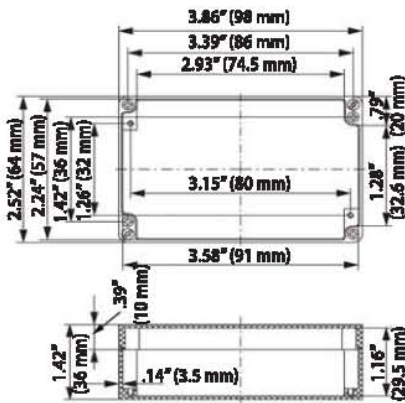
**2.52 x 3.86 x 1.42" (64 x 98 x 36 mm)**



Aluminium	Part Number
Grey	3.150.0657.88

Accessories	Part Number
Mounting plate, galvanized steel	3.150.0575.54

Assembly and machining services of your enclosures are available upon request. Drawings with additional dimensions can be furnished upon request.



Cover screws and assembly screws are included.

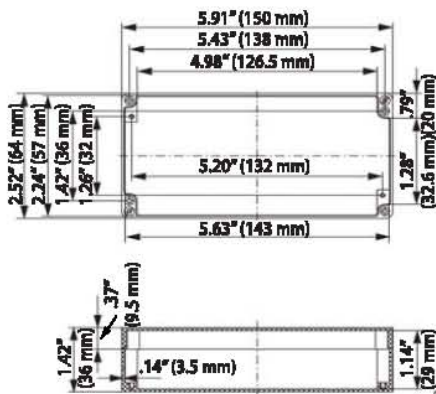
**2.52 x 5.91 x 1.42" (64 x 150 x 36 mm)**



Aluminium	Part Number
Grey	3.150.0657.95

Accessories	Part Number
Mounting plate, galvanized steel	3.150.0575.61

Assembly and machining services of your enclosures are available upon request. Drawings with additional dimensions can be furnished upon request.



Cover screws and assembly screws are included.

## Aluminium Enclosures

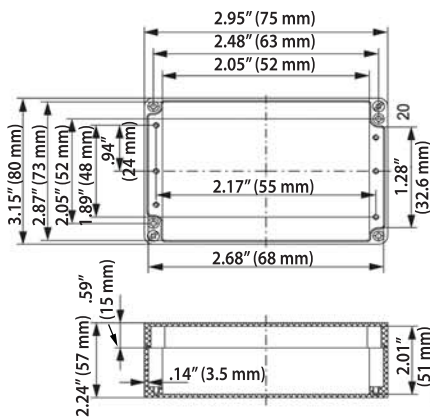
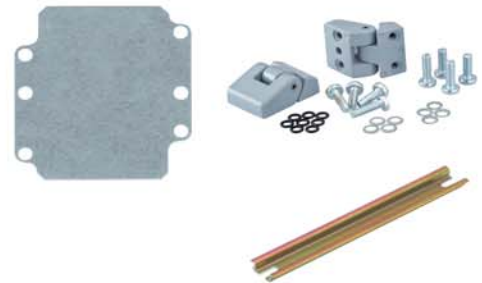
### 3.15 x 2.95 x 2.24" (80 x 75 x 57 mm)



Aluminium	Part Number
Grey	3.150.0658.01

Assembly and machining services of your enclosures are available upon request. Drawings with additional dimensions can be furnished upon request.

Accessories	Part Number
Mounting plate, galvanized steel	3.150.0575.78
DIN Rail, DIN 15	3.150.0570.11
Hinges, pair	3.150.0577.45



Cover screws and assembly screws are included.

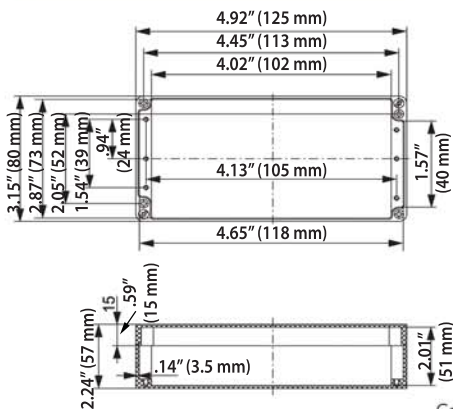
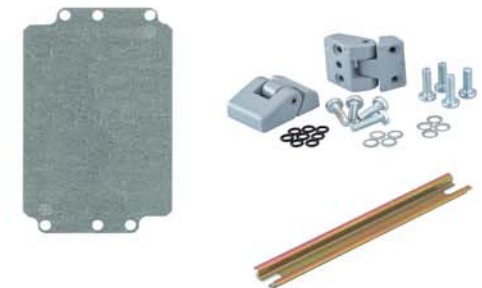
### 3.15 x 4.92 x 2.24" (80 x 125 x 57 mm)



Aluminium	Part Number
Grey	3.150.0658.18

Assembly and machining services of your enclosures are available upon request. Drawings with additional dimensions can be furnished upon request.

Accessories	Part Number
Mounting plate, galvanized steel	3.150.0575.85
DIN Rail, DIN 15	3.150.0570.28
Hinges, pair	3.150.0577.45



Cover screws and assembly screws are included.

Aluminium Enclosures

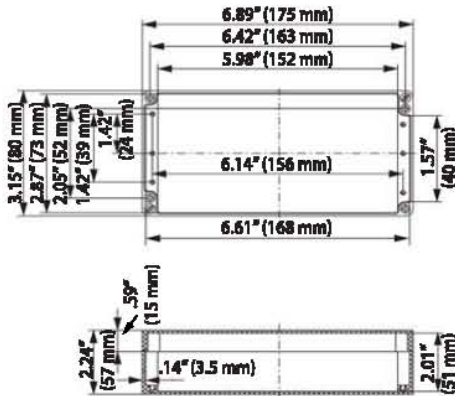
**3.15 x 6.89 x 2.24" (80 x 175 x 57 mm)**



Aluminium	Part Number
Grey	3.150.0658.25

Assembly and machining services of your enclosures are available upon request. Drawings with additional dimensions can be furnished upon request.

Accessories	Part Number
Mounting plate, galvanized steel	3.150.0575.92
DIN Rail, DIN 15	3.150.0570.35
Hinges, pair	3.150.0577.45



Cover screws and assembly screws are included.



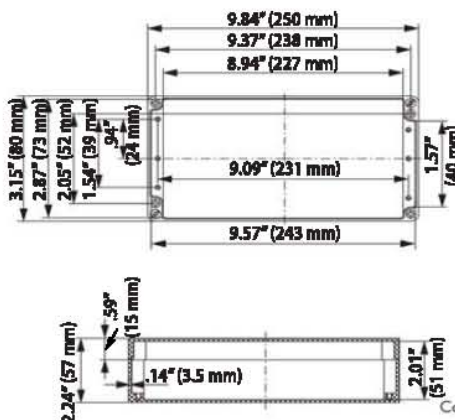
**3.15 x 9.84 x 2.24" (80 x 250 x 57 mm)**



Aluminium	Part Number
Grey	3.150.0658.32

Assembly and machining services of your enclosures are available upon request. Drawings with additional dimensions can be furnished upon request.

Accessories	Part Number
Mounting plate, galvanized steel	3.150.0573.87
DIN Rail, DIN 15	3.150.0570.42
Hinges, pair	3.150.0577.45

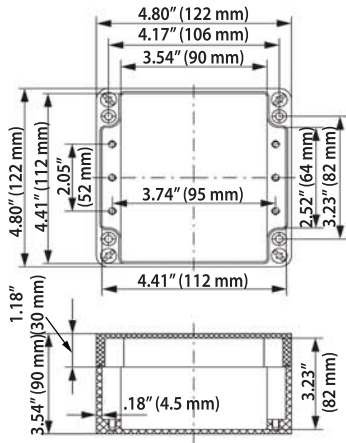


Cover screws and assembly screws are included.



## Aluminium Enclosures

### 4.80 x 4.80 x 3.54" (122 x 122 x 90 mm)



Aluminium	Part Number
Grey	3.150.0658.49

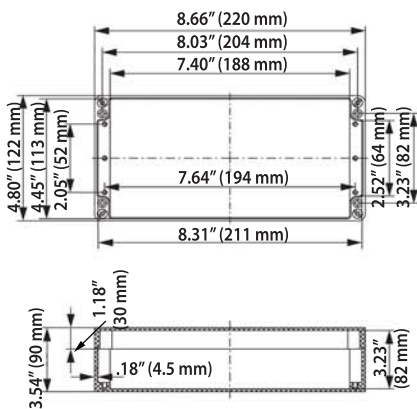
Assembly and machining services of your enclosures are available upon request. Drawings with additional dimensions can be furnished upon request.

Accessories	Part Number
Mounting plate, galvanized steel	3.150.0576.08
DIN Rail, DIN 32	3.150.0571.72
DIN Rail, DIN 35	3.150.0570.59
Hinges, pair	3.150.0569.53
Fastening lugs, AISI 304	3.150.0569.77



Cover screws and assembly screws are included.

### 4.80 x 8.66 x 3.54" (122 x 220 x 90 mm)



Aluminium	Part Number
Grey	3.150.0658.56

Assembly and machining services of your enclosures are available upon request. Drawings with additional dimensions can be furnished upon request.

Accessories	Part Number
Mounting plate, galvanized steel	3.150.0576.15
DIN Rail, DIN 32	3.150.0571.89
DIN Rail, DIN 35	3.150.0570.66
Hinges, pair	3.150.0569.53
Fastening lugs, AISI 304	3.150.0569.77



Cover screws and assembly screws are included.

Aluminium Enclosures

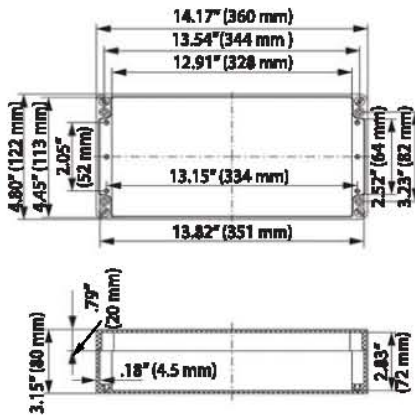
**4.80 x 14.17 x 3.15" (122 x 360 x 80 mm)**



Aluminium	Part Number
Grey	3.150.0658.63

Assembly and machining services of your enclosures are available upon request. Drawings with additional dimensions can be furnished upon request.

Accessories	Part Number
Mounting plate, galvanized steel	3.150.0576.22
DIN Rail, DIN 32	3.150.0571.96
DIN Rail, DIN 35	3.150.0570.73
Hinges, pair	3.150.0569.53
Fastening lugs, AISI 304	3.150.0569.77



Cover screws and assembly screws are included.



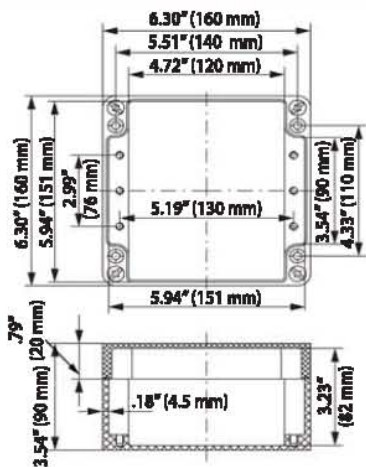
**6.30 x 6.30 x 3.54" (160 x 160 x 90 mm)**



Aluminium	Part Number
Grey	3.150.0658.70

Assembly and machining services of your enclosures are available upon request. Drawings with additional dimensions can be furnished upon request.

Accessories	Part Number
Mounting plate, galvanized steel	3.150.0576.39
DIN Rail, DIN 32	3.150.0572.02
DIN Rail, DIN 35	3.150.0570.80
Hinges, pair	3.150.0569.53
Fastening lugs, AISI 304	3.150.0569.77



Cover screws and assembly screws are included.



## Aluminium Enclosures

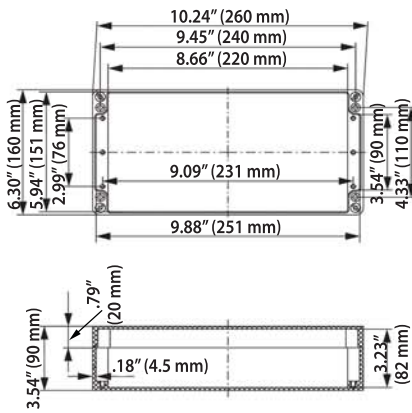
### 6.30 x 10.24 x 3.54" (160 x 260 x 90 mm)



Aluminium	Part Number
Grey	3.150.0658.87

Assembly and machining services of your enclosures are available upon request. Drawings with additional dimensions can be furnished upon request.

Accessories	Part Number
Mounting plate, galvanized steel	3.150.0576.46
DIN Rail, DIN 32	3.150.0572.19
DIN Rail, DIN 35	3.150.0570.97
Hinges, pair	3.150.0569.53
Fastening lugs, AISI 304	3.150.0569.77



Cover screws and assembly screws are included.



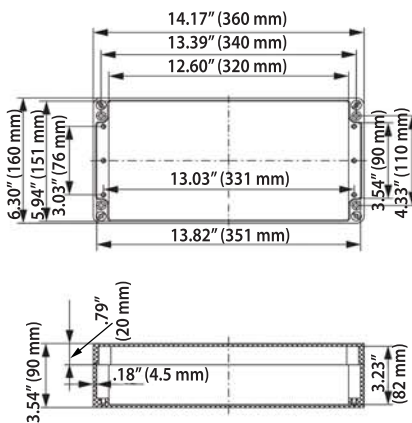
### 6.30 x 14.17 x 3.54" (160 x 360 x 90 mm)



Aluminium	Part Number
Grey	3.150.0658.94

Assembly and machining services of your enclosures are available upon request. Drawings with additional dimensions can be furnished upon request.

Accessories	Part Number
Mounting plate, galvanized steel	3.150.0576.53
DIN Rail, DIN 32	3.150.0571.96
DIN Rail, DIN 35	3.150.0570.73
Hinges, pair	3.150.0569.53
Fastening lugs, AISI 304	3.150.0569.77



Cover screws and assembly screws are included.



Aluminium Enclosures

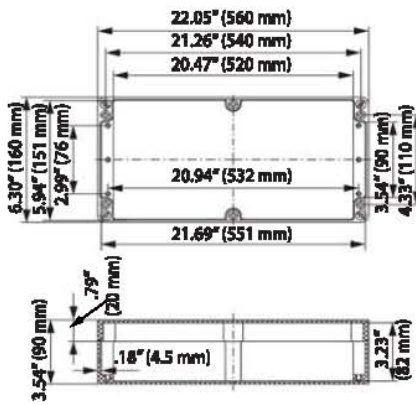
**6.30 x 22.05 x 3.54" (160 x 560 x 90 mm)**



Aluminium	Part Number
Grey	3.150.0659.00

Assembly and machining services of your enclosures are available upon request. Drawings with additional dimensions can be furnished upon request.

Accessories	Part Number
Mounting plate, galvanized steel	3.150.0576.60
DIN Rail, DIN 32	3.150.0572.26
DIN Rail, DIN 35	3.150.0571.03
Hinges, pair	3.150.0569.53
Fastening lugs, AISI 304	3.150.0569.77



Cover screws and assembly screws are included.



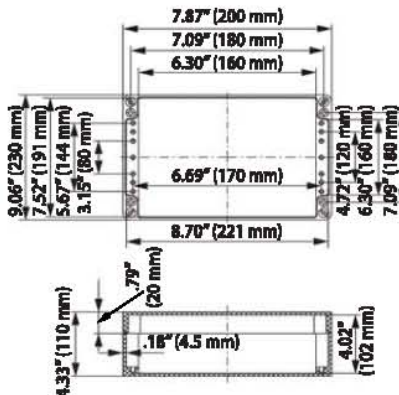
**7.87 x 9.06 x 4.33" (200 x 230 x 110 mm)**



Aluminium	Part Number
Grey	3.150.0659.17

Assembly and machining services of your enclosures are available upon request. Drawings with additional dimensions can be furnished upon request.

Accessories	Part Number
Mounting plate, galvanized steel	3.150.0576.77
DIN Rail, DIN 32	3.150.0572.33
DIN Rail, DIN 35	3.150.0571.10
Hinges, pair	3.150.0569.53
Fastening lugs, AISI 304	3.150.0569.78

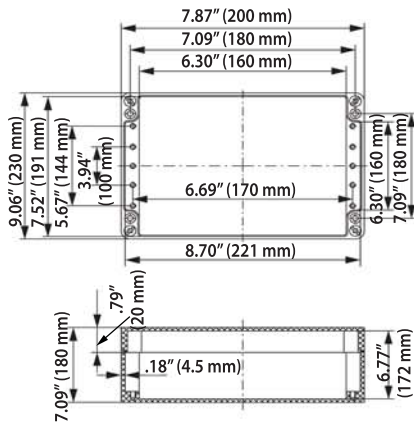
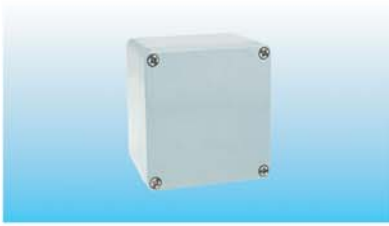


Cover screws and assembly screws are included.



## Aluminium Enclosures

### 7.87 x 9.06 x 7.09" (200 x 230 x 180 mm)



Aluminium	Part Number
Grey	3.150.0659.24

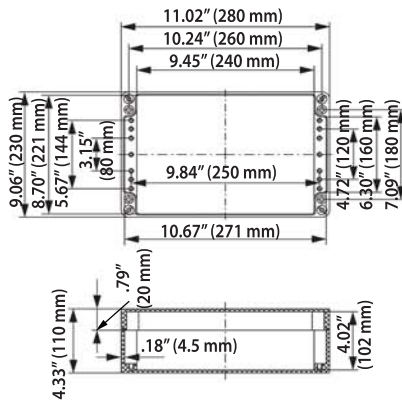
Assembly and machining services of your enclosures are available upon request. Drawings with additional dimensions can be furnished upon request.

Accessories	Part Number
Mounting plate, galvanized steel	3.150.0576.77
DIN Rail, DIN 32	3.150.0572.33
DIN Rail, DIN 35	3.150.0571.10
Hinges, pair	3.150.0569.53
Fastening lugs, AISI 304	3.150.0569.78



Cover screws and assembly screws are included.

### 9.06 x 11.02 x 4.33" (230 x 280 x 110 mm)



Aluminium	Part Number
Grey	3.150.0659.31

Assembly and machining services of your enclosures are available upon request. Drawings with additional dimensions can be furnished upon request.

Accessories	Part Number
Mounting plate, galvanized steel	3.150.0576.48
DIN Rail, DIN 32	3.150.0572.40
DIN Rail, DIN 35	3.150.0571.34
Hinges, pair	3.150.0569.53
Fastening lugs, AISI 304	3.150.0569.78



Cover screws and assembly screws are included.

Aluminium Enclosures

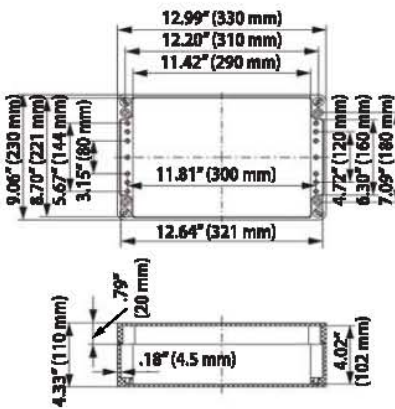
**9.06 x 12.99 x 4.33" (230 x 330 x 110 mm)**



Aluminium	Part Number
Grey	3.150.0659.48

Assembly and machining services of your enclosures are available upon request. Drawings with additional dimensions can be furnished upon request.

Accessories	Part Number
Mounting plate, galvanized steel	3.150.0576.91
DIN Rail, DIN 32	3.150.0572.57
DIN Rail, DIN 35	3.150.0571.41
Hinges, pair	3.150.0569.53
Fastening lugs, AISI 304	3.150.0569.78



Cover screws and assembly screws are included.



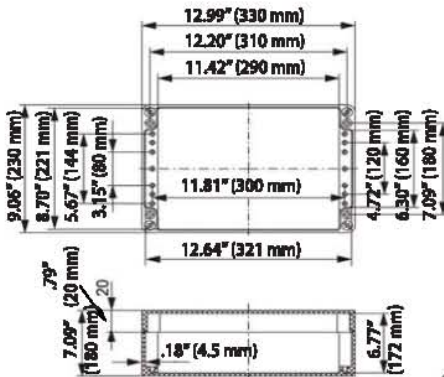
**9.06 x 12.99 x 7.09" (230 x 330 x 180 mm)**



Aluminium	Part Number
Grey	3.150.0659.55

Assembly and machining services of your enclosures are available upon request. Drawings with additional dimensions can be furnished upon request.

Accessories	Part Number
Mounting plate, galvanized steel	3.150.0576.91
DIN Rail, DIN 32	3.150.0572.57
DIN Rail, DIN 35	3.150.0571.41
Hinges, pair	3.150.0569.53
Fastening lugs, AISI 304	3.150.0569.78



Cover screws and assembly screws are included.



## Aluminium Enclosures

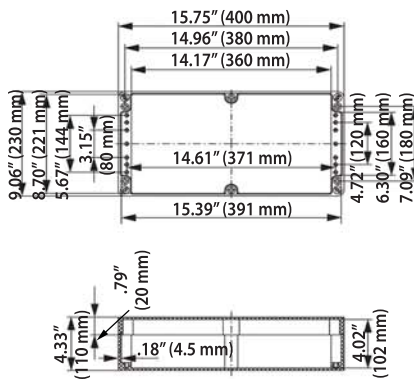
### 9.06 x 15.75 x 4.33" (230 x 400 x 110 mm)



Aluminium	Part Number
Grey	3.150.0659.62

Assembly and machining services of your enclosures are available upon request. Drawings with additional dimensions can be furnished upon request.

Accessories	Part Number
Mounting plate, galvanized steel	3.150.0577.07
DIN Rail, DIN 32	3.150.0572.64
DIN Rail, DIN 35	3.150.0571.58
Hinges, pair	3.150.0569.53
Fastening lugs, AISI 304	3.150.0569.78



Cover screws and assembly screws are included.



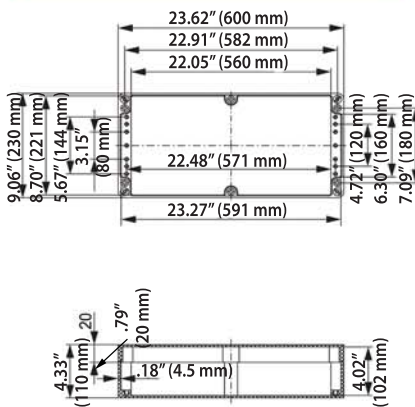
### 9.06 x 23.62 x 4.33" (230 x 600 x 110 mm)



Aluminium	Part Number
Grey	3.150.0659.79

Assembly and machining services of your enclosures are available upon request. Drawings with additional dimensions can be furnished upon request.

Accessories	Part Number
Mounting plate, galvanized steel	3.150.0577.14
DIN Rail, DIN 32	3.150.0572.71
DIN Rail, DIN 35	3.150.0571.65
Hinges, pair	3.150.0569.53
Fastening lugs, AISI 304	3.150.0569.78



Cover screws and assembly screws are included.



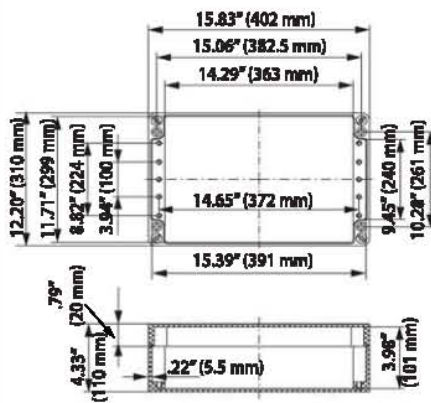
**12.20 x 15.83 x 4.33" (310 x 402 x 110 mm)**



Aluminium	Part Number
Grey	3.150.0659.86

Assembly and machining services of your enclosures are available upon request. Drawings with additional dimensions can be furnished upon request.

Accessories	Part Number
Mounting plate, galvanized steel	3.150.0577.21
DIN Rail, DIN 32	3.150.0572.64
DIN Rail, DIN 35	3.150.0571.58
Hinges, pair	3.150.0569.53
Fastening lugs, AISI 304	3.150.0569.78



Cover screws and assembly screws are included.



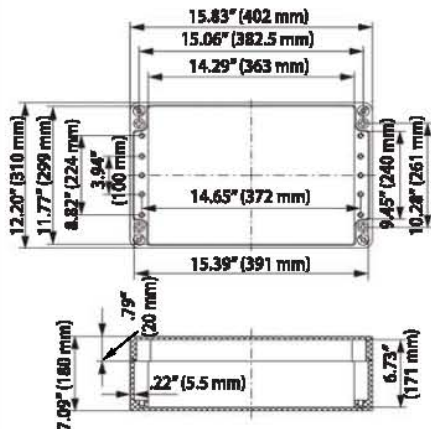
**12.20 x 15.83 x 7.09" (310 x 402 x 180 mm)**



Aluminium	Part Number
Grey	3.150.0659.93

Assembly and machining services of your enclosures are available upon request. Drawings with additional dimensions can be furnished upon request.

Accessories	Part Number
Mounting plate, galvanized steel	3.150.0577.21
DIN Rail, DIN 32	3.150.0572.64
DIN Rail, DIN 35	3.150.0571.58
Hinges, pair	3.150.0569.53
Fastening lugs, AISI 304	3.150.0569.78



Cover screws and assembly screws are included.



## Aluminium Enclosures

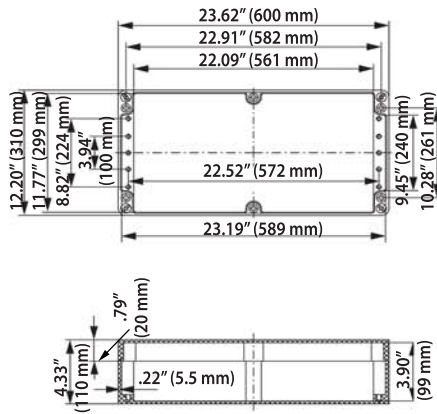
### 12.20 x 23.62 x 4.33" (310 x 600 x 110 mm)



Aluminium	Part Number
Grey	3.150.0660.06

Assembly and machining services of your enclosures are available upon request. Drawings with additional dimensions can be furnished upon request.

Accessories	Part Number
Mounting plate, galvanized steel	3.150.0577.38
DIN Rail, DIN 32	3.150.0572.71
DIN Rail, DIN 35	3.150.0571.65
Hinges, pair	3.150.0569.53
Fastening lugs, AISI 304	3.150.0569.78



Cover screws and assembly screws are included.



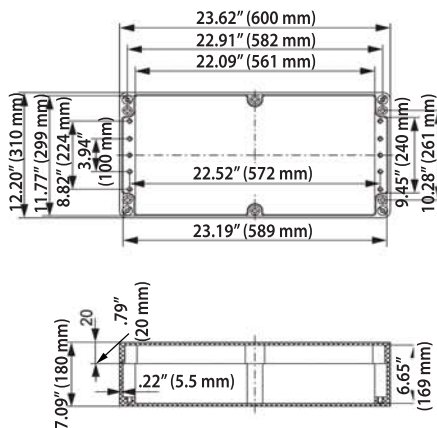
### 12.20 x 23.62 x 7.09" (310 x 600 x 180 mm)



Aluminium	Part Number
Grey	3.150.0660.13

Assembly and machining services of your enclosures are available upon request. Drawings with additional dimensions can be furnished upon request.

Accessories	Part Number
Mounting plate, galvanized steel	3.150.0577.38
DIN Rail, DIN 32	3.150.0572.71
DIN Rail, DIN 35	3.150.0571.65
Hinges, pair	3.150.0569.53
Fastening lugs, AISI 304	3.150.0569.78



Cover screws and assembly screws are included.



# Enclosures made of Polyester

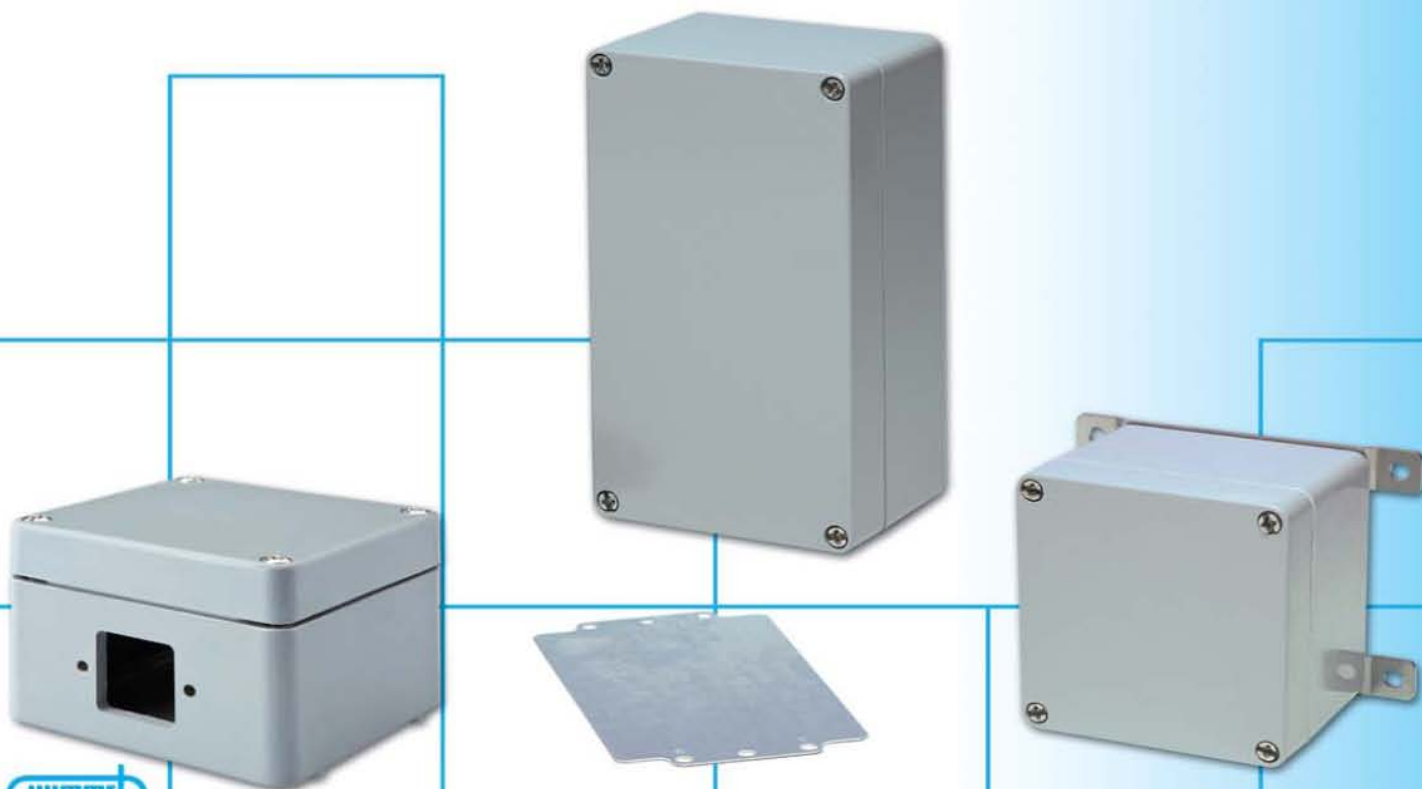
## Series 17 with smooth walls

Enclosures are made of fiber reinforced Polyester. They feature plain walls and captive stainless steel screws for the cover.

Due to their rugged construction, very good corrosion and chemical resistance, these Enclosures are suitable for chemical, and petrochemical environments.



Technical Information		Polyester
Protection EN 60529		IP 65
Impact EN 50102		IK 07
(+35 °C / -25 °C)		
Temperature range		-40 °C...+100 °C
Standard color		Grey RAL 7000
Gasket		Buna-N
Cover screws made of		AISI 304
Stainless steel		
Fire resistance per UL 94		V-0



## Enclosures made of Polyester

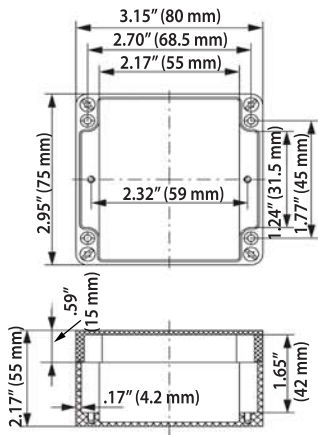
### 2.95 x 3.15 x 2.17" (75 x 80 x 55 mm)



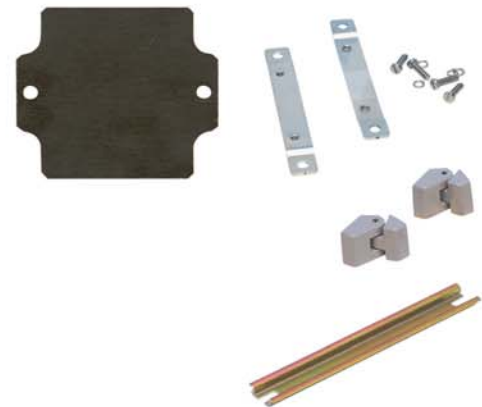
Polyester	Part Number
Grey	3.170.0656.10

Assembly and machining services of your enclosures are available upon request. Drawings with additional dimensions can be furnished upon request.

Accessories	Part Number
Mounting plate made of Pertinax	3.170.0577.52
DIN Rail, DIN 15	3.170.0578.99
Hinges, pair	3.170.0578.82
Fastening lugs, AISI 304	3.170.0572.88



Cover screws are included.



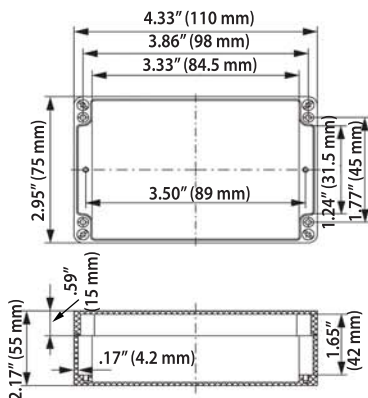
### 2.95 x 4.33 x 2.17" (75 x 110 x 55 mm)



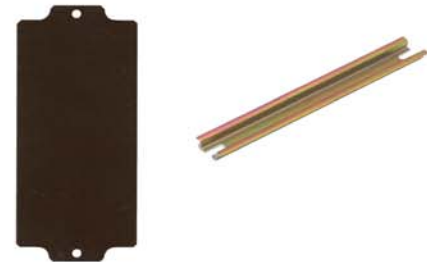
Polyester	Part Number
Grey	3.170.0656.27

Assembly and machining services of your enclosures are available upon request. Drawings with additional dimensions can be furnished upon request.

Accessories	Part Number
Mounting plate made of Pertinax	3.170.0577.69
DIN Rail, DIN 15	3.170.0579.05



Cover screws are included.



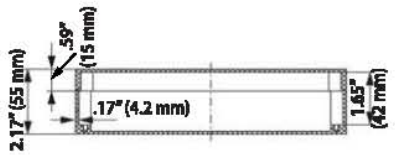
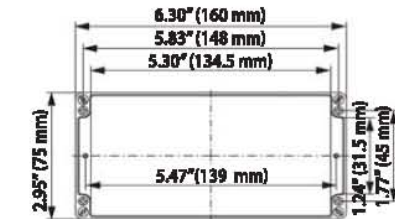
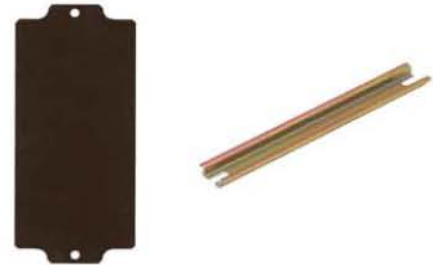
**2.95 x 6.30 x 2.17" (75 x 160 x 55 mm)**



Polyester	Part Number
Grey	3.170.0656.34

Accessories	Part Number
Mounting plate made of Pertinax	3.170.0577.96
DIN Rail, DIN 15	3.170.0579.12

Assembly and machining services of your enclosures are available upon request. Drawings with additional dimensions can be furnished upon request.



Cover screws are included.

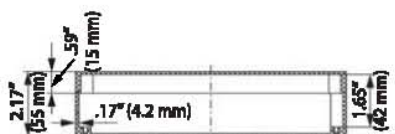
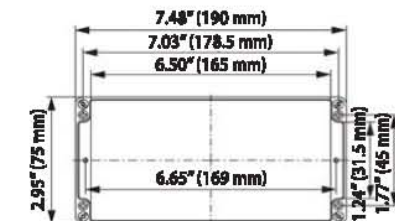
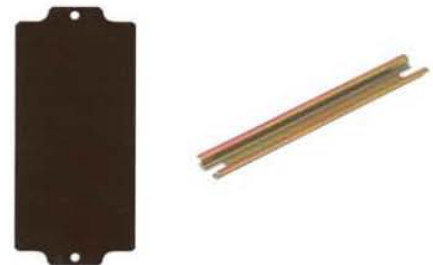
**2.95 x 7.48 x 2.17" (75 x 190 x 55 mm)**



Polyester	Part Number
Grey	3.170.0656.41

Accessories	Part Number
Mounting plate made of Pertinax	3.170.0577.83
DIN Rail, DIN 15	3.170.0579.29

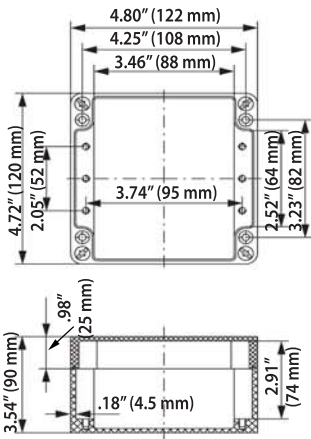
Assembly and machining services of your enclosures are available upon request. Drawings with additional dimensions can be furnished upon request.



Cover screws are included.

## Enclosures made of Polyester

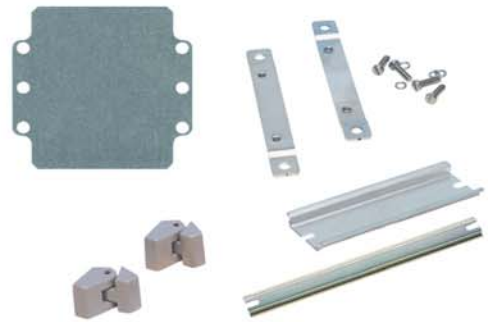
### 4.72 x 4.80 x 3.54" (120 x 122 x 90 mm)



Polyester	Part Number
Grey	3.170.0656.58

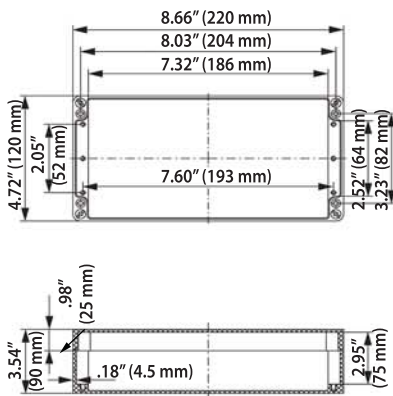
Assembly and machining services of your enclosures are available upon request. Drawings with additional dimensions can be furnished upon request.

Accessories	Part Number
Mounting plate, galvanized steel	3.170.0577.90
DIN Rail, DIN 32	3.170.0571.72
DIN Rail, DIN 35	3.170.0570.59
Hinges, pair	3.170.0578.82
Fastening lugs, AISI 304	3.170.0572.95



Cover screws are included.

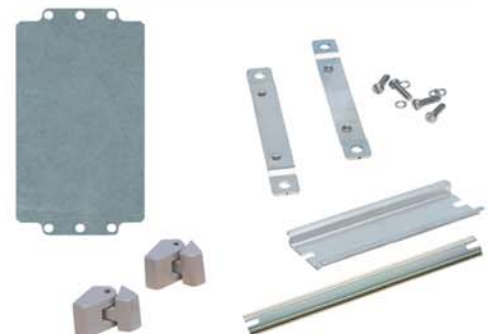
### 4.72 x 8.66 x 3.54" (120 x 220 x 90 mm)



Polyester	Part Number
Grey	3.170.0656.72

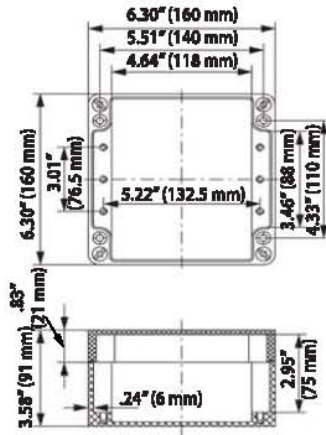
Assembly and machining services of your enclosures are available upon request. Drawings with additional dimensions can be furnished upon request.

Accessories	Part Number
Mounting plate, galvanized steel	3.170.0578.06
DIN Rail, DIN 32	3.170.0571.89
DIN Rail, DIN 35	3.170.0570.66
Hinges, pair	3.170.0578.82
Fastening lugs, AISI 304	3.170.0572.95



Cover screws are included.

**6.30 x 6.30 x 3.58" (160 x 160 x 91 mm)**

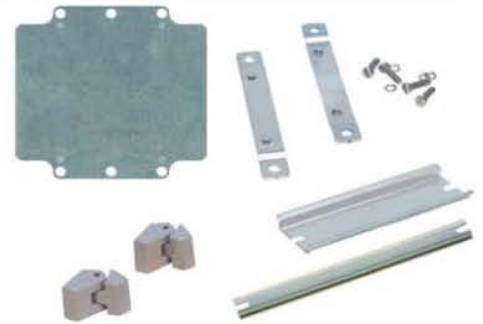


Polyester	Part Number
Grey	3.170.0656.89

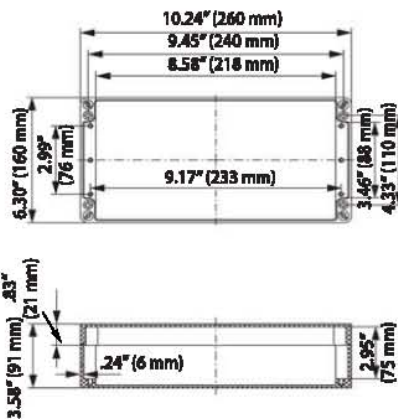
Assembly and machining services of your enclosures are available upon request. Drawings with additional dimensions can be furnished upon request.

Cover screws are included.

Accessories	Part Number
Mounting plate, galvanized steel	3.170.0578.13
DIN Rail, DIN 32	3.170.0572.02
DIN Rail, DIN 35	3.170.0570.80
Hinges, pair	3.170.0578.82
Fastening lugs, AISI 304	3.170.0573.01



**6.30 x 10.24 x 3.58" (160 x 260 x 91 mm)**

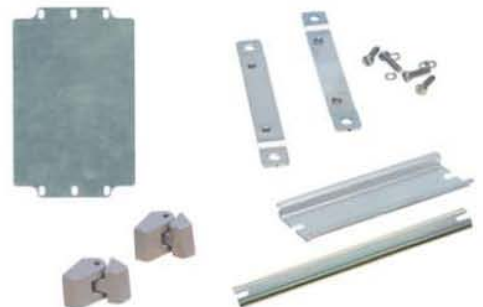


Polyester	Part Number
Grey	3.170.0657.02

Assembly and machining services of your enclosures are available upon request. Drawings with additional dimensions can be furnished upon request.

Cover screws are included.

Accessories	Part Number
Mounting plate, galvanized steel	3.170.0578.20
DIN Rail, DIN 32	3.170.0572.19
DIN Rail, DIN 35	3.170.0570.97
Hinges, pair	3.170.0578.82
Fastening lugs, AISI 304	3.170.0573.01



## Enclosures made of Polyester

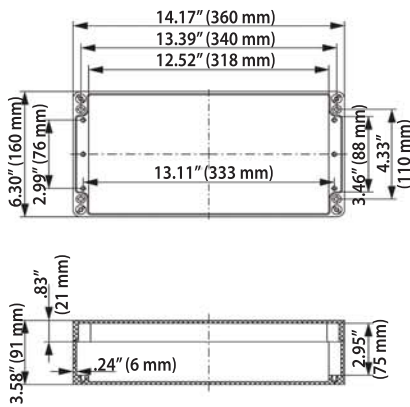
### 6.30 x 14.17 x 3.58" (160 x 360 x 91 mm)



Polyester	Part Number
Grey	3.170.0657.19

Assembly and machining services of your enclosures are available upon request. Drawings with additional dimensions can be furnished upon request.

Accessories	Part Number
Mounting plate, galvanized steel	3.170.0578.37
DIN Rail, DIN 32	3.170.0580.87
DIN Rail, DIN 35	3.170.0579.74
Hinges, pair	3.170.0578.82
Fastening lugs, AISI 304	3.170.0573.01



Cover screws are included.



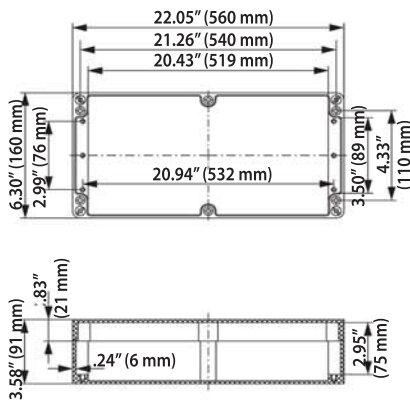
### 6.30 x 22.05 x 3.58" (160 x 560 x 91 mm)



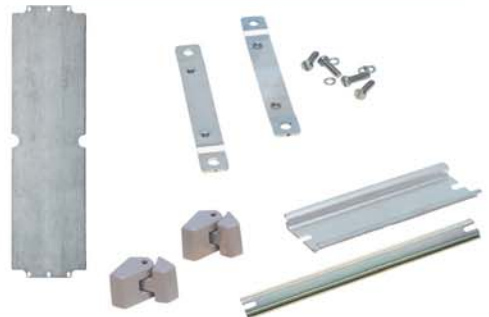
Polyester	Part Number
Grey	3.170.0657.26

Assembly and machining services of your enclosures are available upon request. Drawings with additional dimensions can be furnished upon request.

Accessories	Part Number
Mounting plate, galvanized steel	3.170.0578.44
DIN Rail, DIN 32	3.170.0572.26
DIN Rail, DIN 35	3.170.0571.03
Hinges, pair	3.170.0578.82
Fastening lugs, AISI 304	3.170.0573.01



Cover screws are included.



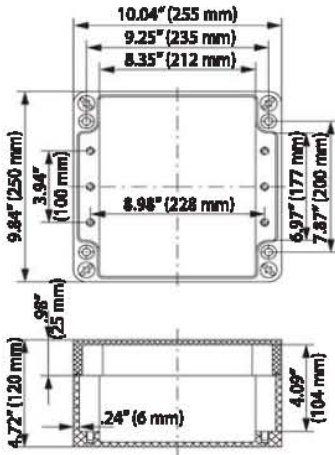
**9.84 x 10.04 x 4.72" (250 x 255 x 120 mm)**



Polyester	Part Number
Grey	3.170.0657.33

Assembly and machining services of your enclosures are available upon request. Drawings with additional dimensions can be furnished upon request.

Accessories	Part Number
Mounting plate, galvanized steel	3.170.0578.51
DIN Rail, DIN 32	3.170.0581.00
DIN Rail, DIN 35	3.170.0579.98
Hinges, pair	3.170.0578.82
Fastening lugs, AISI 304	3.170.0573.18



Cover screws are included.



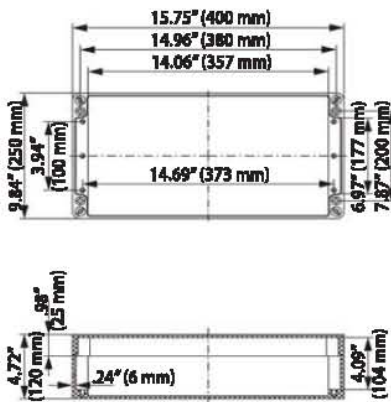
**9.84 x 15.75 x 4.72" (250 x 400 x 120 mm)**



Polyester	Part Number
Grey	3.170.0657.57

Assembly and machining services of your enclosures are available upon request. Drawings with additional dimensions can be furnished upon request.

Accessories	Part Number
Mounting plate, galvanized steel	3.170.0578.68
DIN Rail, DIN 32	3.170.0581.17
DIN Rail, DIN 35	3.170.0580.01
Hinges, pair	3.170.0578.82
Fastening lugs, AISI 304	3.170.0573.18

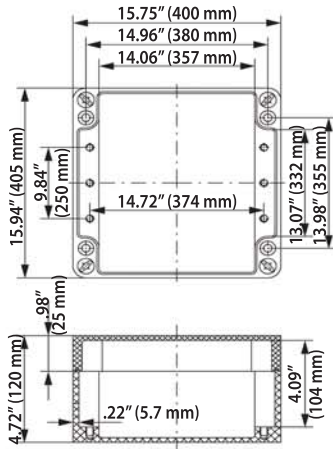
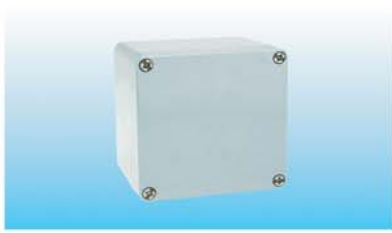


Cover screws are included.



## Enclosures made of Polyester

### 400 x 405 x 120 mm



Polyester	Part Number
Grey	3.170.0657.64

Assembly and machining services of your enclosures are available upon request. Drawings with additional dimensions can be furnished upon request.

Accessories	Part Number
Mounting plate, galvanized steel	3.170.0578.75
DIN Rail, DIN 32	3.170.0581.17
DIN Rail, DIN 35	3.170.0580.01
Hinges, pair	3.170.0578.82
Fastening lugs, AISI 304	3.170.0573.25



Cover screws are included.

# Enclosures made of Steel

## Series 18 with smooth walls

The enclosures are made of grey RAL 7035 powder coated steel, ideally used in terminal boxes.

Standard equipment includes a perforated mounting angle to facilitate installation of the mounting plate or DIN rails. This makes it possible to drill access holes for cables anywhere along the sidewalls.

A 120 mm (4 3/4") deep Steel Enclosure with mounting flange or with Polycarbonate translucent top will be available upon request.

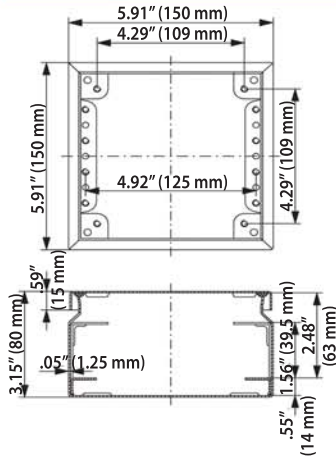
The following approved enclosures are available upon request:

Technical Information		Polyester Painted Steel
Protection EN 60529		IP 66
Impact EN 50102		IK 09
Standard color		Grey RAL 7035
Gasket		PUR (Polyurethane)
Cover screws		Stainless steel AISI 304



## Enclosures made of Steel

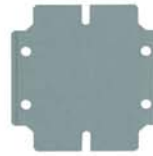
### 5.91 x 5.91 x 3.15" (150 x 150 x 80 mm)



Painted Steel	Part Number
Plain sides	3.180.0798.60

Assembly and machining services of your enclosures are available upon request. Drawings with additional dimensions can be furnished upon request.

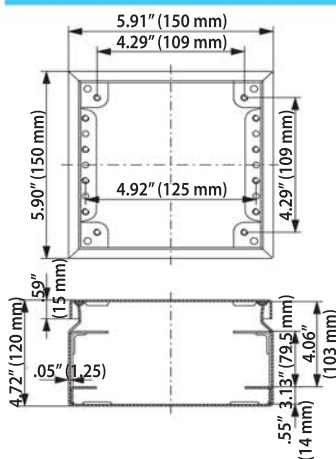
Accessories	Part Number
Mounting plate, 2 mm thick, galvanized steel	3.180.0573.94
DIN Rail, DIN 35	3.180.0568.78



Cover screws and seals as well as assembly screws and plugs are included.

Additional accessories available upon request

### 5.91 x 5.91 x 4.72" (150 x 150 x 120 mm)



Painted Steel	Part Number
Plain sides	3.180.0892.03

Assembly and machining services of your enclosures are available upon request. Drawings with additional dimensions can be furnished upon request.

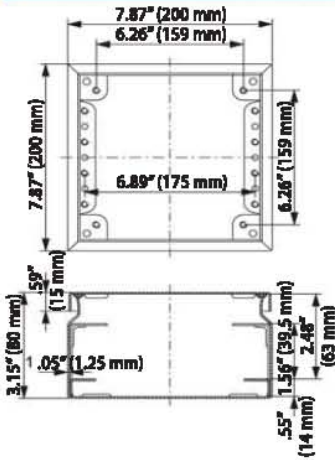
Accessories	Part Number
Mounting plate, 2 mm thick, galvanized steel	3.180.0573.94
DIN Rail, DIN 35	3.180.0568.78



Cover screws and seals as well as assembly screws and plugs are included.

Additional accessories available upon request

**7.87 x 7.87 x 3.15" (200 x 200 x 80 mm)**



Painted Steel	Part Number
Plain sides	3.180.0798.77

Assembly and machining services of your enclosures are available upon request. Drawings with additional dimensions can be furnished upon request.

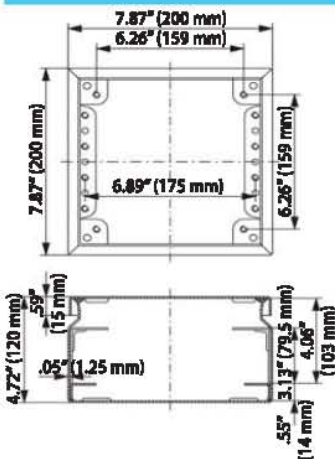
Accessories	Part Number
Mounting plate, 2 mm thick, galvanized steel	3.180.0574.17
DIN Rail, DIN 35	3.180.0568.85



Cover screws and seals as well as assembly screws and plugs are included.

Additional accessories available upon request

**7.87 x 7.87 x 4.72" (200 x 200 x 120 mm)**



Painted Steel	Part Number
Plain sides	3.180.0892.10

Assembly and machining services of your enclosures are available upon request. Drawings with additional dimensions can be furnished upon request.

Accessories	Part Number
Mounting plate, 2 mm thick, galvanized steel	3.180.0574.17
DIN Rail, DIN 35	3.180.0568.85

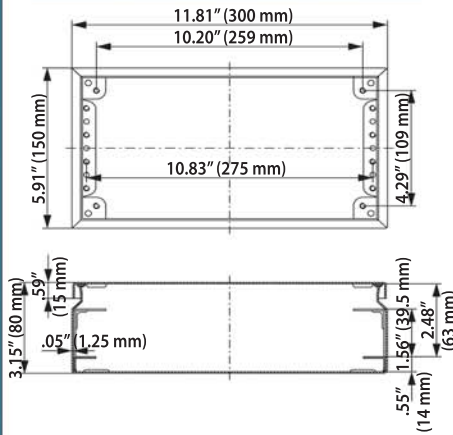


Cover screws and seals as well as assembly screws and plugs are included.

Additional accessories available upon request

## Enclosures made of Steel

### 11.81 x 5.91 x 3.15" (300 x 150 x 80 mm)



Painted Steel	Part Number
Plain sides	3.180.0798.84

Assembly and machining services of your enclosures are available upon request. Drawings with additional dimensions can be furnished upon request.

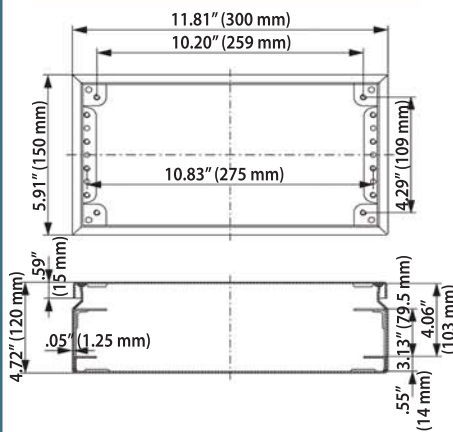
Accessories	Part Number
Mounting plate, 2 mm thick, galvanized steel	3.180.0994.62
DIN Rail, DIN 35	3.180.0568.92



Cover screws and seals as well as assembly screws and plugs are included.

Additional accessories available upon request

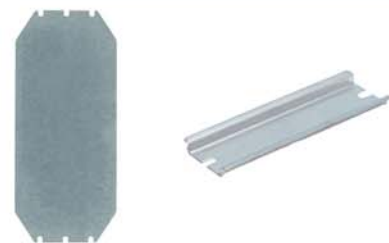
### 11.81 x 5.91 x 4.72" (300 x 150 x 120 mm)



Painted Steel	Part Number
Plain sides	3.180.0892.27

Assembly and machining services of your enclosures are available upon request. Drawings with additional dimensions can be furnished upon request.

Accessories	Part Number
Mounting plate, 2 mm thick, galvanized steel	3.180.0994.62
DIN Rail, DIN 35	3.180.0568.92



Cover screws and seals as well as assembly screws and plugs are included.

Additional accessories available upon request

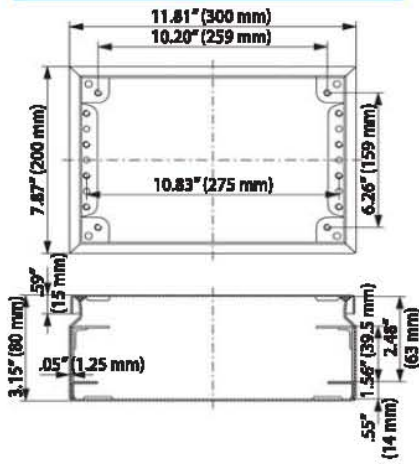
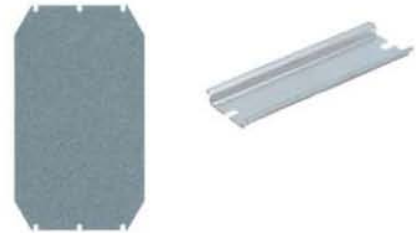
**11.81 x 7.87 x 3.15" (300 x 200 x 80 mm)**



Painted Steel	Part Number
Plain sides	3.180.0798.91

Assembly and machining services of your enclosures are available upon request. Drawings with additional dimensions can be furnished upon request.

Accessories	Part Number
Mounting plate, 2 mm thick, galvanized steel	3.180.0994.79
DIN Rail, DIN 35	3.180.0568.92



Cover screws and seals as well as assembly screws and plugs are included.

Additional accessories available upon request

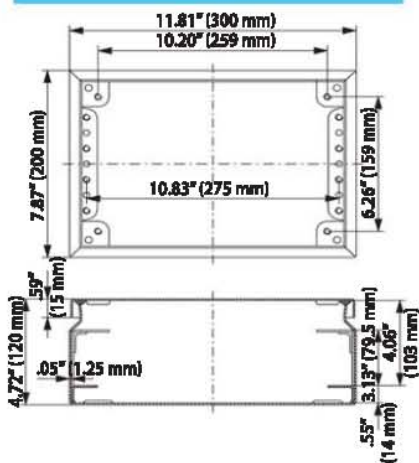
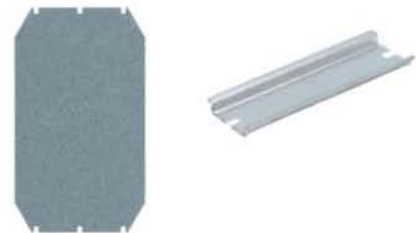
**11.81 x 7.87 x 4.72" (300 x 200 x 120 mm)**



Painted Steel	Part Number
Plain sides	3.180.0892.34

Assembly and machining services of your enclosures are available upon request. Drawings with additional dimensions can be furnished upon request.

Accessories	Part Number
Mounting plate, 2 mm thick, galvanized steel	3.180.0994.79
DIN Rail, DIN 35	3.180.0568.92

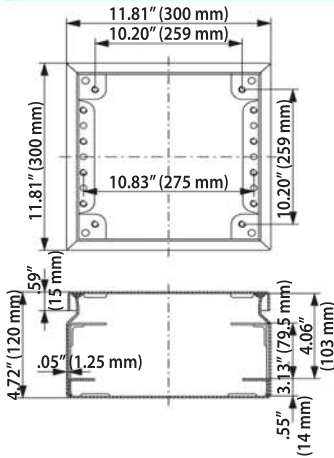


Cover screws and seals as well as assembly screws and plugs are included.

Additional accessories available upon request

## Enclosures made of Steel

### 11.81 x 11.81 x 4.72" (300 x 300 x 120 mm)



Painted Steel	Part Number
Plain sides	3.180.0892.41

Assembly and machining services of your enclosures are available upon request. Drawings with additional dimensions can be furnished upon request.

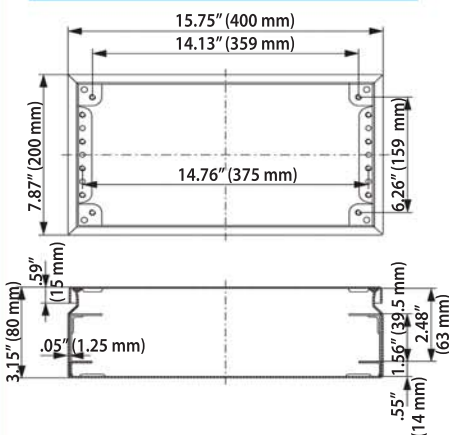
Accessories	Part Number
Mounting plate, 2 mm thick, galvanized steel	3.180.0574.79
DIN Rail, DIN 35	3.180.0568.92



Cover screws and seals as well as assembly screws and plugs are included.

Additional accessories available upon request

### 15.75 x 7.87 x 3.15" (400 x 200 x 80 mm)



Painted Steel	Part Number
Plain sides	3.180.0799.14

Assembly and machining services of your enclosures are available upon request. Drawings with additional dimensions can be furnished upon request.

Accessories	Part Number
Mounting plate, 2 mm thick, galvanized steel	3.180.0994.86
DIN Rail, DIN 35	3.180.0569.08



Cover screws and seals as well as assembly screws and plugs are included.

Additional accessories available upon request

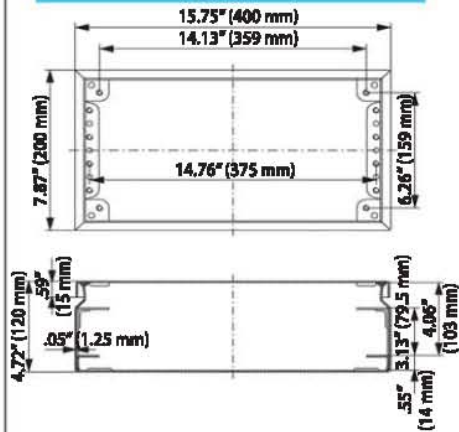
**15.75 x 7.87 x 4.72" (400 x 200 x 120 mm)**



Painted Steel	Part Number
Plain sides	3.180.0892.58

Assembly and machining services of your enclosures are available upon request. Drawings with additional dimensions can be furnished upon request.

Accessories	Part Number
Mounting plate, 2 mm thick, galvanized steel	3.180.0994.86
DIN Rail, DIN 35	3.180.0569.08



Cover screws and seals as well as assembly screws and plugs are included.

Additional accessories available upon request

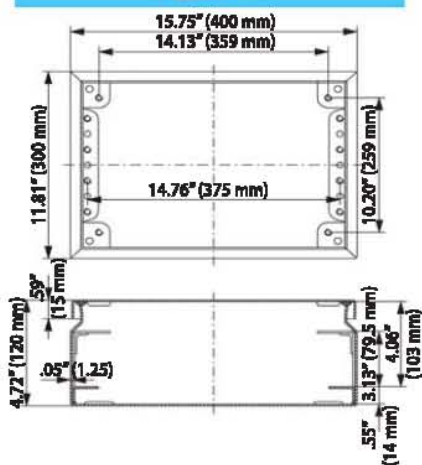
**15.75 x 11.81 x 4.72" (400 x 300 x 120 mm)**



Painted Steel	Part Number
Plain sides	3.180.0892.65

Assembly and machining services of your enclosures are available upon request. Drawings with additional dimensions can be furnished upon request.

Accessories	Part Number
Mounting plate, 2 mm thick, galvanized steel	3.180.0994.93
DIN Rail, DIN 35	3.180.0569.08

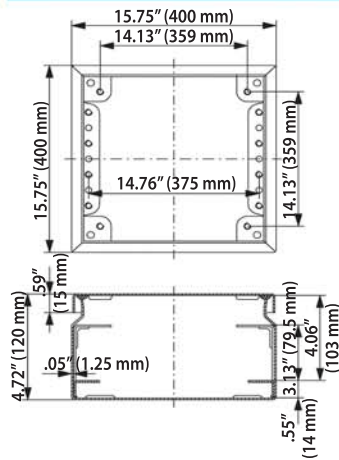


Cover screws and seals as well as assembly screws and plugs are included.

Additional accessories available upon request

## Enclosures made of Steel

### 15.75 x 15.75 x 4.72" (400 x 400 x 120 mm)



Painted Steel	Part Number
Plain sides	3.180.0892.72

Assembly and machining services of your enclosures are available upon request. Drawings with additional dimensions can be furnished upon request.

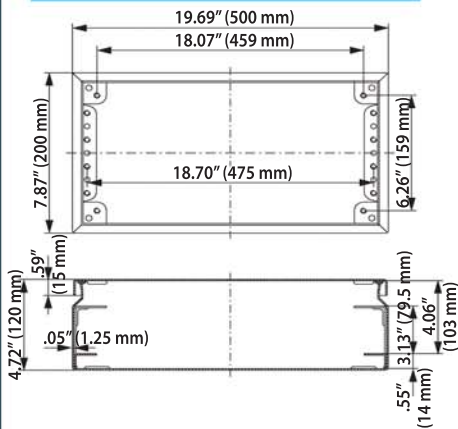
Accessories	Part Number
Mounting plate, 2 mm thick, galvanized steel	3.180.0575.16
DIN Rail, DIN 35	3.180.0569.08



Cover screws and seals as well as assembly screws and plugs are included.

Additional accessories available upon request

### 19.69 x 7.87 x 4.72" (500 x 200 x 120 mm)



Painted Steel	Part Number
Plain sides	3.180.0892.89

Assembly and machining services of your enclosures are available upon request. Drawings with additional dimensions can be furnished upon request.

Accessories	Part Number
Mounting plate, 2 mm thick, galvanized steel	3.180.0995.09
DIN Rail, DIN 35	3.180.0569.15



Cover screws and seals as well as assembly screws and plugs are included.

Additional accessories available upon request

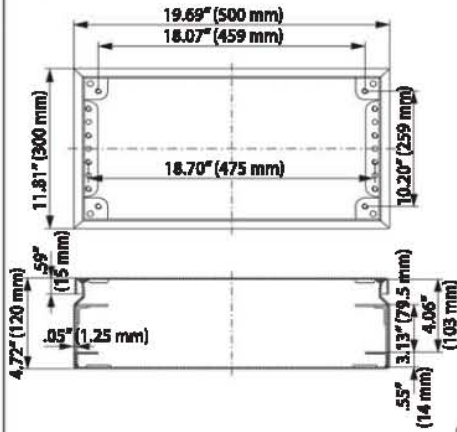
**19.69 x 11.81 x 4.72" (500 x 300 x 120 mm)**



Painted Steel	Part Number
Plain sides	3.180.0892.96

Accessories	Part Number
Mounting plate, 2 mm thick, galvanized steel	3.180.0995.16
DIN Rail, DIN 35	3.180.0569.15

Assembly and machining services of your enclosures are available upon request. Drawings with additional dimensions can be furnished upon request.



Cover screws and seals as well as assembly screws and plugs are included.

Additional accessories available upon request

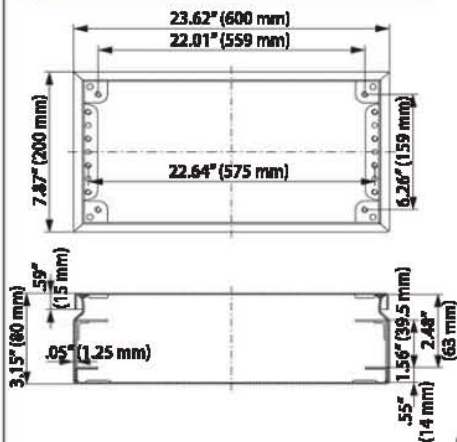
**23.62 x 7.87 x 3.15" (600 x 200 x 80 mm)**



Painted Steel	Part Number
Plain sides	3.180.0799.69

Accessories	Part Number
Mounting plate, 2 mm thick, galvanized steel	3.180.0995.23
DIN Rail, DIN 35	3.180.0569.22

Assembly and machining services of your enclosures are available upon request. Drawings with additional dimensions can be furnished upon request.

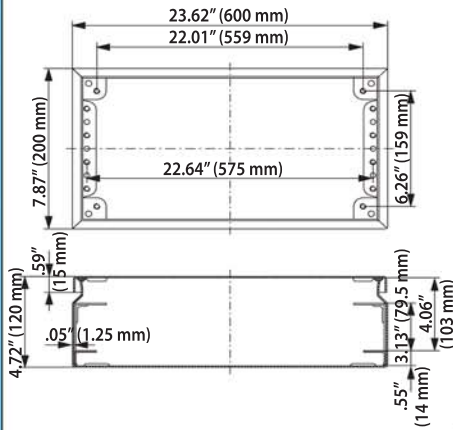


Cover screws and seals as well as assembly screws and plugs are included.

Additional accessories available upon request

## Enclosures made of Steel

### 23.62 x 7.87 x 4.72" (600 x 200 x 120 mm)



Painted Steel	Part Number
Plain sides	3.180.0893.02

Assembly and machining services of your enclosures are available upon request. Drawings with additional dimensions can be furnished upon request.

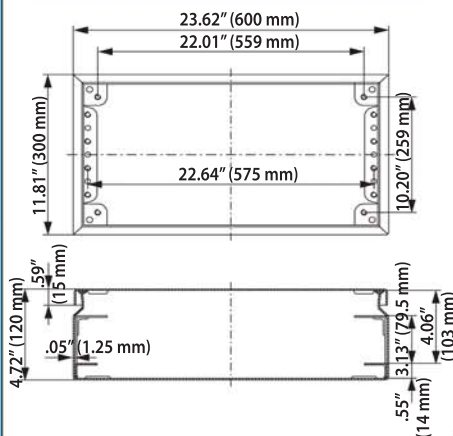
Accessories	Part Number
Mounting plate, 2 mm thick, galvanized steel	3.180.0995.23
DIN Rail, DIN 35	3.180.0569.22



Cover screws and seals as well as assembly screws and plugs are included.

Additional accessories available upon request

### 23.62 x 11.81 x 4.72" (600 x 300 x 120 mm)



Painted Steel	Part Number
Plain sides	3.180.0893.19

Assembly and machining services of your enclosures are available upon request. Drawings with additional dimensions can be furnished upon request.

Accessories	Part Number
Mounting plate, 2 mm thick, galvanized steel	3.180.0995.30
DIN Rail, DIN 35	3.180.0569.22



Cover screws and seals as well as assembly screws and plugs are included.

Additional accessories available upon request

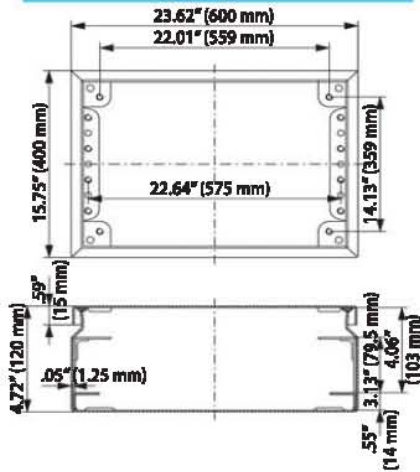
**23.62 x 15.75 x 4.72" (600 x 400 x 120 mm)**



Painted Steel	Part Number
Plain sides	3.180.0893.26

Assembly and machining services of your enclosures are available upon request. Drawings with additional dimensions can be furnished upon request.

Accessories	Part Number
Mounting plate, 2 mm thick, galvanized steel	3.180.0995.47
DIN Rail, DIN 35	3.180.0569.22



Cover screws and seals as well as assembly screws and plugs are included.

Additional accessories available upon request

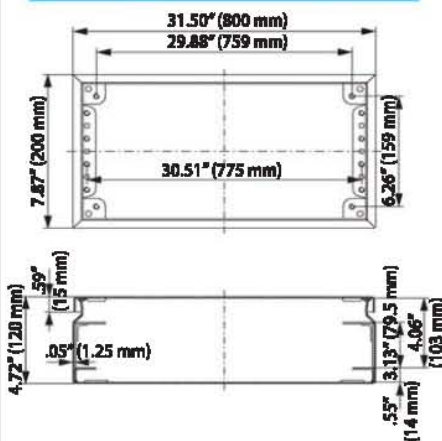
**31.50 x 7.87 x 4.72" (800 x 200 x 120 mm)**



Painted Steel	Part Number
Plain sides	3.180.0893.33

Assembly and machining services of your enclosures are available upon request. Drawings with additional dimensions can be furnished upon request.

Accessories	Part Number
Mounting plate, 2 mm thick, galvanized steel	3.180.0995.54
DIN Rail, DIN 35	3.180.0569.39



Cover screws and seals as well as assembly screws and plugs are included.

Additional accessories available upon request

## Enclosures made of Steel

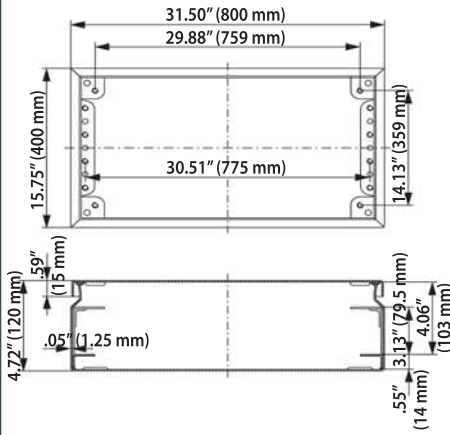
### 31.50 x 15.75 x 4.72" (800 x 400 x 120 mm)



Painted Steel	Part Number
Plain sides	3.180.0893.40

Assembly and machining services of your enclosures are available upon request.  
Drawings with additional dimensions can be furnished upon request.

Accessories	Part Number
Mounting plate, 2 mm thick, galvanized steel	3.180.0995.61
DIN Rail, DIN 35	3.180.0569.39



Cover screws and seals as well as assembly screws and plugs are included.

Additional accessories available upon request

# Enclosures made of Stainless Steel

## Series 19 with smooth walls

These Enclosures are made of 304 Stainless Steel used in terminal boxes.

We offer acid resistant AISI 316 Stainless Steel solutions upon demand.

Standard equipment includes a perforated mounting angle to facilitate installation of the mounting plate or DIN rails. This makes it possible to drill access holes for cables anywhere along the sidewalls.

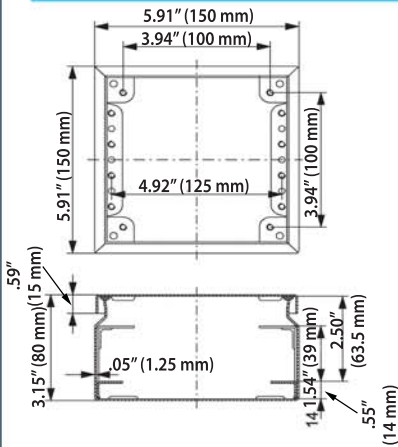
The following approved Enclosures are available upon request:

Technical Information		Stainless Steel
Protection EN 60529		IP 66
Impact EN 50102		IK 09
Standard color		AISI 304 natural
Gasket		PUR (Polyurethane)
Cover screws		Stainless steel
		AISI 304



## Enclosures made of Stainless Steel

### 5.91 x 5.91 x 3.15" (150 x 150 x 80 mm)

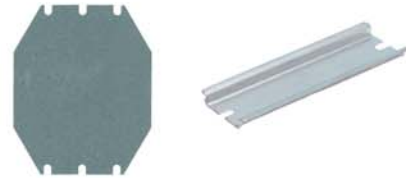


Stainless Steel (AISI 304)	Part Number
Plain sides	3.190.0895.48

Assembly and machining services of your enclosures are available upon request. Drawings with additional dimensions can be furnished upon request.

We offer acid resistant AISI 316 Stainless Steel solutions upon demand.

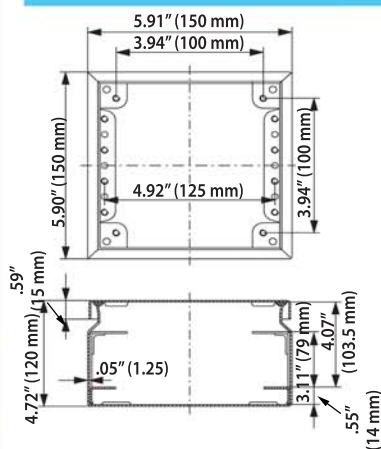
Accessories	Part Number
Mounting plate, 2 mm thick, galvanized steel	3.190.0573.94
DIN Rail, DIN 35	3.190.0568.78



Cover screws and seals as well as assembly screws and plugs are included.

Additional accessories available upon request

### 5.91 x 5.91 x 4.72" (150 x 150 x 120 mm)

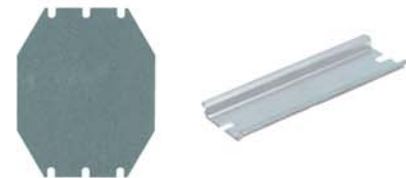


Stainless Steel (AISI 304)	Part Number
Plain sides	3.190.0896.92

Assembly and machining services of your enclosures are available upon request. Drawings with additional dimensions can be furnished upon request.

We offer acid resistant AISI 316 Stainless Steel solutions upon demand.

Accessories	Part Number
Mounting plate, 2 mm thick, galvanized steel	3.190.0573.94
DIN Rail, DIN 35	3.190.0568.78

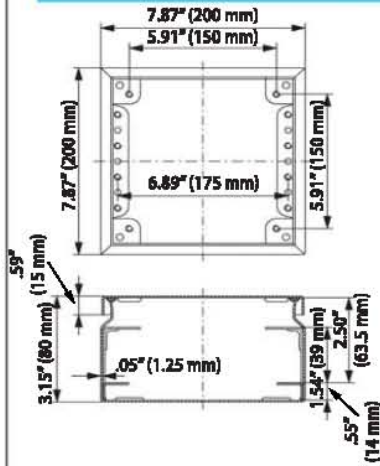


Cover screws and seals as well as assembly screws and plugs are included.

Additional accessories available upon request

Enclosures made of Stainless Steel

**7.87 x 7.87 x 3.15" (200 x 200 x 80 mm)**

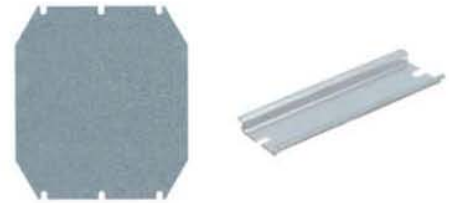


Stainless Steel (AISI 304)	Part Number
Plain sides	3.190.0895.55

Assembly and machining services of your enclosures are available upon request. Drawings with additional dimensions can be furnished upon request.

We offer acid resistant AISI 316 Stainless Steel solutions upon demand.

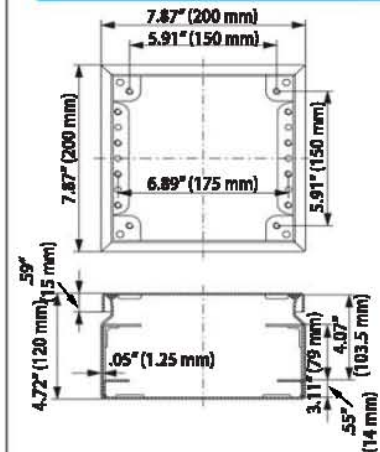
Accessories	Part Number
Mounting plate, 2 mm thick, galvanized steel	3.190.0574.17
DIN Rail, DIN 35	3.190.0568.85



Cover screws and seals as well as assembly screws and plugs are included.

Additional accessories available upon request

**7.87 x 7.87 x 4.72" (200 x 200 x 120 mm)**



Stainless Steel (AISI 304)	Part Number
Plain sides	3.190.0897.08

Assembly and machining services of your enclosures are available upon request. Drawings with additional dimensions can be furnished upon request.

We offer acid resistant AISI 316 Stainless Steel solutions upon demand.

Accessories	Part Number
Mounting plate, 2 mm thick, galvanized steel	3.190.0574.17
DIN Rail, DIN 35	3.190.0568.85

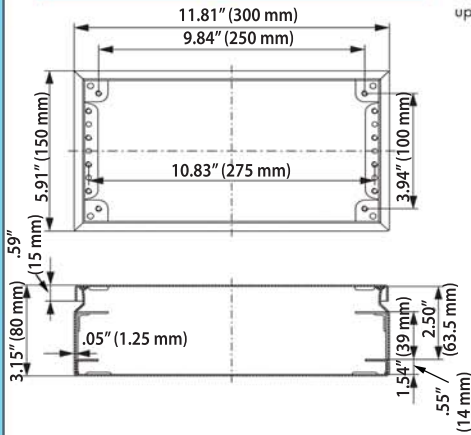


Cover screws and seals as well as assembly screws and plugs are included.

Additional accessories available upon request

## Enclosures made of Stainless Steel

### 11.81 x 5.91 x 3.15" (300 x 150 x 80 mm)

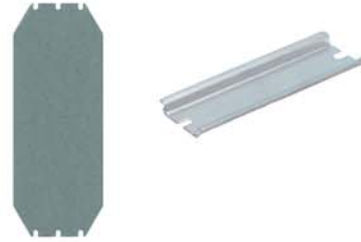


Stainless Steel (AISI 304)	Part Number
Plain sides	3.190.0895.62

Assembly and machining services of your enclosures are available upon request. Drawings with additional dimensions can be furnished upon request.

We offer acid resistant AISI 316 Stainless Steel solutions upon demand.

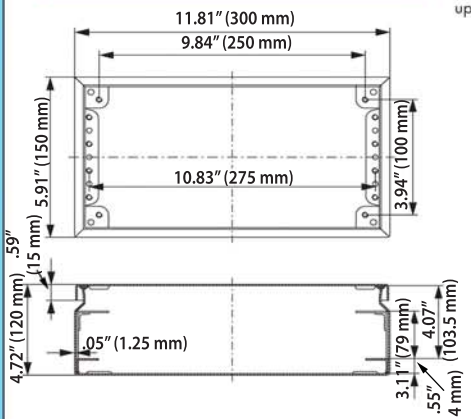
Accessories	Part Number
Mounting plate, 2 mm thick, galvanized steel	3.190.0994.62
DIN Rail, DIN 35	3.190.0568.92



Cover screws and seals as well as assembly screws and plugs are included.

Additional accessories available upon request

### 11.81 x 5.91 x 4.72" (300 x 150 x 120 mm)

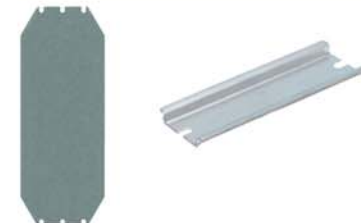


Stainless Steel (AISI 304)	Part Number
Plain sides	3.190.0897.15

Assembly and machining services of your enclosures are available upon request. Drawings with additional dimensions can be furnished upon request.

We offer acid resistant AISI 316 Stainless Steel solutions upon demand.

Accessories	Part Number
Mounting plate, 2 mm thick, galvanized steel	3.190.0994.62
DIN Rail, DIN 35	3.190.0568.92



Cover screws and seals as well as assembly screws and plugs are included.

Additional accessories available upon request

Enclosures made of Stainless Steel

**11.81 x 7.87 x 3.15" (300 x 200 x 80 mm)**

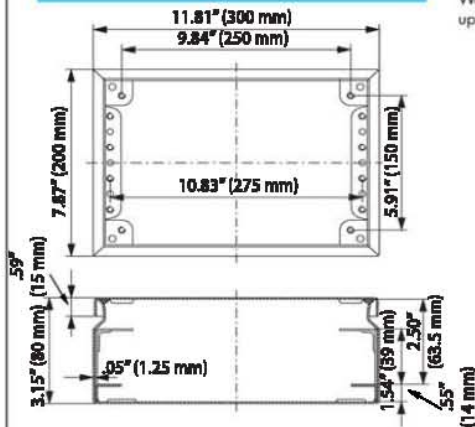


Stainless Steel (AISI 304)	Part Number
Plain sides	3.190.0895.79

Accessories	Part Number
Mounting plate, 2 mm thick, galvanized steel	3.190.0994.79
DIN Rail, DIN 35	3.190.0568.92

Assembly and machining services of your enclosures are available upon request. Drawings with additional dimensions can be furnished upon request.

We offer acid resistant AISI 316 Stainless Steel solutions upon demand.



Cover screws and seals as well as assembly screws and plugs are included.

Additional accessories available upon request

**11.81 x 7.87 x 4.72" (300 x 200 x 120 mm)**

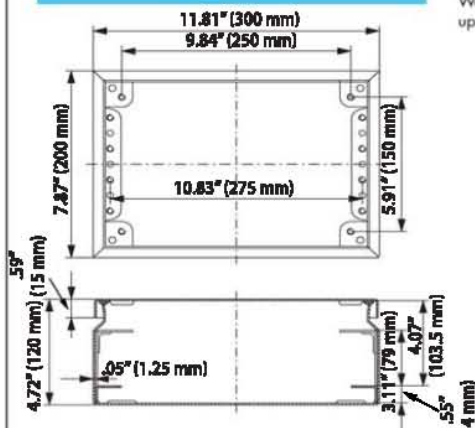


Stainless Steel (AISI 304)	Part Number
Plain sides	3.190.0897.22

Accessories	Part Number
Mounting plate, 2 mm thick, galvanized steel	3.190.0994.79
DIN Rail, DIN 35	3.190.0568.92

Assembly and machining services of your enclosures are available upon request. Drawings with additional dimensions can be furnished upon request.

We offer acid resistant AISI 316 Stainless Steel solutions upon demand.

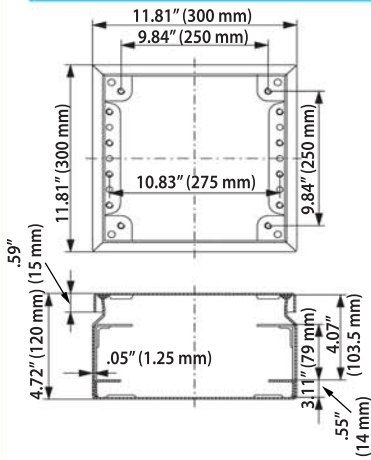


Cover screws and seals as well as assembly screws and plugs are included.

Additional accessories available upon request

## Enclosures made of Stainless Steel

### 11.81 x 11.81 x 4.72" (300 x 300 x 120 mm)



Stainless Steel (AISI 304)	Part Number
Plain sides	3.190.0897.39

Assembly and machining services of your enclosures are available upon request. Drawings with additional dimensions can be furnished upon request.

We offer acid resistant AISI 316 Stainless Steel solutions upon demand.

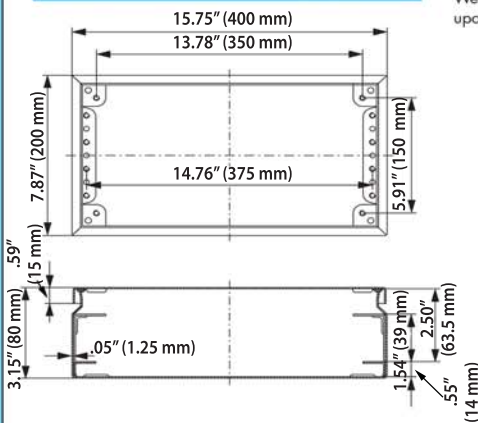
Accessories	Part Number
Mounting plate, 2 mm thick, galvanized steel	3.190.0574.79
DIN Rail, DIN 35	3.190.0568.92



Cover screws and seals as well as assembly screws and plugs are included.

Additional accessories available upon request

### 15.75 x 7.87 x 3.15" (400 x 200 x 80 mm)



Stainless Steel (AISI 304)	Part Number
Plain sides	3.190.0895.93

Assembly and machining services of your enclosures are available upon request. Drawings with additional dimensions can be furnished upon request.

We offer acid resistant AISI 316 Stainless Steel solutions upon demand.

Accessories	Part Number
Mounting plate, 2 mm thick, galvanized steel	3.190.0994.86
DIN Rail, DIN 35	3.190.0569.08

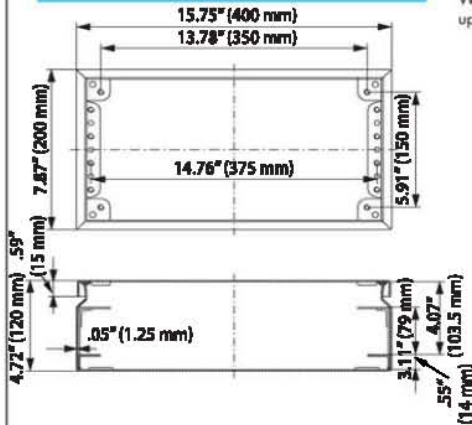


Cover screws and seals as well as assembly screws and plugs are included.

Additional accessories available upon request

Enclosures made of Stainless Steel

**15.75 x 7.87 x 4.72" (400 x 200 x 120 mm)**



Stainless Steel (AISI 304)	Part Number
Plain sides	3.190.0897.46

Assembly and machining services of your enclosures are available upon request. Drawings with additional dimensions can be furnished upon request.

We offer acid resistant AISI 316 Stainless Steel solutions upon demand.

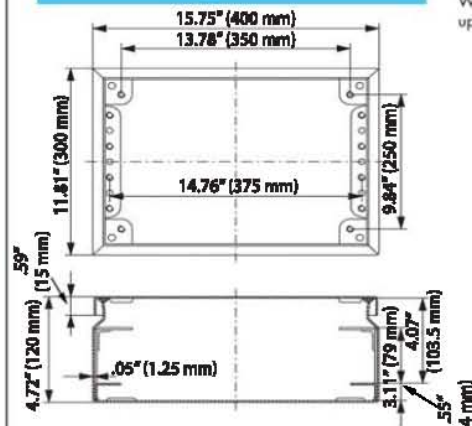
Accessories	Part Number
Mounting plate, 2 mm thick, galvanized steel	3.190.0994.86
DIN Rail, DIN 35	3.190.0569.08



Cover screws and seals as well as assembly screws and plugs are included.

Additional accessories available upon request

**15.75 x 11.81 x 4.72" (400 x 300 x 120 mm)**



Stainless Steel (AISI 304)	Part Number
Plain sides	3.190.0897.53

Assembly and machining services of your enclosures are available upon request. Drawings with additional dimensions can be furnished upon request.

We offer acid resistant AISI 316 Stainless Steel solutions upon demand.

Accessories	Part Number
Mounting plate, 2 mm thick, galvanized steel	3.190.0994.93
DIN Rail, DIN 35	3.190.0569.08

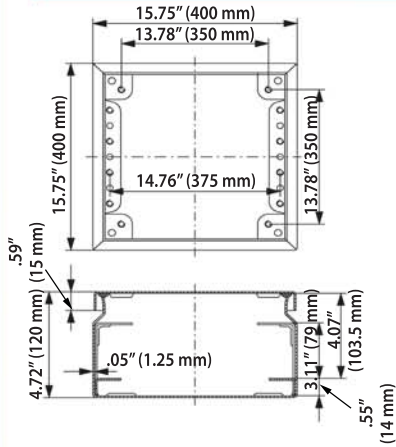


Cover screws and seals as well as assembly screws and plugs are included.

Additional accessories available upon request

## Enclosures made of Stainless Steel

### 15.75 x 15.75 x 4.72" (400 x 400 x 120 mm)



Stainless Steel (AISI 304)	Part Number
Plain sides	3.190.0897.60

Assembly and machining services of your enclosures are available upon request. Drawings with additional dimensions can be furnished upon request.

We offer acid resistant AISI 316 Stainless Steel solutions upon demand.

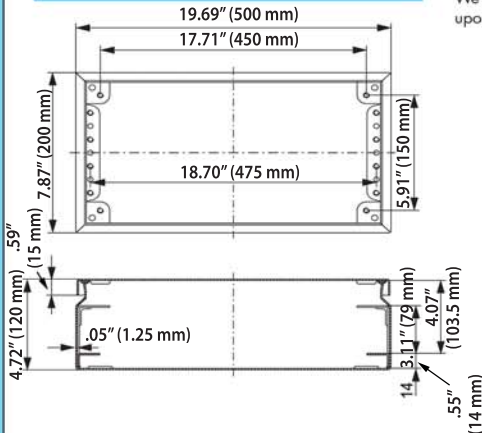
Accessories	Part Number
Mounting plate, 2 mm thick, galvanized steel	3.190.0575.16
DIN Rail, DIN 35	3.190.0569.08



Cover screws and seals as well as assembly screws and plugs are included.

Additional accessories available upon request

### 19.69 x 7.87 x 4.72" (500 x 200 x 120 mm)



Stainless Steel (AISI 304)	Part Number
Plain sides	3.190.0897.77

Assembly and machining services of your enclosures are available upon request. Drawings with additional dimensions can be furnished upon request.

We offer acid resistant AISI 316 Stainless Steel solutions upon demand.

Accessories	Part Number
Mounting plate, 2 mm thick, galvanized steel	3.190.0995.09
DIN Rail, DIN 35	3.190.0569.15



Cover screws and seals as well as assembly screws and plugs are included.

Additional accessories available upon request

Enclosures made of Stainless Steel

**19.69 x 11.81 x 4.72" (500 x 300 x 120 mm)**



Stainless Steel (AISI 304)	Part Number
Plain sides	3.190.0897.84

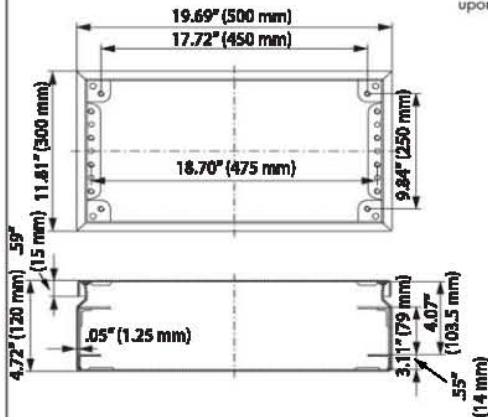
Assembly and machining services of your enclosures are available upon request. Drawings with additional dimensions can be furnished upon request.

We offer acid resistant AISI 316 Stainless Steel solutions upon demand.

Accessories	Part Number
Mounting plate, 2 mm thick, galvanized steel	3.190.0995.16
DIN Rail, DIN 35	3.190.0569.15



Additional accessories available upon request



Cover screws and seals as well as assembly screws and plugs are included.

**23.62 x 7.87 x 3.15" (600 x 200 x 80 mm)**



Stainless Steel (AISI 304)	Part Number
Plain sides	3.190.0896.47

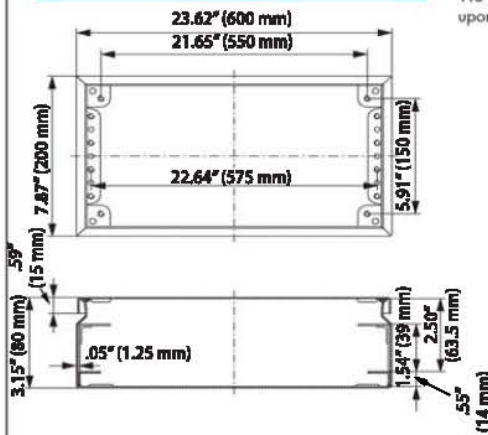
Assembly and machining services of your enclosures are available upon request. Drawings with additional dimensions can be furnished upon request.

We offer acid resistant AISI 316 Stainless Steel solutions upon demand.

Accessories	Part Number
Mounting plate, 2 mm thick, galvanized steel	3.190.0995.23
DIN Rail, DIN 35	3.190.0569.22



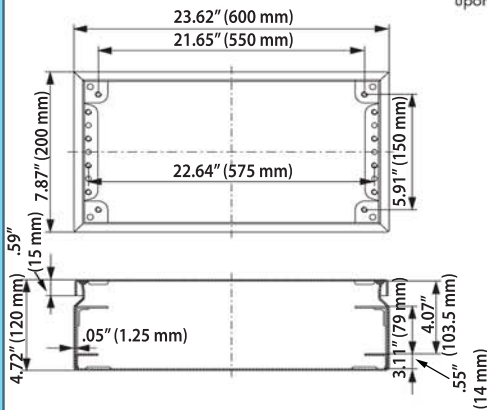
Additional accessories available upon request



Cover screws and seals as well as assembly screws and plugs are included.

## Enclosures made of Stainless Steel

### 23.62 x 7.87 x 4.72" (600 x 200 x 120 mm)



Stainless Steel (AISI 304)	Part Number
Plain sides	3.190.0897.91

Assembly and machining services of your enclosures are available upon request. Drawings with additional dimensions can be furnished upon request.

We offer acid resistant AISI 316 Stainless Steel solutions upon demand.

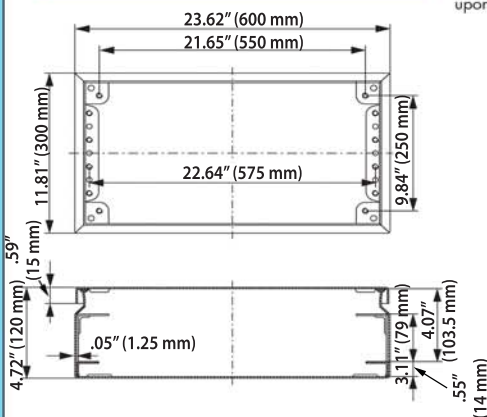
Accessories	Part Number
Mounting plate, 2 mm thick, galvanized steel	3.190.0995.23
DIN Rail, DIN 35	3.190.0569.22



Cover screws and seals as well as assembly screws and plugs are included.

Additional accessories available upon request

### 23.62 x 11.81 x 4.72" (600 x 300 x 120 mm)



Stainless Steel (AISI 304)	Part Number
Plain sides	3.190.0898.07

Assembly and machining services of your enclosures are available upon request. Drawings with additional dimensions can be furnished upon request.

We offer acid resistant AISI 316 Stainless Steel solutions upon demand.

Accessories	Part Number
Mounting plate, 2 mm thick, galvanized steel	3.190.0995.30
DIN Rail, DIN 35	3.190.0569.22

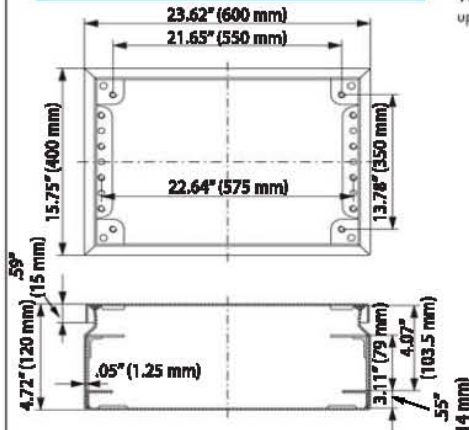


Cover screws and seals as well as assembly screws and plugs are included.

Additional accessories available upon request

Enclosures made of Stainless Steel

**23.62 x 15.75 x 4.72" (600 x 400 x 120 mm)**



Stainless Steel (AISI 304)	Part Number
Plain sides	3.190.0898.14

Assembly and machining services of your enclosures are available upon request. Drawings with additional dimensions can be furnished upon request.

We offer acid resistant AISI 316 Stainless Steel solutions upon demand.

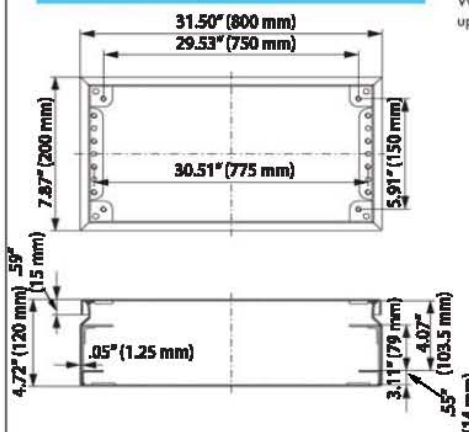
Accessories	Part Number
Mounting plate, 2 mm thick, galvanized steel	3.190.0995.47
DIN Rail, DIN 35	3.190.0569.22



Cover screws and seals as well as assembly screws and plugs are included.

Additional accessories available upon request

**31.50 x 7.87 x 4.72" (800 x 200 x 120 mm)**



Stainless Steel (AISI 304)	Part Number
Plain sides	3.190.0898.21

Assembly and machining services of your enclosures are available upon request. Drawings with additional dimensions can be furnished upon request.

We offer acid resistant AISI 316 Stainless Steel solutions upon demand.

Accessories	Part Number
Mounting plate, 2 mm thick, galvanized steel	3.190.0995.54
DIN Rail, DIN 35	3.190.0569.39



Cover screws and seals as well as assembly screws and plugs are included.

Additional accessories available upon request

## Enclosures made of Stainless Steel

### 31.50 x 15.75 x 4.72" (800 x 400 x 120 mm)

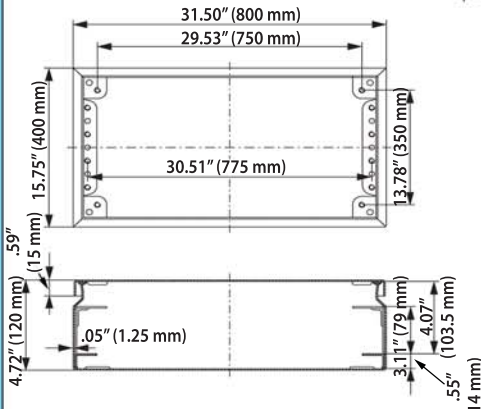


Stainless Steel (AISI 304)	Part Number
Plain sides	3.190.0898.38

Assembly and machining services of your enclosures are available upon request. Drawings with additional dimensions can be furnished upon request.

We offer acid resistant AISI 316 Stainless Steel solutions upon demand.

Accessories	Part Number
Mounting plate, 2 mm thick, galvanized steel	3.190.0995.61
DIN Rail, DIN 35	3.190.0569.39



Cover screws and seals as well as assembly screws and plugs are included.

Additional accessories available upon request

## Technical Information

- On the following pages, you will find helpful technical information regarding the selected materials to help you make the best choice for your enclosure.
- If you have any questions, please contact our sales team at :

[info@sealconusa.com](mailto:info@sealconusa.com)



## Material specifications and compatibility chart

	Weak acid	Concentrated acid	Weak caustic solution	Concentrated caustic solution	Alcohol	Gasoline	Benzol	Mineral oil	Diesel	Ammonia	Vegetable fat	Animal fat	Free of halogen, heavy metal, PVC and silicone	Flame resistant per VDE 0471 / EN 60695 / UL 94	Max. ambient temperature (short term expose 1 hr. max)	Max. ambient temperature (continuous exposure)
ABS, Impact resistant	○	/	●	●	●	/	/	○	/	●	○	○	yes	960 °C / V-2	+80 °C	-40 °C – +70 °C
Polycarbonate, Fiberglass reinforced	○	/	/	/	●	●	/	●	○	/	●	●	yes	960 °C / V-2	+130 °C	-35 °C – +120 °C
Polycarbonate, transparent	○	/	/	/	○	○	/	●	○	/	●	●	yes	850 °C / V-2	+130 °C	-35 °C – +120 °C
Polyethylene	●	●	●	●	●	○	/	○	○	●	●	●	yes	650 °C / V-2	+100 °C	-40 °C – +70 °C
Polypropylene	●	○	●	○	●	○	○	●	○	●	●	●	yes	960 °C / V-2	+120 °C	-30 °C – +100 °C
Polypropylene, Halogen free	●	○	●	○	●	○	○	●	○	●	●	●	yes	960 °C / V-2	+120 °C	-30 °C – +100 °C
Polypropylene Copolymer	●	○	●	○	●	○	○	○	●	●	●	●	yes	650 °C / HB	+120 °C	-30 °C – +100 °C
Polyurethane	○	○	○	○	○	○	○	●	○	○	●	●	yes	650 °C / -	+110 °C	-35 °C – +80 °C
Aluminium AL 12 Si	●	○	●	●	○	●	/	●	●	●	○	○	yes	-	+130 °C	-40 °C – +100 °C
	○	○	○	○	●	●	●	●	●	●	●	●	yes	960 °C / V-0	+90 °C	-40 °C – +70 °C
Polyester, Fiberglass reinforced	○	/	○	/	●	●	●	●	●	●	●	●	yes	960 °C / V-0	+120 °C	-40 °C – +100 °C
Polyamide (Nylon) 6, Fiberglass reinforced	●	○	●	●	●	○	○	●	●	●	○	○	yes	750 °C / HB	+200 °C	-30 °C – +100 °C
Thermoplastic Elastomer	●	○	●	○	●	○	○	○	○	○	●	●	yes	750 °C / HB	+110 °C	-30 °C – +80 °C

● compatible ○ limited compatibility / incompatible

## Material selection chart: optimized for your application

Polycarbonate (PC)	
+ High impact resistance	- Because of the fibreglass used, achieving the correct color shade maybe difficult
+ High degree of protection	
+ Light weight	
+ Good resistance to chemicals	
+ Wide temperature range	
+ Self-extinguishing	
+ Easily machined using standard tools	
+ Excellent insulation properties	
+ Also suitable for outdoor use	
+ Also available with clear cover	

Aluminium (AL)	
+ Lighter than steel	- More expensive than thermoplastic materials
+ High impact resistance	
+ Good resistance against solvents	
+ Wide temperature resistance range	
+ Excellent corrosion resistance	

Powder Coated Steel	
+ High impact resistance	- Corrosion risk
+ High degree of protection	
+ Easy to customize; special dimensions possible	

Acryl-Butadiene-Styrene (ABS)	
+ Cost-effective	- Lower impact resistance than that of polycarbonate - Narrower temperature-resistance range than polycarbonate - Low UV radiation resistance - Not suitable for outdoor use - Not self-extinguishing
+ Light weight	
+ Good chemical resistance	
+ Easy to machine using standard tools	

Stainless Steel (AISI 304)	
+ High impact resistance	- More expensive than painted mild steel - Customizing more difficult than with painted steel
+ High degree of protection	
+ Excellent corrosion resistance	
+ Excellent resistance to UV radiation	
+ Suitable for outdoor use; canopy for rain is recommended	
+ Suitable for industrial environments	
+ Excellent suitability for e.g. the food industry	

Polyester (GRP, glass-reinforced-polyester)	
+ Excellent temperature resistance	- More expensive than thermoplastic materials - Machining problematic - Non-recyclable material
+ Excellent impact resistance	
+ Good corrosion resistance	
+ Good resistance against solvents	
+ Suitability for highly demanding industrial environments	

Acid-Proof Steel (AISI 316)	
As AISI 304, also:	- More expensive than stainless steel - Customizing more difficult than with painted steel
+ Extremely high resistance to corrosion	
+ Excellent suitability for off-shore industry	
+ Excellent suitability for paper industry	

## Protection (IP) Ratings per EN 60529 / DIN VDE 0470-1

1. Code		2. Code	Penetration of water								
Protection against human access to hazardous parts	Protection of equipment against penetration of solid foreign objects		Non-protected	protection against drip water (oder dripping water)	Protected against vertically falling water drops when device is tilted up to 15°	Water sprayed at an angle up to 60° on either side of the vertical shall have no harmful effects	Water splashed from any direction shall have no harmful effects	Water projected in jets from any direction shall have no harmful effects	Water projected in powerful jets from any direction shall have no harmful effects	protection against temporary submersion	protection against permanent submersion
			IP 0	IP 1	IP 2	IP 3	IP 4	IP 5	IP 6	IP 7	IP 8
Non-protected	Non-protected	IP 0	IP 00								
Protected against access to hazardous parts with the back of the hand	Protected against solid foreign objects larger in diameter than 50 mm	IP 1	IP 10	IP 11	IP 12						
Protected against access to hazardous parts with a finger	Protected against solid foreign object larger in diameter than 12,5 mm	IP 2	IP 20	IP 21	IP 22	IP 23					
Protected against access to hazardous parts with a tool larger in diameter than 2,5 mm	Protected against solid foreign objects larger in diameter than 2,5 mm	IP 3	IP 30	IP 31	IP 32	IP 33	IP 34				
Protected against access to hazardous parts with a wire larger in diameter than 1,0 mm	Protected against solid foreign objects larger in diameter than 1 mm	IP 4	IP 40	IP 41	IP 42	IP 43	IP 44				
Protected against access to hazardous parts with a wire larger in diameter than 1,0 mm	Prevents penetration of dust sufficient to cause damage inside the equipment.	IP 5	IP 50				IP 54	IP 55			
Protected against access to hazardous parts with a wire larger in diameter than 1,0 mm	Dust proof	IP 6	IP 60					IP 65	IP 66	IP 67	IP 68

### IK-marking, EN 50102

IK-marking consists of 2 codes (Bsp. IK 06).

#### 2 codes oder references

degree of protection against mechanical wear & tear.

	h (cm)	Impact energy (J)
01	7,5	0,15
02	10	0,20
03	17,5	0,35
04	25	0,50
05	35	0,70
06	20	1
07	40	2
08	29,5	5
09	20	10
10	40	20

### Limited Liability

Products, design, colors and dimensions are subject to change without prior notice. We reserve the right to make technical improvements on all our products, currently ordered or for future orders. It is the user's responsibility to verify all dimensions and technical data. HUMMEL Elektrotechnik will assume no liability regarding information provided to the user by published literature or inside technical staff, its distributors and outside sales personnel. Errors in the catalog can occur and shall not create any liability whatsoever for HUMMEL. All information provided by HUMMEL is without guarantee and must be verified by the user.

**NEMA rating**

NEMA Rating	IP-class	Indoor	Outdoor	In- and Outdoor	Protection against:
NEMA 1	IP 23	■			Falling dirt and moisture
NEMA 2	IP 30	■			Splashing water and dirt
NEMA 3	IP 64		■		Wind carried dust, rain and hail
NEMA 3R	IP 32		■		Rain and hail
NEMA 3S	IP 64		■		As 3, outdoor equipment under ice load
NEMA 4	IP 66			■	As 3, protection against water spray, ice accumulation
NEMA 4x	IP 66			■	As 4, corrosion resistant
NEMA 6	IP 66 – 68			■	As 6P, ice accumulation corrosion resistant
NEMA 6P	IP 67 – 68			■	Submersed in water for a specified time and depth
NEMA 12, 12K	IP 65	■			Dirt / non-corrosive drops of liquid
NEMA 13	IP 65	■			Same as 12, oils and non-corrosive coolant

NEMA (National Electrical Manufacturers' Association) is a cooperative organization for the American electrical industry. The NEMA specifications and testing methods are used by Underwriters Laboratories (UL) for testing and classification of enclosures. The table above gives a comparison of the NEMA classification and the nearest corresponding IP rating.

**Approvals available on request**

	Series 11	Series 12	Series 13	Series 14	Series 15	Series 17	Series 18	Series 19
UL	■ (only PC)	■ (only PC)	■ (only PC)	■ (only PC)	■	■		
cUL	■ (only PC)	■ (only PC)	■ (only PC)	■ (only PC)	■	■		
GOST	■	■	■	■			■	■
Germanischer Lloyd	■	■	■	■	■	■	■	■
RINA	■	■	■					

Page Finder

Page Finder		Page Finder		Page Finder	
<b>Solar<sup>PLUS</sup> Enclosures in Polycarbonate P/N 3.100.xxxx.xx</b>		<b>Series 14 Hinged PC Enclosures P/N 3.140.xxxx.xx</b>		<b>Series 18 Powder-Coated Steel Enclosures P/N 3.180.xxxx.xx</b>	
Size	Page	Size	Page	Size	Page
6.89x6.89x2.95" / 175x175x75 mm	12	7.87x7.87x5.19" / 200x200x132 mm	50	5.90x5.90x3.15" / 150x150x80 mm	82
2.08x2.48x3.94" / 175x175x100 mm	12	7.87x7.87x7.36" / 200x200x187 mm	50	5.90x5.90x4.72" / 150x150x120 mm	82
<b>Series 11 Small PC/ABS Enclosures P/N 3.110.xxxx.xx</b>		7.87x11.81x5.19" / 200x300x132 mm		7.87x7.87x3.15" / 200x200x80 mm	
Size	Page	7.87x11.81x7.36" / 200x300x187 mm		7.87x7.87x4.72" / 200x200x120 mm	
2.08x2.17x1.42" / 53x55x36 mm	14	7.87x15.75x5.19" / 200x400x132 mm		11.81x5.90x3.15" / 300x150x80 mm	
2.08x2.48x1.42" / 53x63x36 mm	14	7.87x15.75x7.36" / 200x400x187 mm		11.81x5.90x4.72" / 300x150x120 mm	
3.14x3.23x2.20" / 80x82x56 mm	15	11.81x11.81x5.19" / 300x300x132 mm		11.81x7.87x3.15" / 300x200x80 mm	
3.14x3.62x3.39" / 80x82x86 mm	15	11.81x11.81x7.36" / 300x300x187 mm		11.81x7.87x4.72" / 300x200x120 mm	
3.14x4.72x2.20" / 80x120x56 mm	16	11.81x15.75x5.19" / 300x400x132 mm		15.74x7.87x3.15" / 400x200x80 mm	
3.14x4.72x3.39" / 80x120x86 mm	16	11.81x15.75x7.36" / 300x400x187 mm		15.74x7.87x4.72" / 400x200x120 mm	
3.14x6.29x2.20" / 80x160x56 mm	17	11.81x23.62x5.19" / 400x600x132 mm		15.74x11.81x4.72" / 400x300x120 mm	
3.14x6.29x3.39" / 80x160x86 mm	17	15.75x23.62x7.36" / 300x600x187 mm		15.74x15.74x4.72" / 400x400x120 mm	
4.72x4.80x2.20" / 120x122x56 mm	18	Accessories 3.814.xxxx.xx		19.69x7.87x4.72" / 500x200x120 mm	
4.72x4.80x3.39" / 120x122x86 mm	18			19.69x11.81x4.72" / 500x300x120 mm	
4.72x6.29x3.58" / 120x160x91 mm	19	<b>Series 15 Aluminum Enclosures P/N 3.150.xxxx.xx</b>		23.62x7.87x3.15" / 600x200x80 mm	
4.72x7.87x3.39" / 120x200x86 mm	19	Size		23.62x11.82x4.72" / 600x300x120 mm	
5.90x7.87x2.99" / 150x200x76 mm	20	1.97x1.77x1.18" / 50x45x30 mm		23.62x15.74x4.72" / 600x400x120 mm	
6.29x9.44x3.58" / 160x240x91 mm	20	2.52x2.28x1.42" / 64x58x36 mm		31.49x7.87x4.72" / 800x200x120 mm	
6.29x9.44x4.76" / 160x240x121 mm	21	2.52x3.85x1.42" / 64x98x36 mm		31.49x15.74x4.72" / 800x400x120 mm	
9.05x1.81x3.39" / 230x300x86 mm	21	2.52x5.91x1.42" / 64x150x36 mm			
9.05x11.81x4.37" / 230x300x111 mm	22	3.15x2.95x2.24" / 80x75x57 mm		<b>Series 19 Stainless Steel Enclosures P/N 3.190.xxxx.xx</b>	
Accessories 3.811.xxxx.xx	23	3.15x4.92x2.24" / 80x125x57 mm		Size	
<b>Series 12 Medium PC/ABS Enclosures P/N 3.120.xxxx.xx</b>		3.15x6.89x2.24" / 80x175x57 mm		5.90x5.90x3.15" / 150x150x80 mm	
Size	Page	3.15x9.84x2.24" / 80x250x57 mm		5.90x5.90x4.72" / 150x150x120 mm	
2.95x4.92x2.95" / 75x125x75 mm	26	4.80x4.80x3.54" / 122x122x90 mm		7.87x7.87x3.15" / 300x150x80 mm	
2.95x4.92x3.94" / 75x125x100 mm	26	4.80x8.66x3.54" / 122x220x90 mm		7.87x7.87x4.72" / 300x200x80 mm	
2.95x4.92x4.92" / 75x125x125 mm	27	4.80x14.17x3.15" / 122x360x80 mm		7.87x7.87x7.36" / 300x300x120 mm	
4.92x4.92x2.95" / 125x125x75 mm	27	6.30x6.30x3.54" / 160x160x90 mm		11.81x5.90x3.15" / 300x150x80 mm	
4.92x4.92x3.94" / 125x125x100 mm	28	6.30x10.24x3.54" / 160x260x90 mm		11.81x5.90x4.72" / 300x150x120 mm	
4.92x4.92x4.92" / 125x125x125 mm	28	6.30x14.17x3.54" / 160x360x90 mm		11.81x7.87x3.15" / 300x200x80 mm	
4.92x6.89x2.95" / 125x175x75 mm	29	6.30x22.05x3.54" / 160x560x90 mm		11.81x7.87x4.72" / 300x200x120 mm	
4.92x6.89x3.94" / 125x175x100 mm	29	7.87x9.06x4.33" / 200x230x110 mm		11.81x11.81x4.72" / 400x300x120 mm	
4.92x6.89x4.92" / 125x175x125 mm	30	7.87x9.06x7.09" / 200x230x180 mm		15.74x7.87x3.15" / 400x200x80 mm	
4.92x6.89x5.91" / 125x175x150 mm	30	9.06x11.02x4.33" / 230x280x110 mm		15.74x7.87x4.72" / 400x200x120 mm	
6.89x6.89x2.95" / 175x175x75 mm	31	9.06x12.99x4.33" / 230x330x110 mm		15.74x11.81x4.72" / 500x300x120 mm	
6.89x6.89x3.94" / 175x175x100 mm	31	9.06x15.75x7.09" / 230x400x110 mm		15.74x15.74x4.72" / 400x400x120 mm	
6.89x6.89x4.92" / 175x175x125 mm	32	9.06x23.62x4.33" / 230x600x110 mm		19.69x7.87x4.72" / 500x200x120 mm	
6.89x6.89x5.91" / 175x175x150 mm	32	12.20x15.83x4.33" / 310x402x110 mm		19.69x11.81x4.72" / 500x300x120 mm	
6.89x9.84x2.95" / 175x250x75 mm	33	12.20x15.83x7.09" / 310x402x180 mm		23.62x7.87x3.15" / 600x200x80 mm	
6.89x9.84x3.94" / 175x250x100 mm	33	12.20x23.62x4.33" / 310x600x110 mm		23.62x11.82x4.72" / 600x300x120 mm	
6.89x9.84x5.91" / 175x250x150 mm	34	12.20x23.62x7.09" / 310x600x180 mm		23.62x15.74x4.72" / 600x400x120 mm	
Accessories 3.812.xxxx.xx	35			31.49x7.87x4.72" / 800x200x120 mm	
<b>Series 13 Large PC/ABS Enclosures P/N 3.130.xxxx.xx</b>		<b>Series 17 Large PC/ABS Enclosures P/N 3.170.xxxx.xx</b>		31.49x15.74x4.72" / 800x400x120 mm	
Size	Page	Size		Page	
7.87x7.87x5.20" / 200x200x132 mm	38	2.95x3.14x2.16" / 75x80x55 mm		74	
7.87x7.87x7.36" / 200x200x187 mm	38	2.95x4.33x2.16" / 75x110x55 mm		74	
7.87x11.81x5.20" / 200x300x132 mm	39	2.95x6.30x2.16" / 75x160x55 mm		75	
7.87x11.81x7.36" / 200x300x187 mm	39	2.95x7.48x2.16" / 75x190x55 mm		75	
7.87x15.75x5.20" / 200x400x132 mm	40	4.72x4.80x3.54" / 120x122x90 mm		76	
7.87x15.75x7.36" / 200x400x187 mm	40	4.72x8.66x3.54" / 120x220x90 mm		76	
11.81x11.81x5.20" / 300x300x132 mm	41	6.30x6.30x3.58" / 160x160x91 mm		77	
11.81x11.81x7.36" / 300x300x187 mm	41	6.30x10.23x3.58" / 160x260x91 mm		77	
11.81x15.75x5.20" / 300x400x132 mm	42	6.30x14.17x3.58" / 160x360x91 mm		78	
11.81x15.75x7.36" / 300x400x187 mm	42	6.30x22.05x3.58" / 160x560x91 mm		78	
11.81x23.62x5.20" / 300x600x132 mm	43	9.84x10.03x4.72" / 250x255x120 mm		79	
11.81x23.62x7.36" / 300x600x187 mm	43	9.84x15.75x4.72" / 250x400x120 mm		79	
15.75x23.62x5.20" / 400x600x132 mm	44	15.75x15.94x4.72" / 400x405x120 mm		80	
15.75x23.62x7.36" / 400x600x187 mm	44				
Accessories 3.813.xxxx.xx	45/46				
Special Accessories 3.813.xxxx.xx	47/48				

Name \_\_\_\_\_ Title \_\_\_\_\_  
 Company \_\_\_\_\_ Div./MS \_\_\_\_\_  
 Address \_\_\_\_\_  
 City \_\_\_\_\_ State \_\_\_\_\_  
 Phone ( ) \_\_\_\_\_ Fax ( ) \_\_\_\_\_  
 E-mail \_\_\_\_\_

Your company is best classified as:

- |   |  |                                       |
|---|--|---------------------------------------|
| <input type="checkbox"/> OEM                | <input type="checkbox"/> Distributor         | <input type="checkbox"/> Consultant   |
| <input type="checkbox"/> End User / MRO     | <input type="checkbox"/> Contractor          | <input type="checkbox"/> Other: _____ |
| <input type="checkbox"/> Systems Integrator | <input type="checkbox"/> Government / School |                                       |

Your primary job function:

- |   |   |                                       |
|---|---|---------------------------------------|
| <input type="checkbox"/> Product Design | <input type="checkbox"/> Plant Operations/Maintenance | <input type="checkbox"/> Purchasing   |
| <input type="checkbox"/> System Design  | <input type="checkbox"/> Sales / Marketing            | <input type="checkbox"/> Other: _____ |

Which industry(ies) does your company serve? (Please check all that apply)

- |  |  |   |
|--|--|---|
| <input type="checkbox"/> Amusement                   | <input type="checkbox"/> Furnaces                    | <input type="checkbox"/> Maintenance / Repair               |
| <input type="checkbox"/> Antennas                    | <input type="checkbox"/> Hardware Wholesale          | <input type="checkbox"/> Packaging Machinery                |
| <input type="checkbox"/> Automobile Parts & Supplies | <input type="checkbox"/> Hot Tubs & Spas             | <input type="checkbox"/> Printing Equipment                 |
| <input type="checkbox"/> Cable Houses                | <input type="checkbox"/> Ice Making Equipment        | <input type="checkbox"/> Pumps                              |
| <input type="checkbox"/> Car Wash                    | <input type="checkbox"/> Industrial Measurement      | <input type="checkbox"/> Research & Development             |
| <input type="checkbox"/> Chemical Manufacturing      | <input type="checkbox"/> Irrigation                  | <input type="checkbox"/> Recreational Vehicles              |
| <input type="checkbox"/> Commercial Air Conditioning | <input type="checkbox"/> Laboratory Equipment        | <input type="checkbox"/> Solar Panels / Solar Power Systems |
| <input type="checkbox"/> Computer                    | <input type="checkbox"/> Lighting                    | <input type="checkbox"/> Steam Cleaning & Drying            |
| <input type="checkbox"/> Construction & Buildings    | <input type="checkbox"/> Machine Tool Manufacturers  | <input type="checkbox"/> Swimming Pools                     |
| <input type="checkbox"/> Consulting & Eng. Services  | <input type="checkbox"/> Manufacturers               | <input type="checkbox"/> Telephone / Telecom Equipment      |
| <input type="checkbox"/> Education & Consultant      | <input type="checkbox"/> Marine                      | <input type="checkbox"/> Trailer / Trucking                 |
| <input type="checkbox"/> Electric Equipment          | <input type="checkbox"/> Material Handling Equipment | <input type="checkbox"/> Transportation                     |
| <input type="checkbox"/> Electric Manufacturing      | <input type="checkbox"/> Medical Equipment           | <input type="checkbox"/> Utility & Other Energy Systems     |
| <input type="checkbox"/> Electronic Equipment        | <input type="checkbox"/> Military                    | <input type="checkbox"/> Water Treatment                    |
| <input type="checkbox"/> Farm Equipment              | <input type="checkbox"/> Mining Equipment            | <input type="checkbox"/> Wind Power Systems                 |
| <input type="checkbox"/> Food Processing             | <input type="checkbox"/> Molding Plastic             | <input type="checkbox"/> Wood Processing                    |
|  |  | <input type="checkbox"/> Other: _____                       |

Catalogs & Flyers Request:

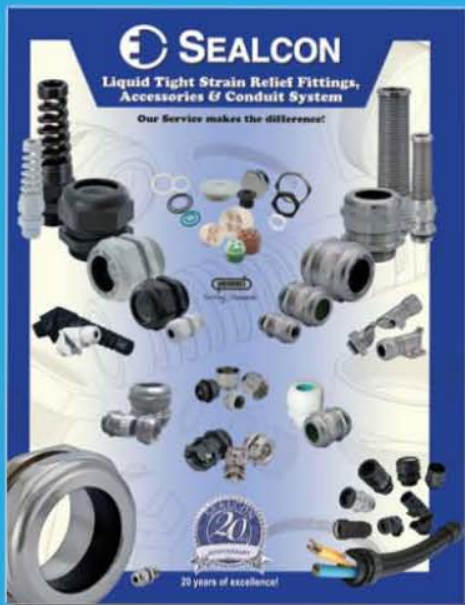
- |   |   |
|---|---|
| <input type="checkbox"/> Sealcon Strain Relief Fittings & Accessories | <input type="checkbox"/> Circular Connector Flyer             |
| <input type="checkbox"/> Circular Connectors Catalog                  | <input type="checkbox"/> M23 RJ45 - Industrial Ethernet Flyer |
| <input type="checkbox"/> Industrial Enclosures Catalog                | <input type="checkbox"/> Adapter, Reducer & Enlarger Flyer    |
| <input type="checkbox"/> European & Domestic Cable Catalog            | <input type="checkbox"/> Hensel - Industrial Enclosures Flyer |

Request for Quote/Samples:

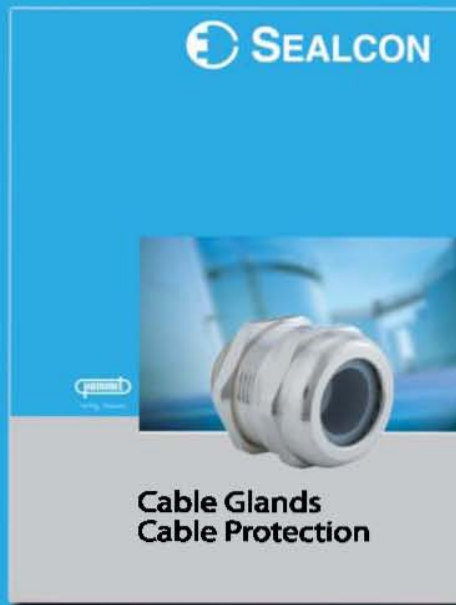
Part Number(s)	
Cable O.D.	
Quantity	
Application Comments	
Other Cable Management Needs	

(Sales will Call to Verify Sample)

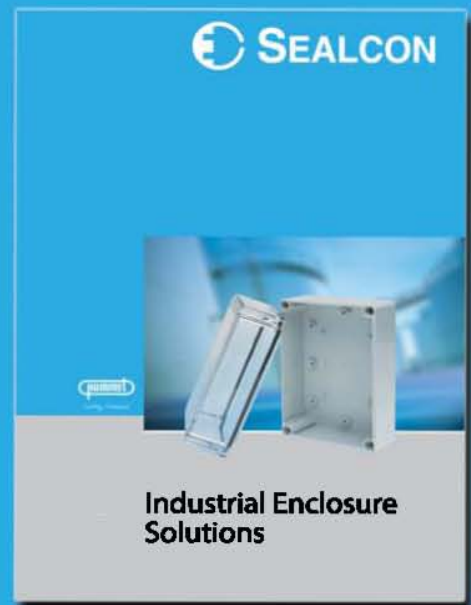
Complete form & fax back to 303-680-5344. Our Inside Technical Sales will process your requests in the order they were received.



Liquid Tight Strain Relief Fittings,  
Conduit Fittings & Accessories



Strain Relief Fittings &  
Accessories



Industrial Enclosures  
(Plastic / Metal)



European / Domestic Cable



Polycarbonate / Polystyrene  
& Aluminum Enclosures

**SEALCON**

*Committed To Excellence*

**HUMMEL**  
Setting Standards

14853 Hinsdale Ave.  
Centennial, CO 80112-4240 USA

Toll Free: 800-456-9012  
303-699-1135  
Fax: 303-680-5344

Email: [info@sealconusa.com](mailto:info@sealconusa.com)

Web: [www.sealconusa.com](http://www.sealconusa.com)