

SPECIFICATIONS:

Pressure rating:
150 PSIG (10 BAR) NEMA 4x and 6
(Submersible) IP 68

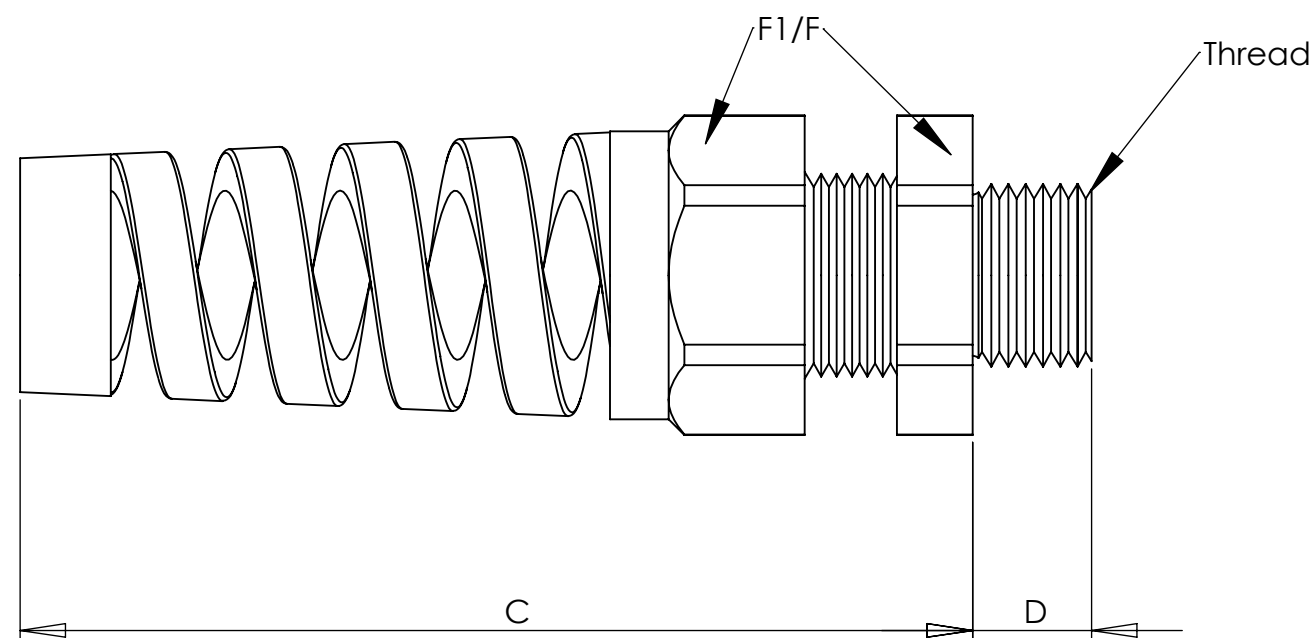
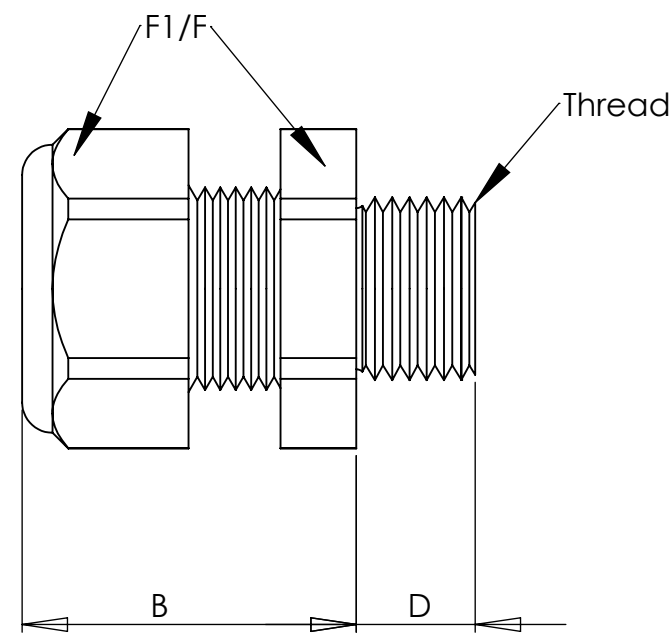
Materials:

Body & Dome Nut: Nylon 6/6
Form Seal: Buna-N
Optional O-Ring: Buna-N

Operating Temperature:

-40°F to 212°F (-40°C to 100°C)
Short Term: 248°F (120°C)

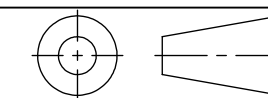
PART NUMBERS				CABLE RANGE	THREAD TYPE AND SIZE For thread specs see page 29	DIMENSIONS INCHES (MM)				
Dome Fittings		Flex Fittings				A Clearance Hole	B Body Length Dome	C Body Length Flex	D Thread Length	F ₁ /F Wrenching Flats
Black	Gray	Black	Gray	inches (mm)						
CD07GA-BK CD07GR-BK	CD07GA-GY CD07GR-GY	CF07GA-BK CF07GR-BK	CF07GA-GY CF07GR-GY	.16 - .31 (4 - 8) .08 - .24 (2 - 6)	PG 7 1/4" NPT	.49 (12.5)	.87 (22)	2.48 (63)	.31 (8)	.75 (19)
CD09GA-BK CD09GR-BK	CD09GA-GY CD09GR-GY	CF09GA-BK CF09GR-BK	CF09GA-GY CF09GR-GY	.20 - .39 (5 - 10) .11 - .27 (3 - 7)	PG 9	.60 (15.2)	.98 (25)	3.07 (78)	.31 (8)	.87 (22)
CD11GA-BK CD11GR-BK	CD11GA-GY CD11GR-GY	CF11GA-BK CF11GR-BK	CF11GA-GY CF11GR-GY	.24 - .47 (6 - 12) .20 - .35 (5 - 9)	PG 11	.73 (18.5)	.94 (24)	3.54 (90)	.31 (8)	.94 (24)
CD13GA-BK CD13GR-BK	CD13GA-GY CD13GR-GY	CF13GA-BK CF13GR-BK	CF13GA-GY CF13GR-GY	.39 - .55 (10 - 14) .27 - .47 (7 - 12)	PG 13.5	.80 (20.3)	1.10 (28)	3.94 (100)	.35 (9)	1.06 (27)
CD16GA-BK CD16GR-BK	CD16GA-GY CD16GR-GY	CF16GA-BK CF16GR-BK	CF16GA-GY CF16GR-GY	.51 - .71 (13 - 18) .35 - .63 (9 - 16)	PG 16	.88 (22.3)	1.22 (31)	4.49 (114)	.39 (10)	1.30 (33)



NOTES:

- 1) GENERAL DIMENSIONS DRAWINGS.
- 2) DIMENSIONS [] ARE IN INCHES.
- 3) DIMENSIONS NOTED ARE FOR REFERENCE ONLY.

Third angle projection



7374 S. EAGLE STREET
CENTENNIAL, CO 80112-4221 USA
TEL: +1-303-699-1135
TOLL FREE: +1-800-456-9012
E MAIL: info@sealconusa.com,
WEBSITE: www.sealconusa.com

