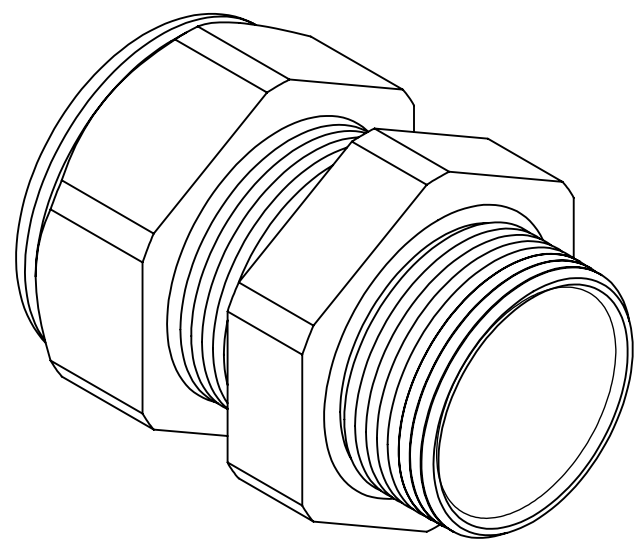


These fittings feature a form seal with flat opening to seal underground feeder (U/F) Romex® cable sizes AWG 14/2, 14/3, 12/2, 10/2 and non-metallic (N/M) Romex® cable sizes AWG 14/2, 12/2, 12/3 and 10/2. They are made of Nylon with a Buna-N form seal and are resistant to salt water, weak acids, weak alkalis, alcohol, ether, esters, ketones, mineral, animal and vegetable oils. The threads are 1/2" or 3/4" NPT. Non-corrosive and suitable for direct burial installations. These form seals fit strain relief fittings made of other materials (nickel plated brass, PVDF, etc.).

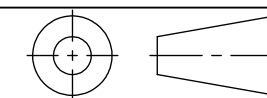
PART NUMBERS	COLOR	THREAD	SLOT SIZE	FITS U/F SIZES	FITS N/M SIZES
CD16NS-01	Black	1/2" NPT	.24 x .55	14/2, 12/2, 10/2	14/2, 14/3, 12/2, 12/3
CD16NS-02	Gray				
CD21NS-01	Black	3/4" NPT	.24 x .55	14/3, 12/3	12/2, 12/3, 10/2
CD21NS-02	Gray				
CD20MS-01	Black	M20 x 1.5	.24 x .55	14/2, 12/2, 10/2	14/2, 14/3, 12/2, 12/3
CD20MS-02	Gray				
CD25MS-01	Black	M25 x 1.5	.24 x .55	14/3, 12/3	12/2, 12/3, 10/2
CD25MS-02	Gray				



NOTES:

- 1) GENERAL DIMENSIONS DRAWINGS.
- 2) DIMENSIONS [] ARE IN INCHES.
- 3) DIMENSIONS NOTED ARE FOR REFERENCE ONLY.

Third angle projection



7374 S. EAGLE STREET
 CENTENNIAL, CO 80112-4221 USA
 TEL: +1-303-699-1135
 TOLL FREE: +1-800-456-9012
 E MAIL: info@sealconusa.com,
 WEBSITE: www.sealconusa.com

