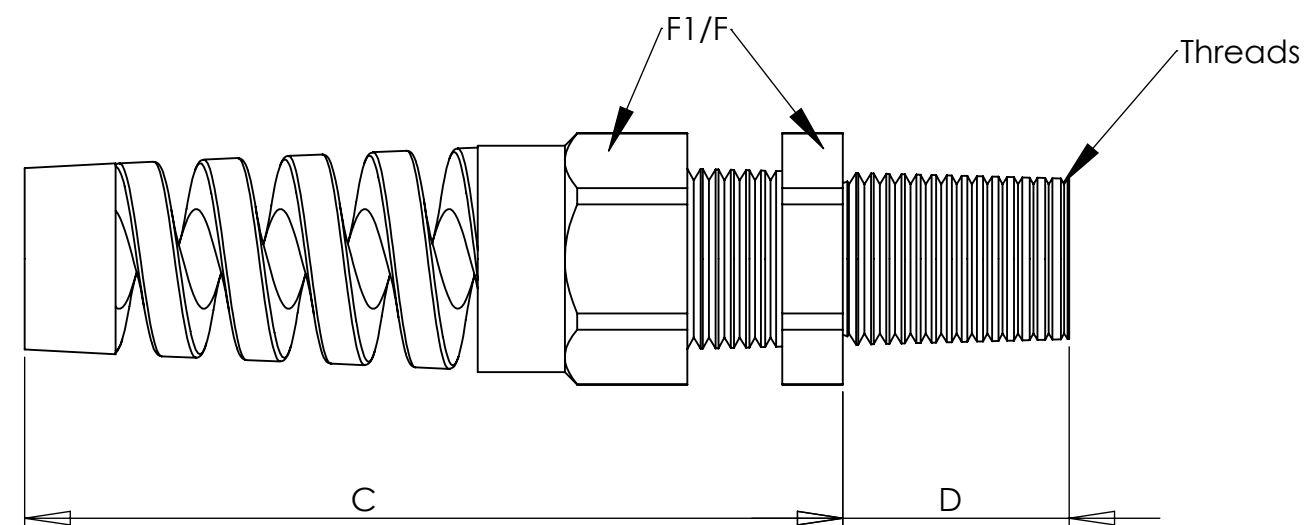
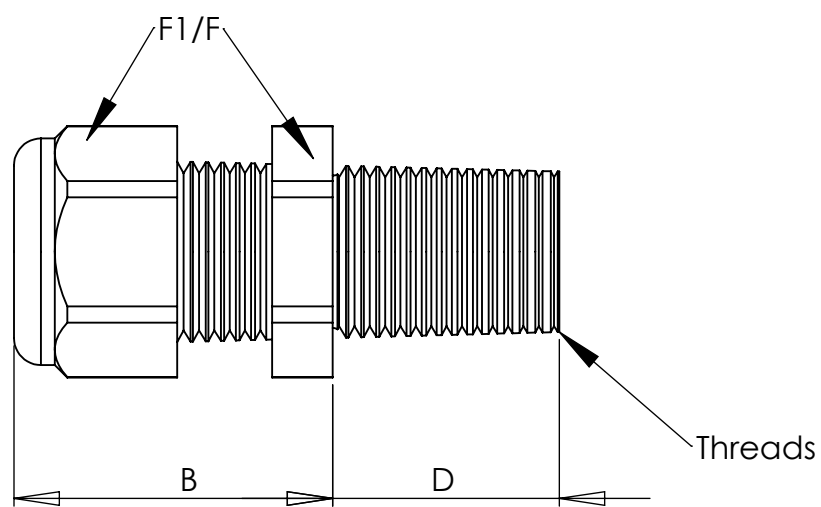


**SPECIFICATIONS:**  
 Pressure rating:  
 150 PSIG (10 BAR) NEMA 4x and 6  
 (Submersible) IP 68  
 Materials:  
 Body & Dome Nut: Nylon 6/6  
 Form Seal: Buna-N  
 Optional O-Ring: Buna-N

**Operating Temperature:**  
 -40°F to 212°F (-40°C to 100°C)  
 Short Term: 248°F (120°C)

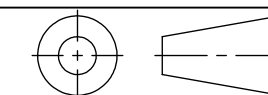


PART NUMBERS				CABLE RANGE inches (mm)	THREAD TYPE AND SIZE For thread specs see page 29	DIMENSIONS INCHES (MM)				
Dome Fittings		Flex Fittings				A Clearance Hole $+0.10^{\circ}$ 0	B Body Length Dome	C Body Length Flex	D Thread Length	F <sub>1</sub> /F Wrenching Flats
Black	Gray	Black	Gray							
CD12DA-BK CD12DR-BK	CD12DA-GY CD12DR-GY	CF12DA-BK CF12DR-BK	CF12DA-GY CF12DR-GY	.11 - .26 (3 - 6.5) .08 - .20 (2 - 5)	M12 x 1.5	.47 (12)	.83 (21)	2.13 (54)	.59 (15)	.59 (15)
CD16DA-BK CD16DR-BK	CD16DA-GY CD16DR-GY	CF16DA-BK CF16DR-BK	CF16DA-GY CF16DR-GY	.16 - .31 (4 - 8) .08 - .24 (2 - 6)	M16 x 1.5	.63 (16)	.87 (22)	2.48 (63)	.59 (15)	.75 (19)
CD17DA-BK CD17DR-BK	CD17DA-GY CD17DR-GY	CF17DA-BK CF17DR-BK	CF17DA-GY CF17DR-GY	.20 - .39 (5 - 10) .12 - .28 (3 - 7)	M16 x 1.5	.63 (16)	.98 (25)	3.07 (78)	.59 (15)	.87 (22)
CD20DA-BK CD20DR-BK	CD20DA-GY CD20DR-GY	CF20DA-BK CF20DR-BK	CF20DA-GY CF20DR-GY	.24 - .47 (6 - 12) .20 - .35 (5 - 9)	M20 x 1.5	.79 (20)	1.06 (27)	3.54 (90)	.59 (15)	.94 (24)
CD22DA-BK CD22DR-BK	CD22DA-GY CD22DR-GY	CF22DA-BK CF22DR-BK	CF22DA-GY CF22DR-GY	.39 - .55 (10 - 14) .28 - .47 (7 - 12)	M20 x 1.5	.79 (20)	1.10 (28)	3.94 (100)	.59 (15)	1.06 (27)
CD25DA-BK CD25DR-BK	CD25DA-GY CD25DR-GY	CF25DA-BK CF25DR-BK	CF25DA-GY CF25DR-GY	.51 - .71 (13 - 18) .35 - .63 (9 - 16)	M25 x 1.5	.98 (25)	1.22 (31)	4.49 (114)	.59 (15)	1.30 (33)
CD32DA-BK CD32DR-BK	CD32DA-GY CD32DR-GY			.71 - .98 (18 - 25) .51 - .79 (13 - 20)	M32 x 1.5	1.26 (32)	1.53 (39)	--	.59 (15)	1.65 (42)
CD40DA-BK CD40DR-BK	CD40DA-GY CD40DR-GY			.87 - 1.26 (22 - 32) .79 - 1.02 (20 - 26)	M40 x 1.5	1.57 (40)	1.89 (48)	--	.71 (18)	2.09 (53)
CD50DA-BK CD50DR-BK	CD50DA-GY CD50DR-GY			1.26 - 1.50 (32 - 38) .98 - 1.22 (25 - 31)	M50 x 1.5	1.97 (50)	1.93 (49)	--	.71 (18)	2.36 (60)
CD63DA-BK CD63DR-BK	CD63DA-GY CD63DR-GY			1.46 - 1.73 (37 - 44) 1.14 - 1.38 (29 - 35)	M63 x 1.5	2.48 (63)	1.93 (49)	--	.71 (18)	2.56(65)/ 2.68(68) 2.56(65)/ 2.68(68)

**NOTES:**

- 1) GENERAL DIMENSIONS DRAWINGS.
- 2) DIMENSIONS [ ] ARE IN INCHES.
- 3) DIMENSIONS NOTED ARE FOR REFERENCE ONLY.

Third angle projection



7374 S. EAGLE STREET  
 CENTENNIAL, CO 80112-4221 USA  
 TEL: +1-303-699-1135  
 TOLL FREE: +1-800-456-9012  
 E MAIL: [info@sealconusa.com](mailto:info@sealconusa.com),  
 WEBSITE: [www.sealconusa.com](http://www.sealconusa.com)

