

4

3

2

1

PART NUMBERS				CABLE RANGE inches (mm)	THREAD TYPE AND SIZE For thread specs see page 29	DIMENSIONS INCHES (MM)					
Dome Elbow Fittings		Flex Elbow Fittings				A Clearance Hole $+0.010''$ 0	B Body Length Dome	C Body Length Flex	D Height	E Thread Length	F Wrenching Flats
Black	Gray	Black	Gray								
ED16MA-BK ED16MR-BK	ED16MA-GY ED16MR-GY	EF16MA-BK EF16MR-BK	EF16MA-GY EF16MR-GY	.16-.31 (4-8) .08-.24 (2-6)	M16 x 1,5	.63 (16)	1.77 (45)	3.35 (85)	.91 (23)	.31 (8)	.75 (19)
ED20MA-BK ED20MR-B	ED20MA-GY ED20MR-GY	EF20MA-BK EF20MR-BK	EF20MA-GY EF20MR-GY	.24-.47 (6-12) .20-.35 (5-9)	M20 x 1,5	.79 (20)	2.24 (57)	4.68 (119)	1.20 (30.5)	.35 (9)	.94 (24)
ED25MA-BK ED25MR-BK	ED25MA-GY ED25MR-GY	EF25MA-BK EF25MR-BK	EF25MA-GY EF25MR-GY	.51-.71 (13-18) .35-.63 (9-16)	M25 x 1,5	.98 (25)	2.87 (73)	6.14 (156)	1.57 (40)	.43 (11)	1.30 (33)
ED32MA-BK ED32MR-BK	ED32MA-GY ED32MR-GY			.71-.98 (18-25) .51-.79 (13-20)	M32 x 1,5	1.26 (32)	3.58 (91)	--	2.03 (51)	.43 (11)	1.65 (42)

D

D

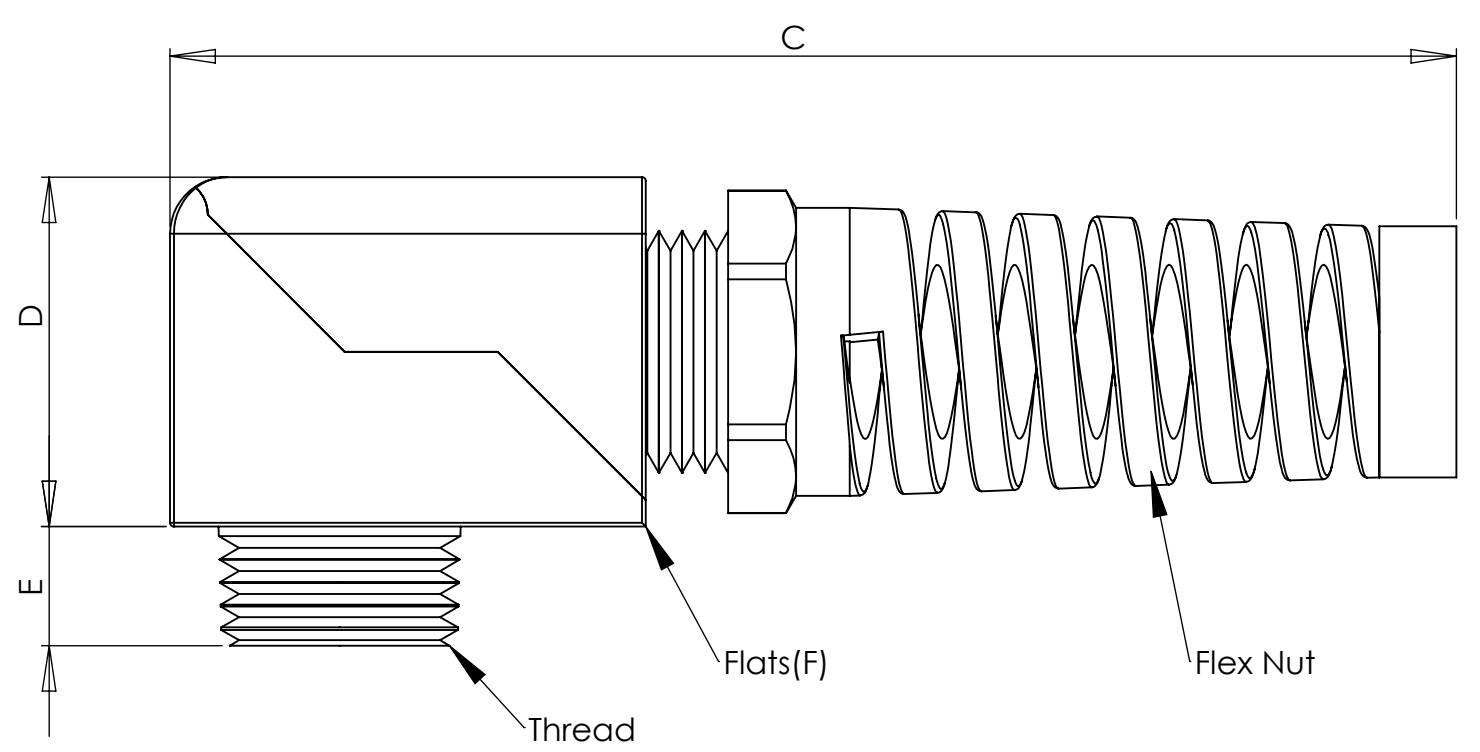
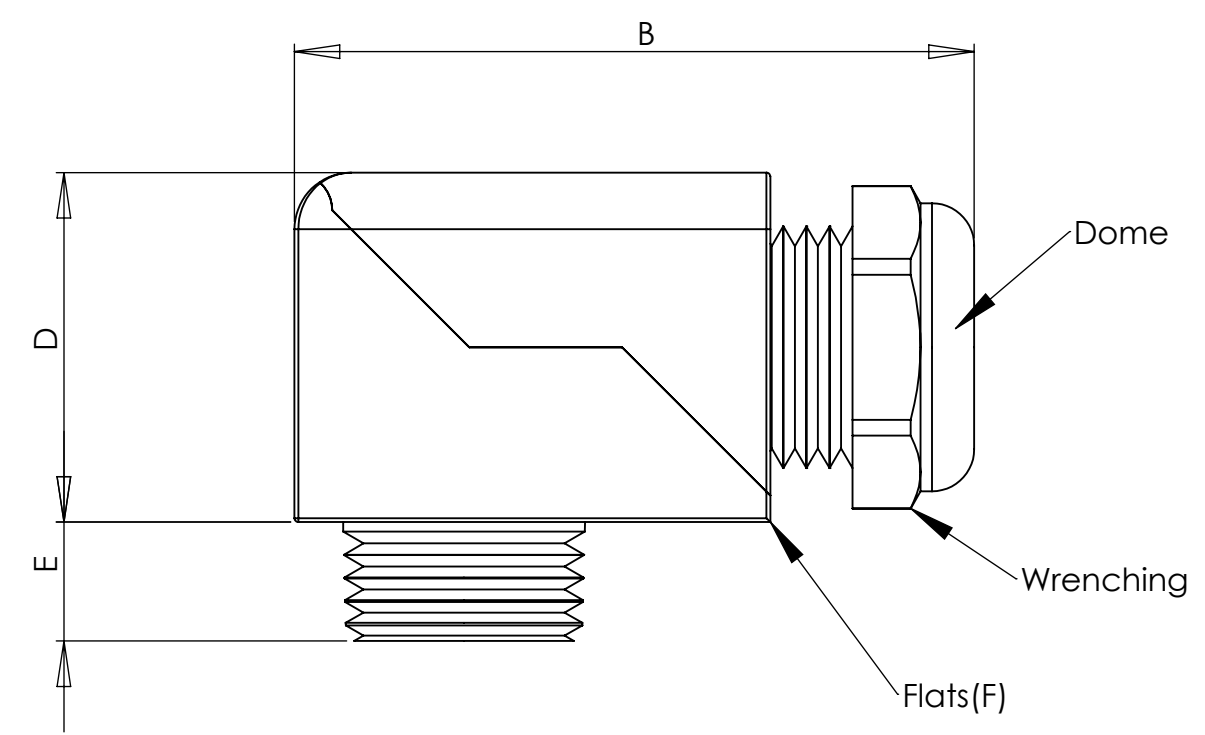
C

C

B

B

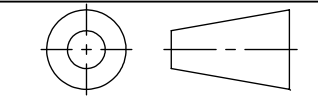
A



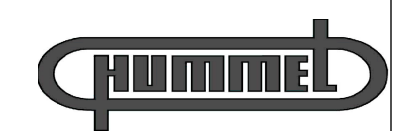
NOTES:

- 1) GENERAL DIMENSIONS DRAWINGS.
- 2) DIMENSIONS [ ] ARE IN INCHES.
- 3) DIMENSIONS NOTED ARE FOR REFERENCE ONLY.

Third angle projection



7374 S. EAGLE STREET  
 CENTENNIAL, CO 80112-4221 USA  
 TEL: +1-303-699-1135  
 TOLL FREE: +1-800-456-9012  
 E MAIL: [info@sealconusa.com](mailto:info@sealconusa.com) ,  
 WEBSITE: [www.sealconusa.com](http://www.sealconusa.com)



4

3

2