

SEALCON

SPECIFICATIONS:

Pressure rating:

IP 65 NEMA 4x, 70 PSIG (5 BAR)

IP 68 possible with Ideal Fit & O-Ring (Customer Tested)

Materials:

Body, Dome Nut: Nylon

Spring (Flex extension): Stainless Steel

Splined Bushing: Nylon 6/6

Form Seal & O-Ring: Buna-N (Viton® optional)

Operating Temperature:

-40°F to 212°F (-40°C to 100°C)

Short term exposure: 248°F (120°C)

Note 1: To Substitute a different thread type replace the 5th position with the following: "A" PG Thread, "N" NPT Thread, "M" Metric Thread. e.g. CD09N1-BK becomes CD09A1-BK.

Note 2: Not available in Nickel Plated Brass with NPT Threads

To Specify Non-Listed Parts:

• **Strain Relief Fittings with Flex Nut**

Substitute "F" for "D" e.g. CD09N1-BK becomes CF09N1-BK.

• **Snap Elbow Fittings with Dome Nut**

Substitute "E" for "C" e.g. CD09N1-BK becomes ED09N1-BK.

• **Snap Elbow Fittings with Flex Nut**

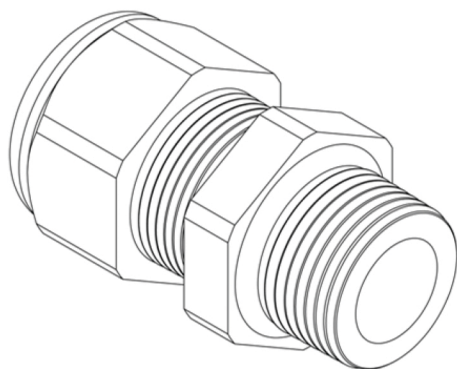
Substitute "EF" for "CD" e.g. CD09N1-BK becomes EF09N1-BK.

• **Nickel Plated Brass Strain Relief Fittings**

Substitute "BR" for "BK" e.g. CD09N1-BK becomes CD09N1-BR.

• **Gray Strain Relief Fittings**

Substitute "GY" for "BK" e.g. CD09N2-BK becomes CD09N2-GY.



Part Numbers		Thread Type & Size	Dimensions in Inches (mm)				
-40°F to 212°F (-40°C to 100°C)			No. of Holes	Diameter of Holes		Part Numbers of Inserts Only	
Black	Gray	mm		Inches			
CD12MP-BK	CD12MP-GY	M12 X 1.5	Solid Insert			1.089.0799.19	
CD16M1-BK	CD16M1-GY	M16 X 1.5	4	1.4	.06	1.089.0900.19	
CD16M2-BK	CD16M2-GY		2	3.0	.12	1.089.0901.19	
CD16M3-BK	CD16M3-GY		5	1.6	.06	1.089.0902.19	
CD16M4-BK	CD16M4-GY		2	1.7	.07	1.089.0903.19	
CD16M5-BK	CD16M5-GY		10	1.4	.06	1.089.0904.19	
CD16M6-BK	CD16M6-GY		6	1.4	.06	1.089.0905.19	
CD16M7-BK	CD16M7-GY		3	17	.07	1.089.0906.19	
CD16M8-BK	CD16M8-GY		4	1.7	.07	1.089.0907.19	
CD16M9-BK	CD16M9-GY		4	2.3	.09	1.089.0908.19	
CD16MP-BK	CD16MP-GY		Solid Insert			1.089.0999.19	
CD17M1-BK	CD17M1-GY	M16 X 1.5 (Enlarged)	2	3.0	.12	1.089.1100.19	
CD17M2-BK	CD17M2-GY		3	3.0	.12	1.089.1101.19	
CD17M3-BK	CD17M3-GY		2	4.0	.16	1.089.1102.19	
CD17M4-BK	CD17M4-GY		3	1.5	.06	1.089.1103.19	
CD17M5-BK	CD17M5-GY		4	2.8	.11	1.089.1104.19	
CD17MP-BK	CD17MP-GY		Solid Insert			1.089.1199.19	
CD20M1-BK	CD20M1-GY	M20 X 1.5	3	2.0	.08	1.089.1300.19	
CD20M2-BK	CD20M2-GY		6	3.0	.12	1.089.1301.19	
CD20M3-BK	CD20M3-GY		3	4.0	.16	1.089.1302.19	
CD20M4-BK	CD20M4-GY		2	5.0	.20	1.089.1303.19	
CD20M5-BK	CD20M5-GY		3	3.0	.12	1.089.1304.19	
CD20M6-BK	CD20M6-GY		2	5.2	.20	1.089.1305.19	
CD20M7-BK	CD20M7-GY		2	3.8	.15	1.089.1306.19	
CD20M8-BK	CD20M8-GY		2	4.2	.17	1.089.1307.19	
CD20M9-BK	CD20M9-GY		2	2.5	.10	1.089.1308.19	
CD20MP-BK	CD20MP-GY		Solid Insert			1.089.1399.19	
CD22M1-BK	CD22M1-GY		M20 X 1.5 (Enlarged)	3	3.0	.12	1.089.1600.19
CD22M2-BK	CD22M2-GY			3	4.0	.16	1.089.1601.19
CD22M3-BK	CD22M3-GY	4		4.0	.16	1.089.1602.19	
CD22M4-BK	CD22M4-GY	5		4.0	.16	1.089.1603.19	
CD22M5-BK	CD22M5-GY	6		4.0	.16	1.089.1604.19	
CD22M6-BK	CD22M6-GY	2		6.0	.24	1.089.1605.19	
CD22M7-BK	CD22M7-GY	3		5.6	.22	1.089.1606.19	
CD22M8-BK	CD22M8-GY	6		3.0	.12	1.089.1607.19	
CD22M9-BK	CD22M9-GY	*4		3.0	.12	*1.089.1610.19	
CD22M0-BK	CD22M0-GY	6		3.8	.15	1.089.1909.19	
CD22MP-BK	CD22MP-GY	Solid Insert			1.089.1699.19		

Part Numbers		Thread Type & Size	Dimensions in Inches (mm)			
-40°F to 212°F (-40°C to 100°C)			No. of Holes	Diameter of Holes		Part Numbers of Inserts Only
Black	Gray	mm		Inches		
CD25M1-BK	CD25M1-GY	M25 X 1.5	4	6.0	.24	1.089.2100.19
CD25M2-BK	CD25M2-GY		3	7.0	.28	1.089.2101.19
CD25M3-BK	CD25M3-GY		2	8.0	.31	1.089.2102.19
CD25M4-BK	CD25M4-GY		4	5.0	.20	1.089.2103.19
CD25M5-BK	CD25M5-GY		1	8.0	.31	1.089.2104.19
CD25M6-BK	CD25M6-GY		4	5.2	.20	1.089.2105.19
CD25M7-BK	CD25M7-GY		3	5.2	.20	1.089.2106.19
CD25M8-BK	CD25M8-GY		4/1	5.2/3.7	.20/.15	1.089.2107.19
CD25M9-BK	CD25M9-GY		2	7.4	.29	1.089.2108.19
CD25MP-BK	CD25MP-GY		Solid Insert			1.089.2199.19
CD32M1-BK	CD32M1-GY	M32 X 1.5	6	6.5	.26	1.089.2900.19
CD32M2-BK	CD32M2-GY		4	9.0	.35	1.089.2901.19
CD32M3-BK	CD32M3-GY		4	9.5	.37	1.089.2902.19
CD32MP-BK	CD32MP-GY		Solid Insert			1.089.2999.19
CD40M1-BK	CD40M1-GY	M40 X 1.5	5	9.0	.35	1.089.3600.19
CD40M2-BK	CD40M2-GY		7	9.0	.35	1.089.3601.19
CD40M3-BK	CD40M3-GY		6	8.0	.31	1.089.3602.19
CD40M4-BK	CD40M4-GY		2	15.0	.59	1.089.3603.19
CD40MP-BK	CD40MP-GY		Solid Insert			1.089.3699.19
CD50M1-BK	CD50M1-GY	M50 X 1.5	3	14.0	.55	1.089.4203.19
CD50MP-BK	CD50MP-GY		Solid Insert			1.089.4299.19
CD63M1-BK	CD63M1-GY	M63 X 1.5	8	10.0	.39	1.089.4800.19
CD63M2-BK	CD63M2-GY		6	12.0	.47	1.089.4801.19
CD63M3-BK	CD63M3-GY		3	18.0	.71	1.089.4802.19
CD63MP-BK	CD63MP-GY		Solid Insert			1.089.4899.19

NOTES:

- 1) GENERAL DIMENSIONS DRAWINGS.
- 2) DIMENSIONS [] ARE IN INCHES.
- 3) DIMENSIONS NOTED ARE FOR REFERENCE ONLY.

Third angle projection		
7374 S. Eagle Street Centennial, CO 80112		
800-456-9012 Toll Free		
303-699-1135 Phone		
www.sealconusa.com		
info@sealconusa.com		