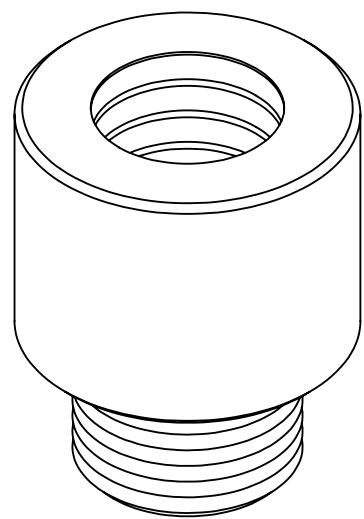


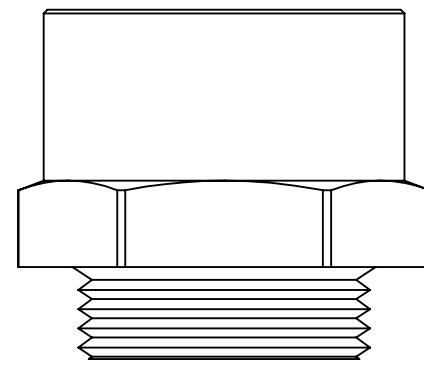
SPECIFICATIONS
MATERIALS:
Nickel Plated Brass
-40°F to 212°F
(-40°C to 100°C)

PART NUMBER	MATERIAL	TYPE	MALE THREAD A	FEMALE THREAD B	WRENCHING FLATS W	HEIGHT H	THREAD LENGTH T
EN-1234-BR EN-1210-BR	BRASS	C	1/2" NPT 1/2" NPT	3/4" NPT 1" NPT	1.10 (28) 1.36 (34.5)	1.50 (38) 1.75 (44.5)	.79 (20) .79 (20)
EN-3410-BR EN-1054-BR	BRASS	C	3/4" NPT 1" NPT	1" NPT 1-1/4" NPT	1.38 (35) 1.73 (44)	1.69 (43) 1.97 (50)	.71 (18) .94 (24)
EM-1216-BK EM-1620-BK	NYLON	A	M12 x 1,5 M16 x 1.5	M16 x 1,5 M20 x 1,5	.83 (21) .98 (25)	.47 (12) .51 (13)	.31 (8) .31 (8)
EM-2025-BK	NYLON	A	M20 x 1.5	M25 x 1,5	1.18 (30)	.59 (15)	.31 (8)
EM-2532-BK EM-3240-BK	NYLON	C	M25 x 1.5 M32 x 1.5	M32 x 1,5 M40 x 1,5	NA NA	.59 (15) .77 (19.5)	.59 (15) .59 (15)
EM-4050-BK EM-5063-BK	NYLON	C	M40 x 1.5 M50 x 1.5	M50 x 1,5 M63 x 1,5	NA NA	.77 (19.5) .78 (20)	.59 (15) .59 (15)

TYPE - C



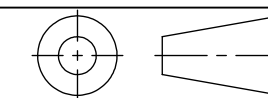
TYPE - A



NOTES:

- 1) GENERAL DIMENSIONS DRAWINGS.
- 2) DIMENSIONS [] ARE IN MILLIMETER.
- 3) DIMENSIONS NOTED ARE FOR REFERENCE ONLY.

Third angle projection



7374 S. EAGLE STREET
CENTENNIAL, CO 80112-4221 USA
TEL: +1-303-699-1135
TOLL FREE: +1-800-456-9012
E MAIL: info@sealconusa.com,
WEBSITE: www.sealconusa.com

