






# POLYCARBONATE ENCLOSURE

## SIZE 4 X 4 X 3 INCH

### 4 x 4 x 3 Inch Enclosure in Brief:

- Best material – bases, opaque covers and clear covers are all made of high-impact, UV resistant polycarbonate
- Easy ordering – One part number equals one completely assembled enclosure
- Super easy use – mounting flanges, so no extra hardware needed
- Flexible Interior Mounting – bosses on rear wall and lid of opaque enclosure provide multiple mounting options for din rail, back panels, or other components
- Advanced face plate mounting system
- Secure – Choose your level of protection: pad lockable, tamper screw or tamper tag capable
- Frequency Friendly – Available with absolutely no metals of any kind on the enclosure which is extremely favorable for sending and receiving wireless signals UL-50 / c-UL Listed (file # E207562)

Features like extremely durable, UV resistant, wide temperature range, easy to machine, lighter than other non-metallic or metal materials, the “Made in USA” enclosures provide great value to any application.

Conformity	
Polycarbonate Enclosures:	    
Technical information	
Instrumented Dart Impact @ 73° F	Inch / Pound 565
Falling Ball Impact @ 73° F	UL-746 Inch / Pound 900
Deflection Temperature @ 264 psi	ASTM D648 Degrees F 270
Modulus of Elasticity	rn ASTM D790 ksi 340
Temperature Range	Degrees F -40 to 265
Flame Rating - UL	UL 94 - 5VA
Outdoor UV Exposure	UL - f1
UL/C-UL-50 listed	(files #E207562)
Material	
Base:	Polycarbonate Enclosure
Cover:	Polycarbonate Hinged Cover
Cover Screws:	Fiberglass Reinforced Polyamide
Enclosure side types	
Polycarbonate enclosures:	
Standard color	
Base:	Light Gray in Color With High Gloss Finish
Cover:	Opaque or Clear



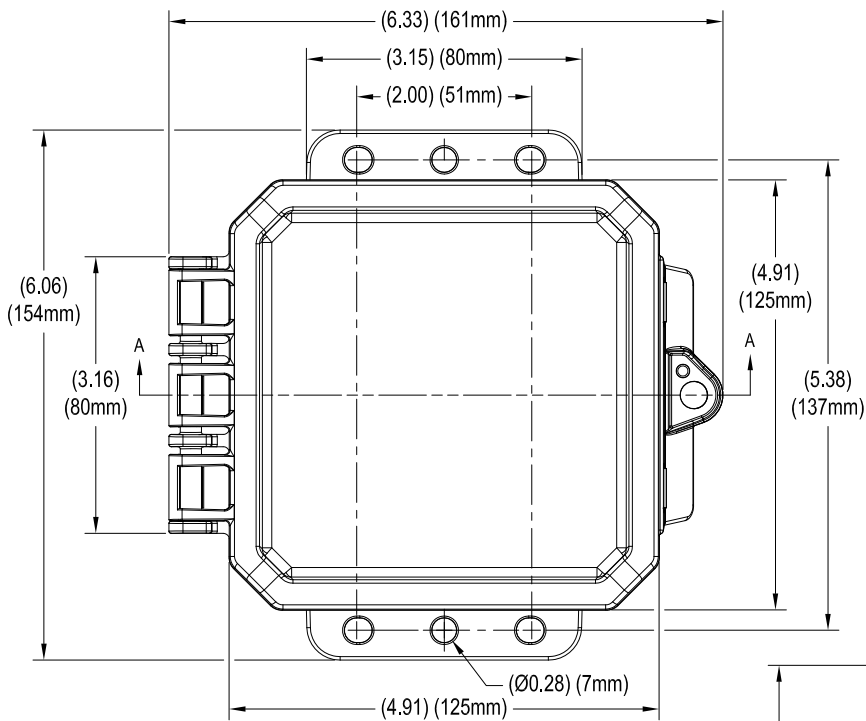
### Sealcon 4 x 4 x 3 INCH Enclosure

S4043 P/N	4X IP66	6P IP68	Clear Cover	Opaque Cover	Integrated Mounting Flange	Standard Hinge	Low Profile Hinge	Integrated Locking Latch	Stainless Steel Locking Latch	Non-Metallic Locking Latch	Face Plate Mtg System*
SP4043	✓	✓		✓	✓	✓		✓			✓
SP4043C	✓	✓	✓		✓	✓		✓			✓
SP4043LL	✓			✓		✓			✓		✓
SP4043CLL	✓		✓			✓			✓		✓
SP4043LP	✓	✓		✓	✓		✓	✓			✓
SP4043LPC	✓	✓	✓		✓		✓	✓			✓
SP4043LPLL	✓			✓			✓		✓		✓
SP4043LPCLL	✓		✓				✓		✓		✓
SP4043NL	✓			✓		✓				✓	✓
SP4043CNL	✓		✓			✓				✓	✓
SP4043LPNL	✓			✓			✓			✓	✓
SP4043LPCNL	✓		✓							✓	✓

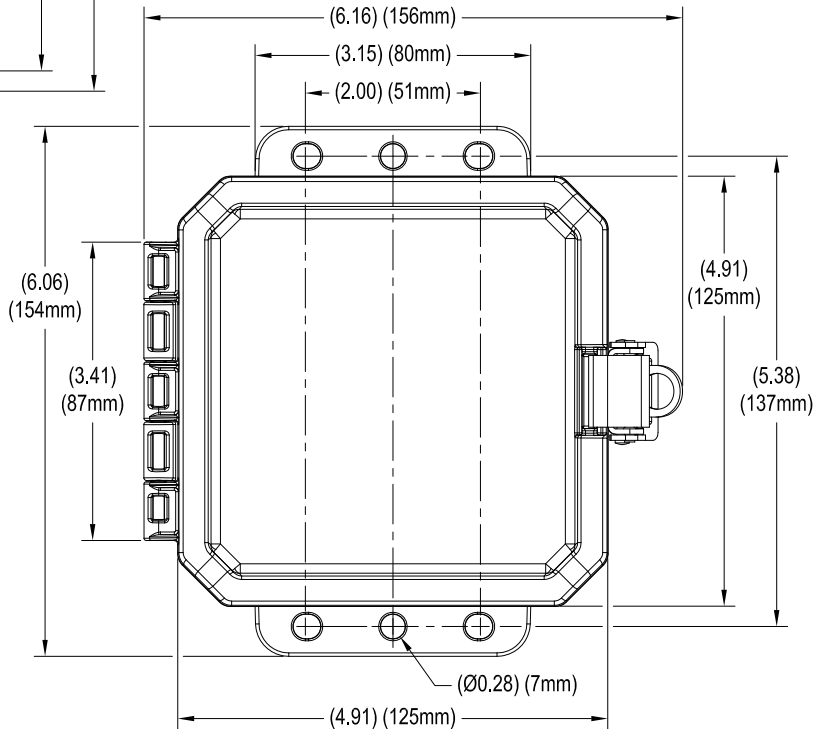
\*Sold separately

TORQUE SPECIFICATIONS - Mounting Brackets - 1/4"-20 x 0.25 SS, countersunk Phillips drive screws (torque limit = 20 in-lbs.) | Covers / Doors - Torque for corner screws is 10 in-lbs.





**Customized Solutions**  
 With our extensive supply of cable management products, we can craft a solution tailored to your specific requirements. Place your customized order with us today!

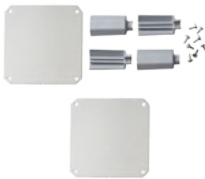


**Top-Notch Customer Service**  
[www.SealconUSA.com](http://www.SealconUSA.com)  
 303-699-1135  
 800-456-9012

**Accessories for 4x4x3 Inch**



**Air Vents**  
**SVENT-3** - Aluminum louvered  
**SVENT-2** - Outdoor labyrinth



**Steel Face Plate System**  
**SSFPK44-IMP** - Steel face plate and SFPSK-44 mounting kit  
**SFPSK-44** - mounting kit  
**SSFP44-IMP** - Steel face panel only



**Aluminum Face Plate System**  
**SAFPK44-IMP** - Aluminum face plate and FPSK-44 mounting kit  
**SAFP44-IMP** - Aluminum face panel only



**Din Rail**  
**SDIN4-IMP** - 2 rails, 4 screws



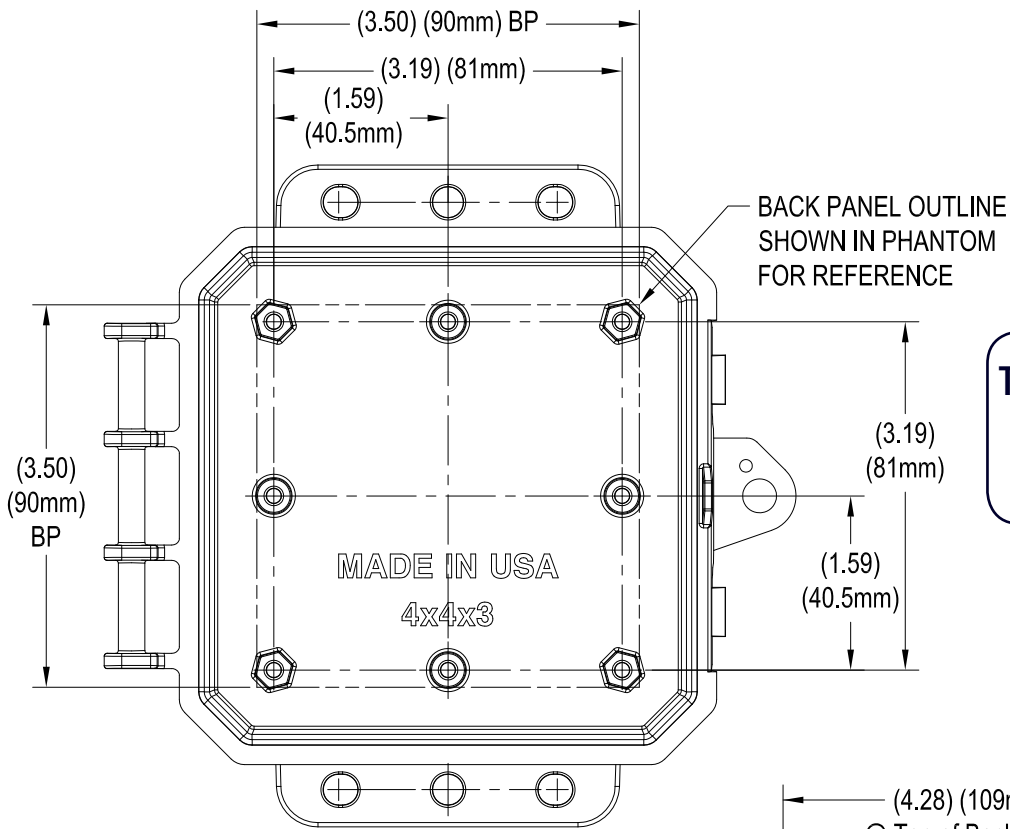
**Pole Mounting Kits**  
**SPMKG-24-IMP** - 2" pole  
**SPMKG-34-IMP** - 3" pole  
**SPMKG-44-IMP** - 4" pole  
**SPMKG-124-IMP** - 12" pole



**Back Panels**  
**SABP44-IMP** - Aluminum panel  
**SSBP44-IMP** - Steel panel  
**SPVCBP44-IMP** - PVC panel



**Face Plate Support Kit**  
**SCB44-IMP** - Support kit contains 4 support panels and 8 screws.



**Top-Notch Customer Service**  
[www.SealconUSA.com](http://www.SealconUSA.com)  
 303-699-1135  
 800-456-9012

**Large Inventory**  
 With our readily accessible inventory, you can rest assured that your order will ship quickly and without delay--minimizing any downtime. Experience the Sealcon difference!

