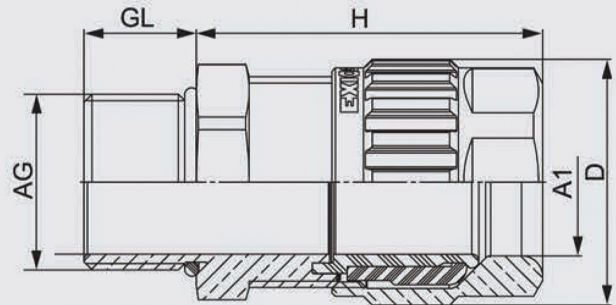


### Type: EXIOS A2F

### Materials and Technical Data

Material	brass, stainless steel on request
Seals / O-Rings	silicone, VMQ
Clamping insert	PA 6
Temperature Range	-60° C – 105° C (-76 °F – 221 °F)
Protection	IP 66, 67 and 68 (5 bar)
Certificate	IECEX DEK 12.0039X DEKRA 12 ATEX 0139X CSA 2557737



### Metric brass

Number	Gland Size	AG	⌀ mm	D mm	H max.	GL mm	⌀ A1 mm
YA16MK-BB	20 – 1	M16x1,5	22	27	35,6	16	6 – 12
YA20MK-BB	20 – 1	M20x1,5	22	27	35,6	16	6 – 12
YA20MM-BB	20 – 2	M20x1,5	24	29	39,7	16	9 – 16
YA25MK-BB	20 – 3	M25x1,5	30	35	47,5	16	12,5 – 20,5
YA32MK-BB	25	M32x1,5	36	42	47,8	16	16,9 – 26
YA40MK-BB	32	M40x1,5	46	52	51,1	16	22 – 33
YA50MK-BB	40	M50x1,5	55	64	56,8	16	28 – 41
YA63MK-BB	50	M63x1,5	65	73	65,4	16	40 – 52,6
YA75MK-BB	63	M75x1,5	80	90	70,3	16	51 – 65,3
YA90MK-BB	75	M90x2,0	95	107	76,2	20	62 – 78

### NPT brass

Number	Gland Size	AG	⌀ mm	D mm	H max.	GL mm	⌀ A1 mm
YA09NK-BB	20 – 1	NPT 3/8"	22	27	35,6	16	6 – 12
YA13NK-BB	20 – 1	NPT 1/2"	22/24	27	35,6	20	6 – 12
YA13NM-BB	20 – 2	NPT 1/2"	24	29	39,7	20	9 – 16
YA21NK-BB	20 – 3	NPT 3/4"	30	35	47,5	20,5	12,5 – 20,5
YA29NK-BB	25	NPT 1"	36	42	47,8	25	16,9 – 26
YA29LK-BB	32	NPT 1 1/4"	46	52	51,1	26	22 – 33
YA36NK-BB	40	NPT 1 1/2"	55	64	56,8	26,5	28 – 41
YA50NK-BB	50	NPT 2"	65	73	65,4	27	40 – 52,6
YA52NK-BB	63	NPT 2 1/2"	80	90	70,3	40	51 – 61
YA30NK-BB	75	NPT 3"	95	107	76,2	41,5	62 – 78