

# MOST COMMON PARTS

| FAST#    | MFG#      |
|----------|-----------|
| 99559586 | CD09NA-BK |
| 07005265 | CD09NR-BK |
| 99559599 | CD13NA-BK |
| 99559603 | CD13NR-BK |
| 99559611 | CD16NA-BK |
| 99559614 | CD21NA-BK |
| 99559615 | CD21NR-BK |
| 99729847 | NN-09-BK  |
| 99559646 | NN-13-BK  |
| 99559648 | NN-21-BK  |
| 99559664 | OR-18-BN  |
| 99559665 | OR-34-BN  |
| 99729854 | OR-38-BN  |

Standard



These 12+ Products are the most frequently ordered.

Get customers to:  
**FASTBin or FASTStock**

Operating Temperature  
-40°C to 100°C (-40°F to 212°F)



Buna-N  
O-Ring



Reduced



Locking  
Nut



## Need Kitted Parts?



+



Locking  
Nut

+



Buna-N  
O-Ring

=

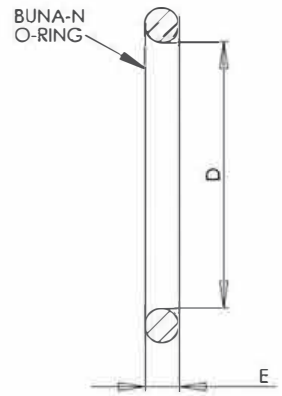
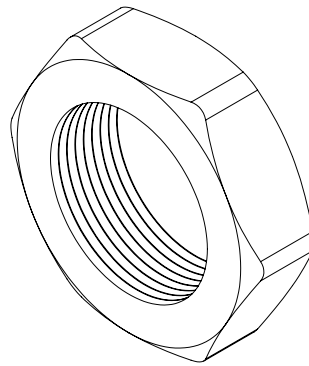
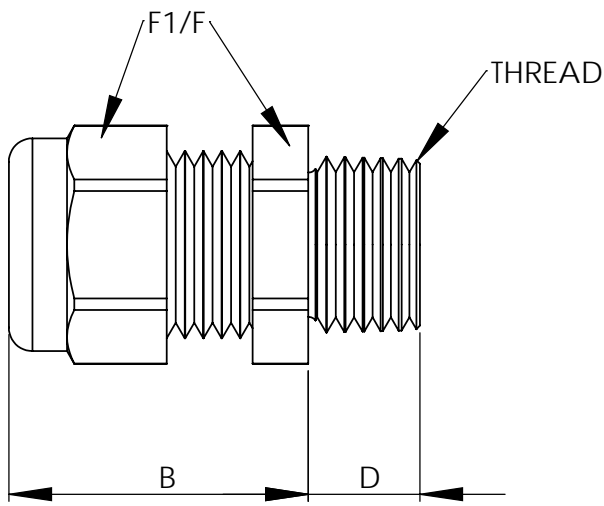
**Your  
Kitted  
Part**

All Together  
in a Bag

## LEADER IN PRODUCTS FOR ELECTRICAL COMPONENTS

- 3,500 parts on Fastenal's Website to choose from
- 6,000 Parts on Sealcon Website





FKM and Silicone O-Rings Also Available

| FAST #   | MFG #     | CABLE RANGE         | THREAD TYPE AND SIZE | A CLEARANCE HOLE | B BODY LENGTH | C BODY LENGTH | D THREAD LENGTH | F1/F WRENCHING FLATS |
|----------|-----------|---------------------|----------------------|------------------|---------------|---------------|-----------------|----------------------|
| 99559586 | CD09NA-BK | .16 - .31 (4 - 8)   | 3/8" NPT             | .68 (17.2)       | .87 (22)      | 2.48 (63)     | .59 (15)        | .87(22) / .75(19)    |
| 07005265 | CD09NR-BK | .08 - .24 (2 - 6)   | 3/8" NPT             | .68 (17.2)       | .87 (22)      | 2.48 (63)     | .59 (15)        | .87(22) / .75(19)    |
| 99559599 | CD13NA-BK | .24 - .47 (6 - 12)  | 1/2" NPT             | .83 (21.1)       | 1.06 (27)     | 3.54 (90)     | .51 (13)        | .94 (24)             |
| 99559603 | CD13NR-BK | .20 - .35 (5 - 9)   | 1/2" NPT             | .83 (21.1)       | 1.06 (27)     | 3.54 (90)     | .51 (13)        | .94 (24)             |
| 99559611 | CD16NA-BK | .39 - .55 (10 - 14) | 1/2" NPT             | .83 (21.1)       | 1.10 (28)     | 3.94 (100)    | .51 (13)        | 1.06 (27)            |
| 99559614 | CD21NA-BK | .51 - .71 (13 - 18) | 3/4" NPT             | 1.05 (26.7)      | 1.22 (31)     | 4.49 (114)    | .55 (14)        | 1.30 (33)            |
| 99559615 | CD21NR-BK | .35 - .63 (9 - 16)  | 3/4" NPT             | 1.05 (26.7)      | 1.22 (31)     | 4.49 (114)    | .55 (14)        | 1.30 (33)            |

| FAST #   | MFG #    | THREAD TYPE AND SIZE | G THICKNESS | H WRENCHING FLATS |
|----------|----------|----------------------|-------------|-------------------|
| 99729847 | NN-09-BK | 3/8" NPT             | .27 (7)     | .94 (24)          |
| 99559646 | NN-13-BK | 1/2" NPT             | .24 (6)     | 1.18 (30)         |
| 99559648 | NN-21-BK | 3/4" NPT             | .27 (7)     | 1.26 (32)         |

| FAST #   | MFG #    | THREAD TYPE AND SIZE | INNER DIAMETER | HEIGHT    |
|----------|----------|----------------------|----------------|-----------|
| 99559664 | OR-18-BN | 1/2" NPT             | .75 (19)       | .07 (1.8) |
| 99559665 | OR-34-BN | 3/4" NPT             | .91 (23)       | .10 (2.5) |
| 99729854 | OR-38-BN | 3/8" NPT             | .51 (13)       | .08 (2)   |